

G. BENTSEN

HARDWARE MANUAL
NORD 1

Div.

TABLE OF CONTENTS

TITLE	CARD NO.	DRWG. NO.
CARD POSITIONS IN CPU NO. 29		
CARD POSITIONS IN CPU NO. 35		
ONE BIT OF DATA-REGISTER		2B11
NORD 90 CARDS IN NORD-1		2B01
90N04		
BUS MEMORY	101	2A01
REGISTER I	102	2A02
ARITHMETIC	103	2A03
INTERRUPT REGISTERS	106	2A06
REGISTER II	108	2A08
REGISTER CONTROL	109	2A09
PANEL BUFFER	110	2A10
ARITHMETIC CONTROL	115	2A15
I/O CONTROL	120/II	2A20/II
ASSEMBLER	122	2A22
CYCLE COUNTER	123	2A23
COUNTER CONTROL	124	2A24
SHIFT COUNTER	125	2A25
SHIFT CONTROL	126	2A26
CONTROL FLIP-FLOPS	127	2A27
PROTECTION CHECK	128	2A28
ADDRESSING CONTROL	130	2A30
ADDRESSING CONTROL	131	2A31
INTERRUPT CONTROL	132	2A32
BIT INSTRUCTION	133	2A33
FLOATING CONTROL	134	2A34
FLOATING CONTROL	135	2A35
FLOATING CONTROL	136	2A36
FLOATING CONTROL	137	2A37

TITLE	CARD NO.	DRWG. NO.
LAMP REGISTER	140	2A40
PROTECTION	141	2A41
REGISTER TRANSFER	146	2A46
REGISTER	150	2A50
TIME COUNTER	151	2A51
TELETYPE CONTROL	157	2A57
MEMORY BUFFER	158/II	2A58/II
MEMORY OR	159	2A59
SIMPLEX CONTROL	160	2A60
I/O OUTPUT AND CLOCK	163	2A63
READER BUFFER	164	2A64
I/O INPUT	165	2A65
I/O OUTPUT	166	2A66
CHANNEL INTERFACE	168	2A68
CAMBRIDGE CONTROL	169	2A69
DUPLEX BUFFER	170	2A70
PUNCH BUFFER	179	2A79
I/O OUTPUT	184	2A84
LINE DRIVER/RECEIVER	185	2A85
I/O DATA BOARD	186	2A86
I/O INPUT	187	2A87
INTERFACE BUFFER/CABLE	189	2A89
CABLE CARD	190	2A90
I/O EXPANDER	191	2A91
MEMORY BUFFER DRIVER	194	2A94

--00000--

CARD POSITIONS IN CPU NO. 29

CARD NO.	POS.	CARD NO.	POS.	CARD NO.	POS.
90N40.1	D07	110.1	C32	141.1	C03
90N40.2	D06	113.1	D27	*145.1	D28
101.1	C25	115.1	D10	146.1	D16
101.2	C21	120.1	D19	150.1	C09
101.3	C17	122.1	D18	151.1	C01
101.4	C13	123.1	D02	158.1	C29
102.1	C23	124.1	D03	158.2	C28
102.2	C19	125.1	D01	158.3	C27
102.3	C15	126.1	D11	158.4	C26
102.4	C11	127.1	D04	159.1	C30
103.1	C24	128.1	C02	160.1	D26
103.2	C20	130.1	D09	160.2	D31
103.3	C16	131.1	D05	160.3	D29
103.4	C12	132.1	C04	163.1	D20
106.1	C06	133.1	D17	164.1	D25
106.2	C05	134.1	D12	165.1	D23
108.1	C22	135.1	D13	165.2	D24
108.2	C18	136.1	D14	166.1	D21
108.3	C14	137.1	D15	166.2	D22
108.4	C10	140.1	C08	170.1	D30
109.1	D08	140.2	C07	*179.1	D28

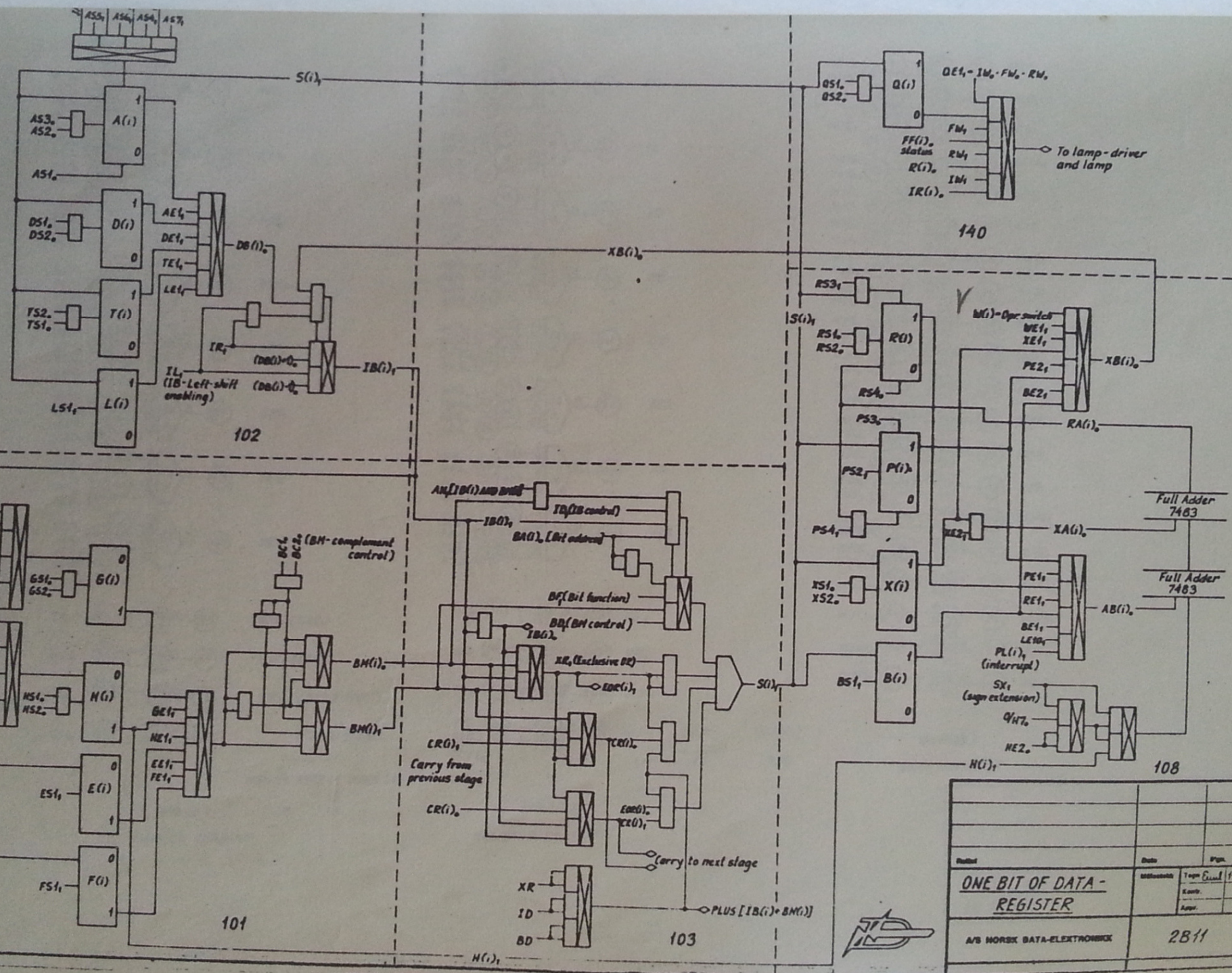
*: In pos. D28 is either 145.1 or 179.1

CARD POSITIONS IN CPU NO. 35

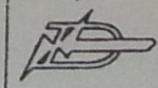
CARD NO.	POS.	CARD NO.	POS.	CARD NO.	POS.
90N40.1	D07	115.1	D10	150.1	C09
90N40.2	D06	120.1	D19	151.1	C01
101.1	C25	122.1	D18	157.1	D27
101.2	C21	123.1	D02	158/II.1	C29
101.3	C17	124.1	D03	158/II.2	C28
101.4	C13	125.1	D01	158/II.3	C27
102.1	C23	126.1	D11	158/II.4	C26
102.2	C19	127.1	D04	159.1	C30
102.3	C15	128.1	C02	160.1	D26
102.4	C11	130.1	D09	160.3	D29
103.1	C24	131.1	D05	163.1	D20
103.2	C20	132.1	C04	164.1	D25
103.3	C16	133.1	D17	165.1	D23
103.4	C12	134.1	D12	165.2	D24
106.1	C06	135.1	D13	166.1	D21
106.2	C05	136.1	D14	166.2	D22
108.1	C22	137.1	D15	169.1	C31
108.2	C18	140.1	C08	170.1	D30
108.3	C14	140.2	C07	179.1	D28
108.4	C10	141.1	C03	190.1	D31
109.1	D08	146.1	D16	190.2	D32
110.1	C32				

ND-01.004.01

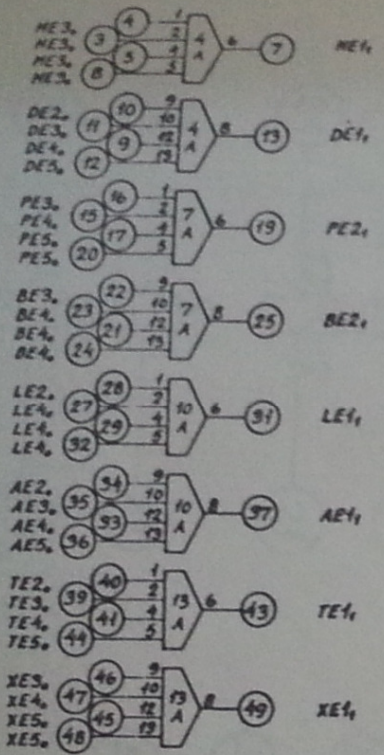
*is
feedback*



Revised	Date	Page
ONE BIT OF DATA - REGISTER		
A/S NORDEX DATA-ELECTRONIK		Top. Exec. 11.12.69
		Contr.
		Appr.
2811		

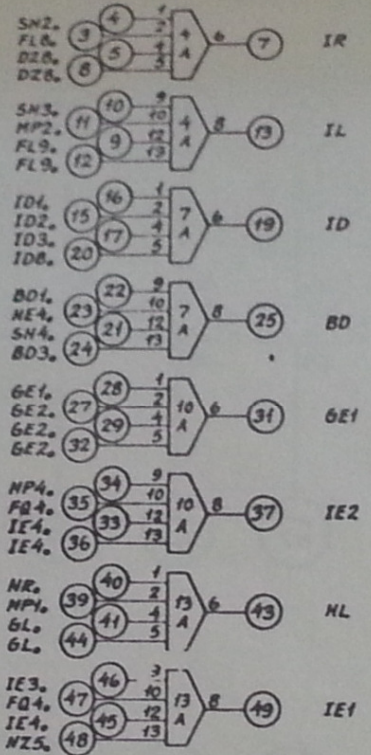


ND-01.004.01



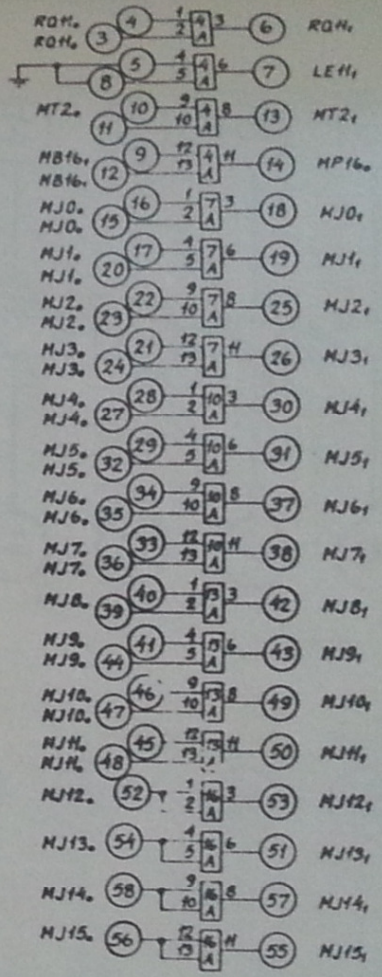
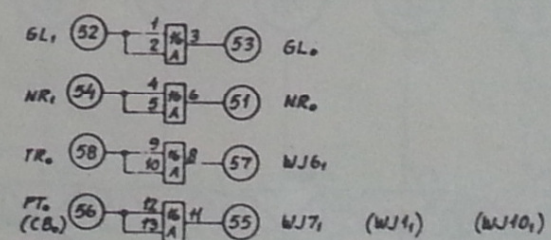
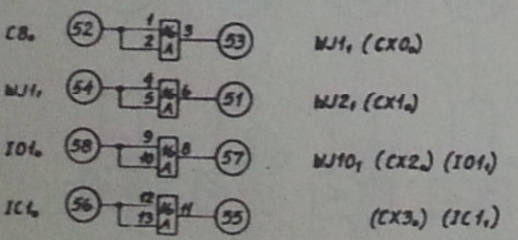
90N40.1 REGISTER ENABLING

NORD 14	NORD 11	NORD 110
12	12	12
13	13	13



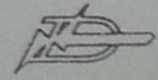
90N40.2 REGISTER ENABLING

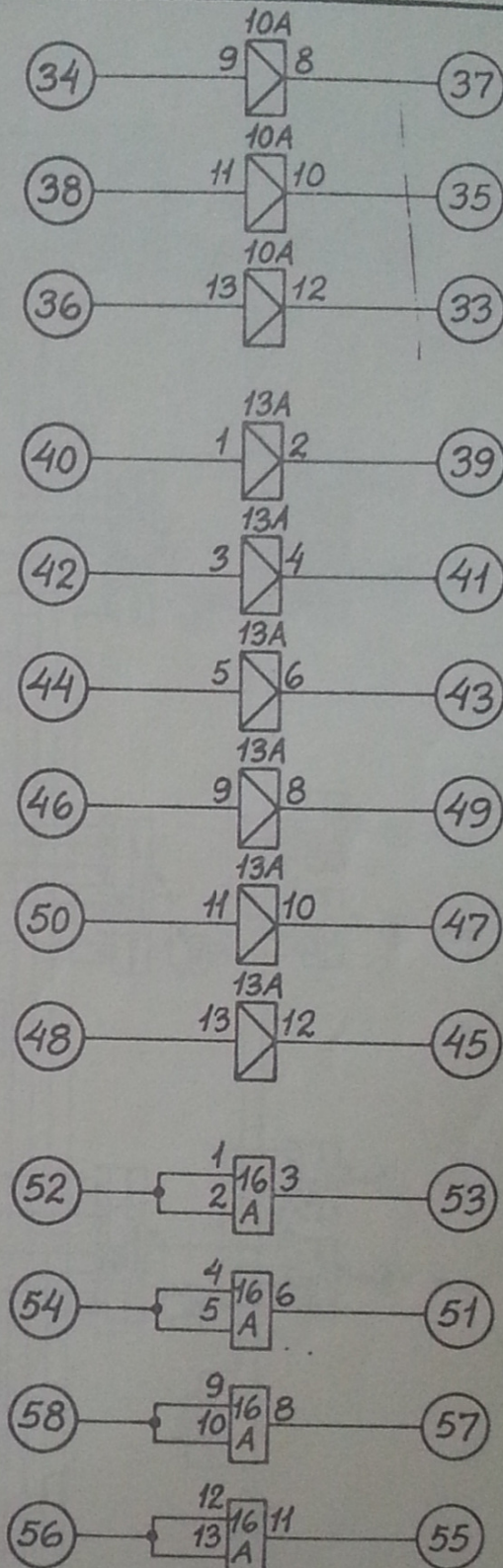
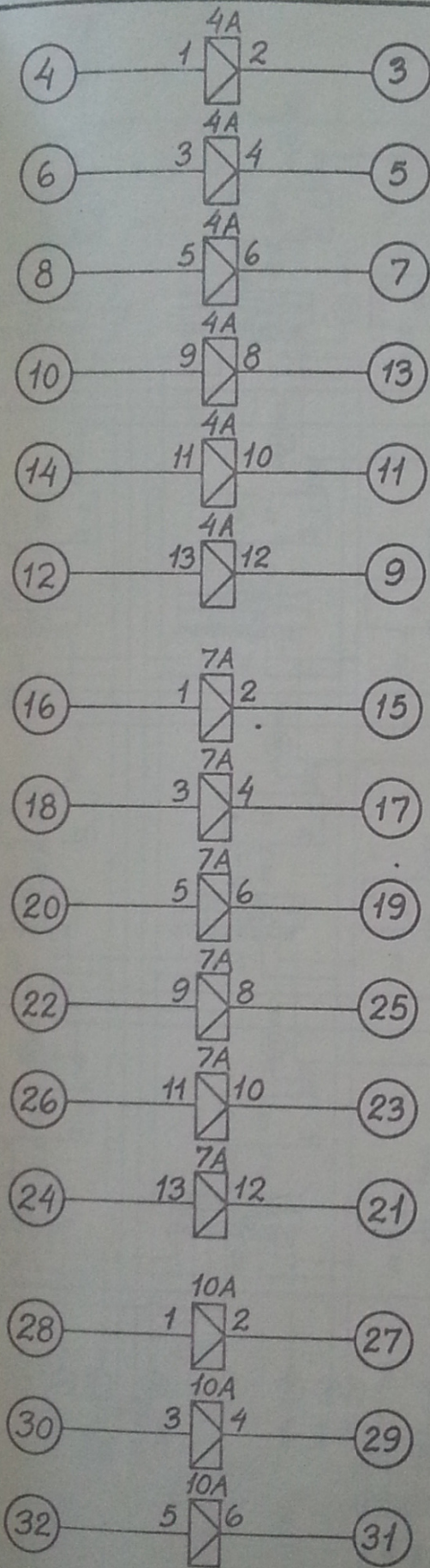
14	11	110
19	13	13



90N00.3 DATA INVERTER

NORD 90 CARDS IN NORD-1		Manuscript	Exp. Date
A/S NORSE DATA-ELEKTRONIK		2801	



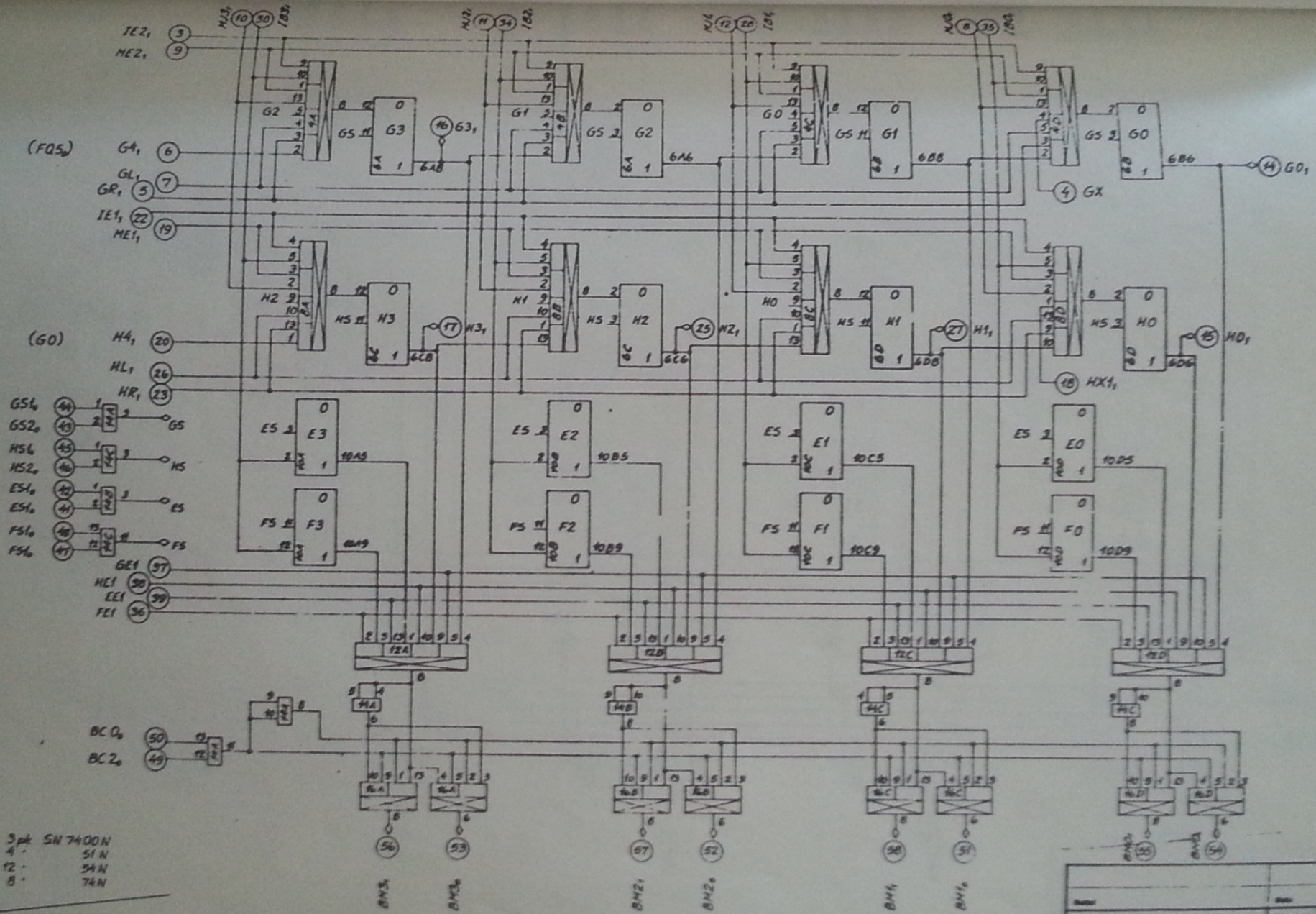


DRAWN BY	
APPROVED BY	
DATE	

Remarks	ND-01.004.01
---------	--------------

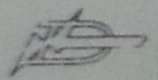
Replacement for	Date
Replaced by	Date

ND-01.004.01



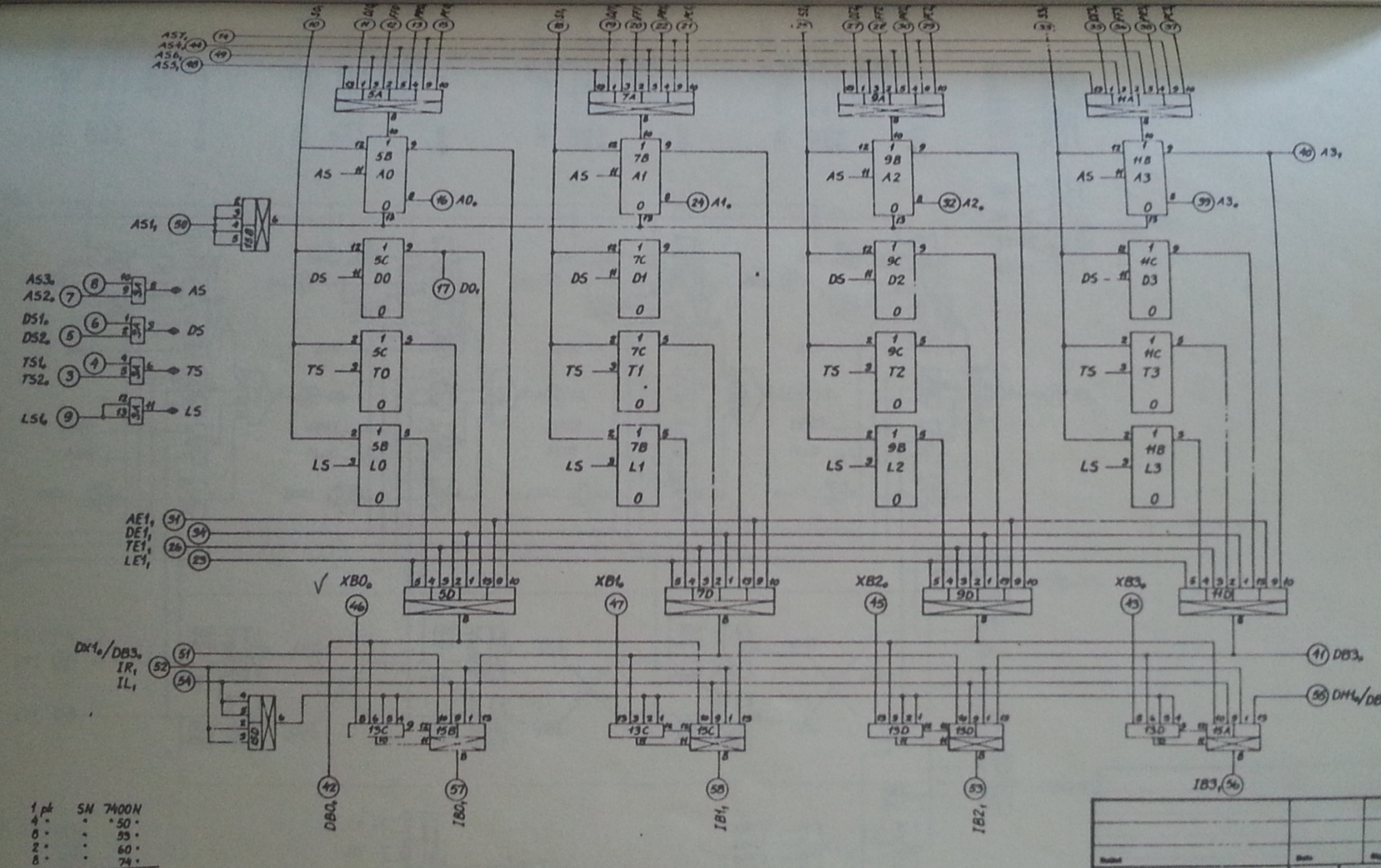
3pk SN 7400N
 4 - 51N
 12 - 54N
 8 - 74N

27pk 46term



BUS MEMORY		101	
A/S NUMBER DATA-ELECTRONICS		2401	

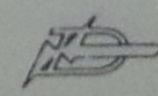
ND-01.004.01



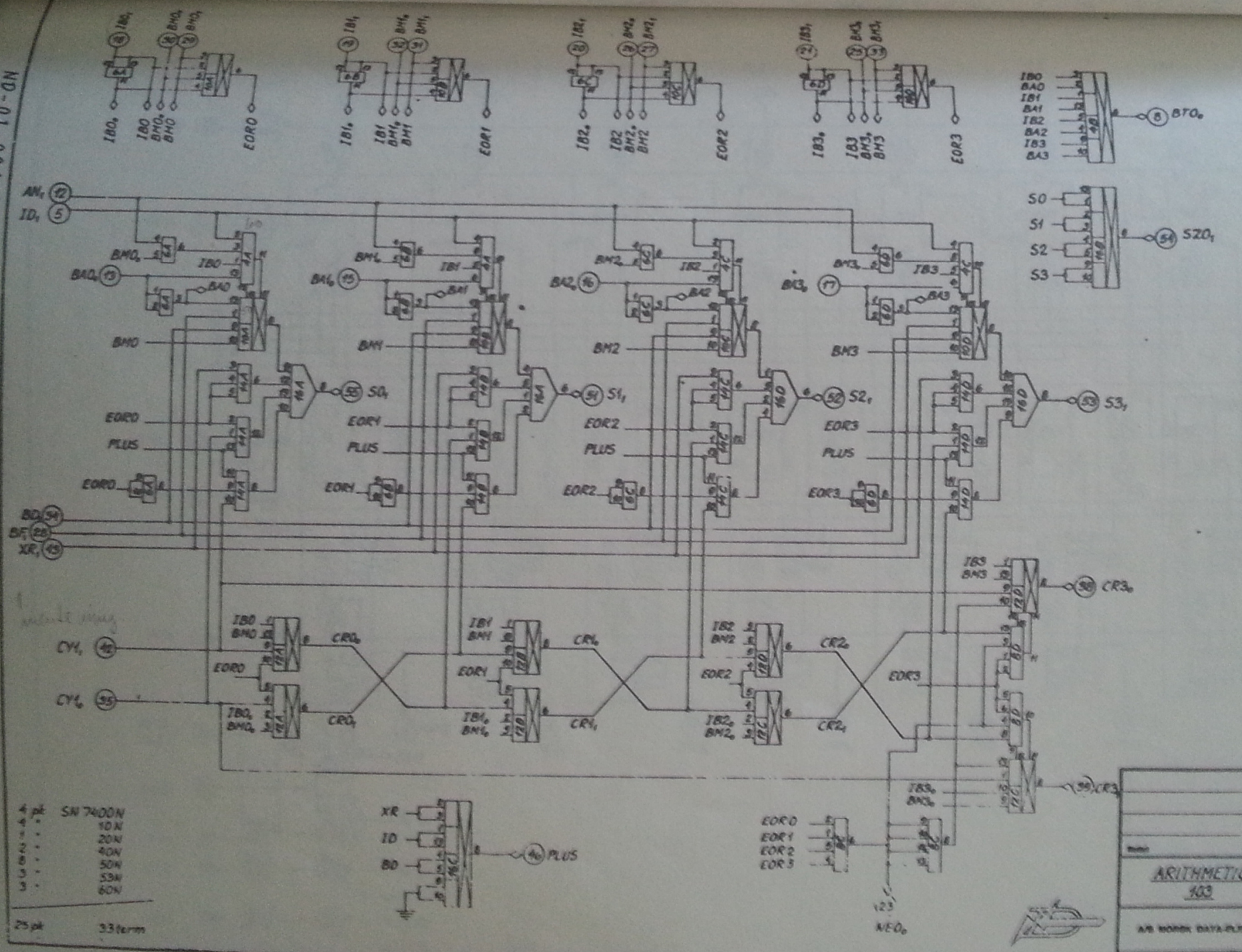
1 pk SN 7400N
 4 " " 50 "
 8 " " 93 "
 2 " " 60 "
 8 " " 74 "

23 pk 56 term

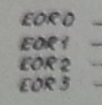
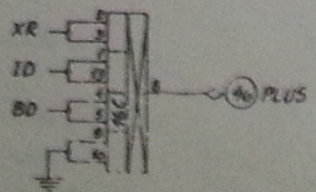
Model REGISTER I 102		Date 1956
A/S NORBK DATA-ELEKTRONIK		Page 62 2A02



ND-01.004.01



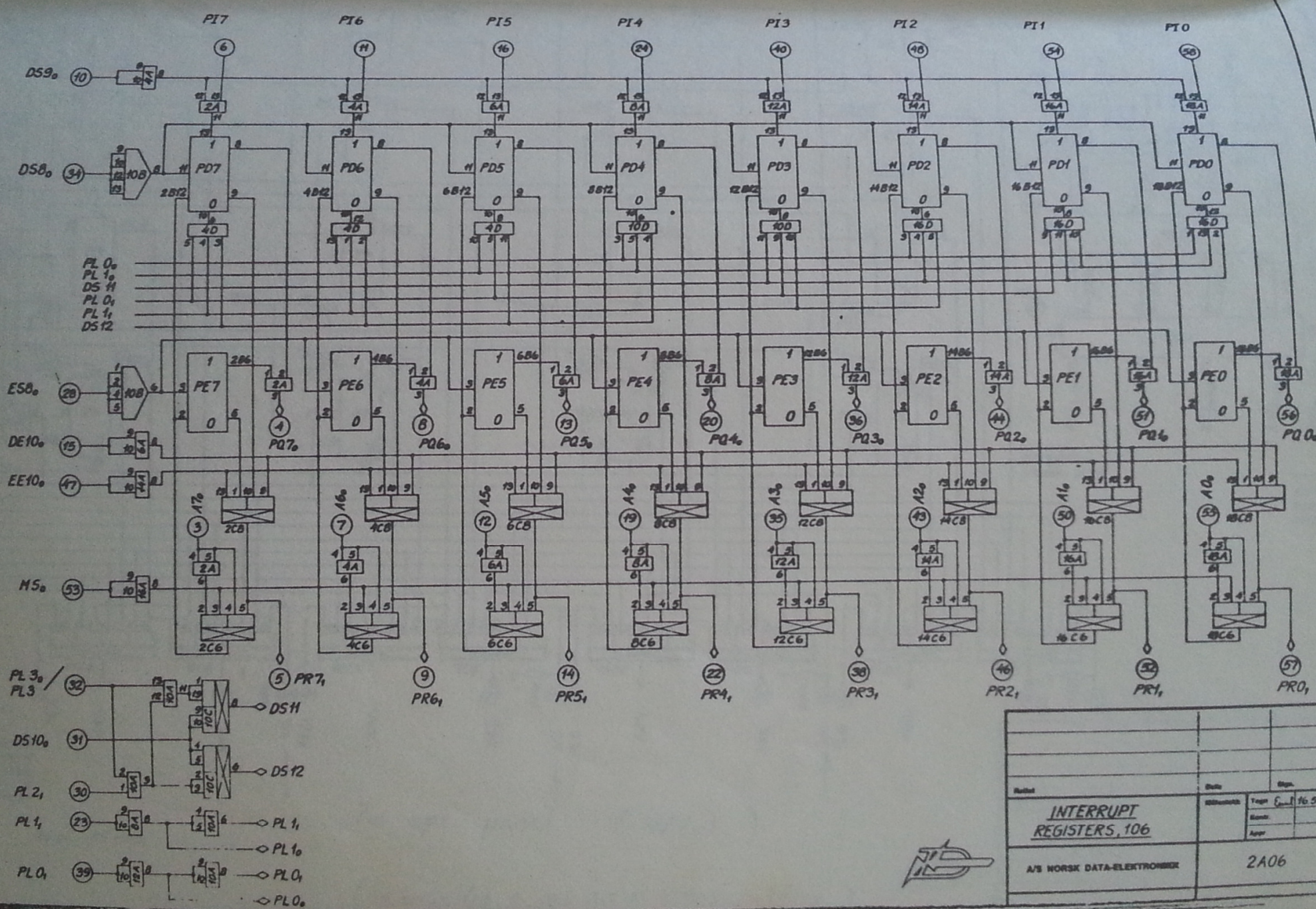
25 pt 33 term



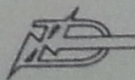
NE0

Model		Part No.	
ARITHMETIC		103	
Manufacturer	Part No.	Rev.	10-65
A/E BORDX DATA ELECTRONIC		2X03	

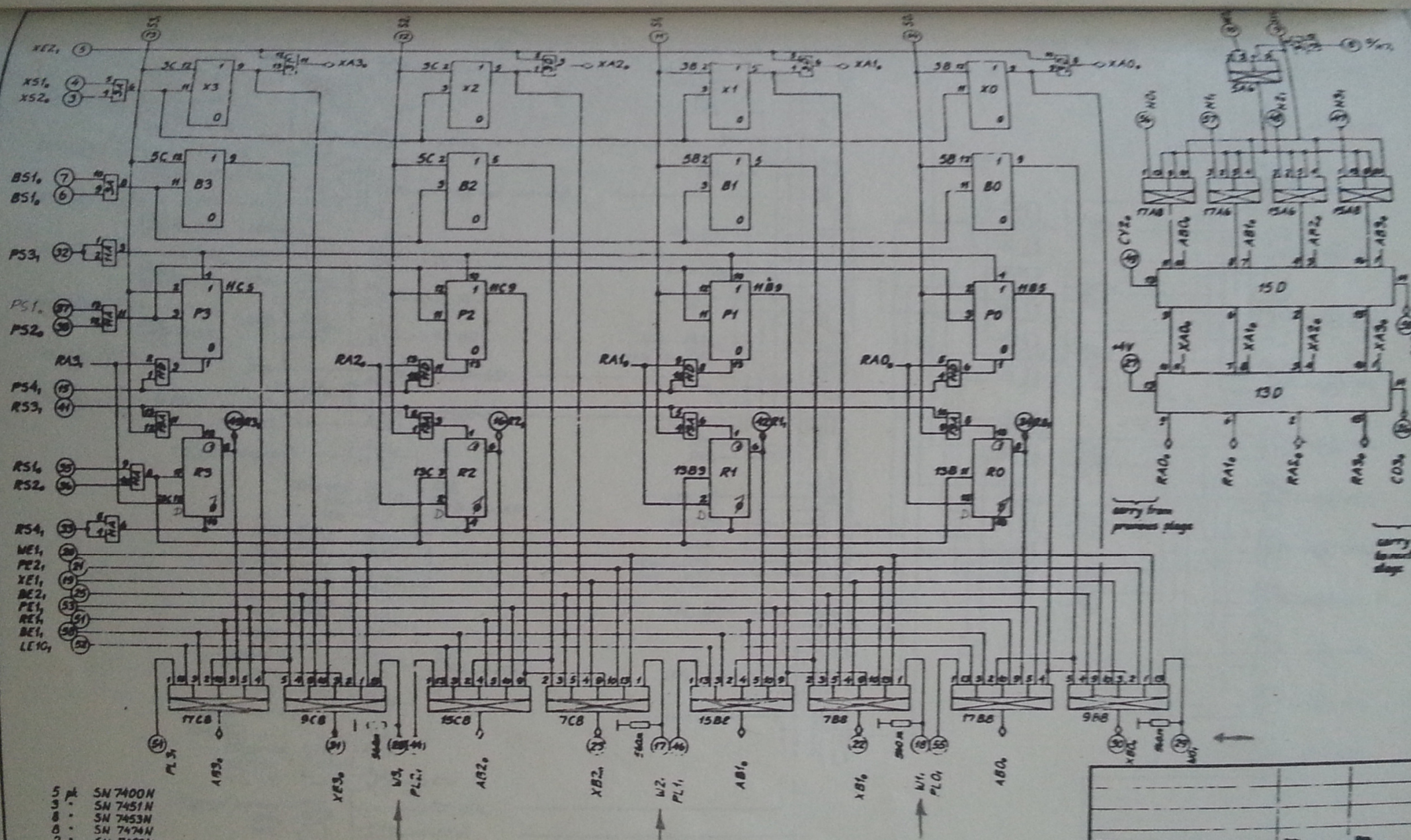
ND-01.004.01



Revizija	Datum	Sign.
INTERRUPT REGISTERS, 106		
Projekat	Traga	Čin
Šifra	Broj	16.5.69
A/S NORSK DATA-ELEKTRONIK		2A06



ND-01.004.01



- 5 pt SN 7400N
- 3 . SN 7451N
- 8 . SN 7453N
- 0 . SN 7474N
- 2 . SN 7483N

26 pt 52 term

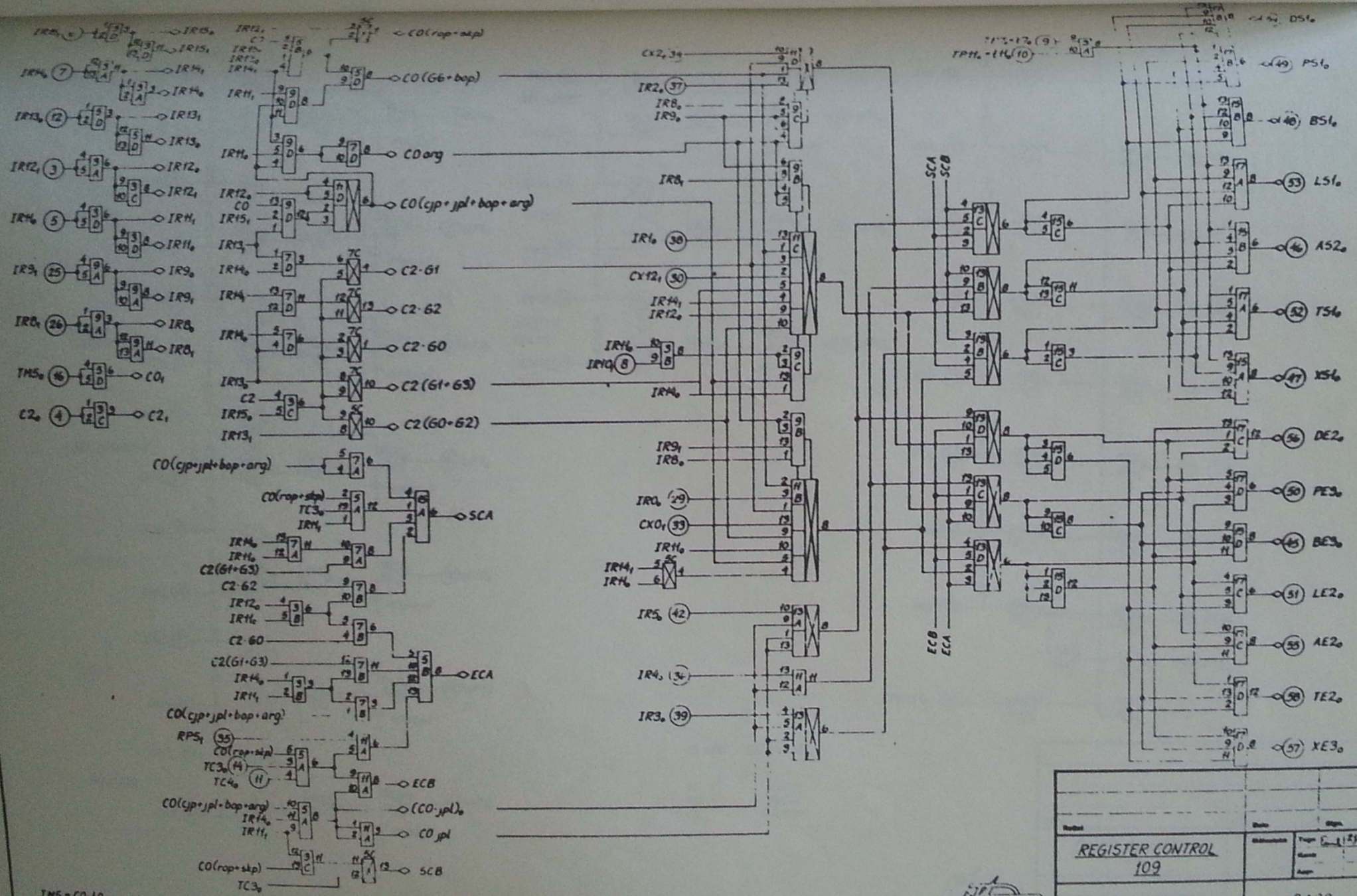
From opr. panel (W(i))

(See drawing - ONE BIT OF DATA REGISTER.)

Name		Rev		Date	
REGISTER II		108			
A/S WORK DATA-ELECTRONICS				2A08	



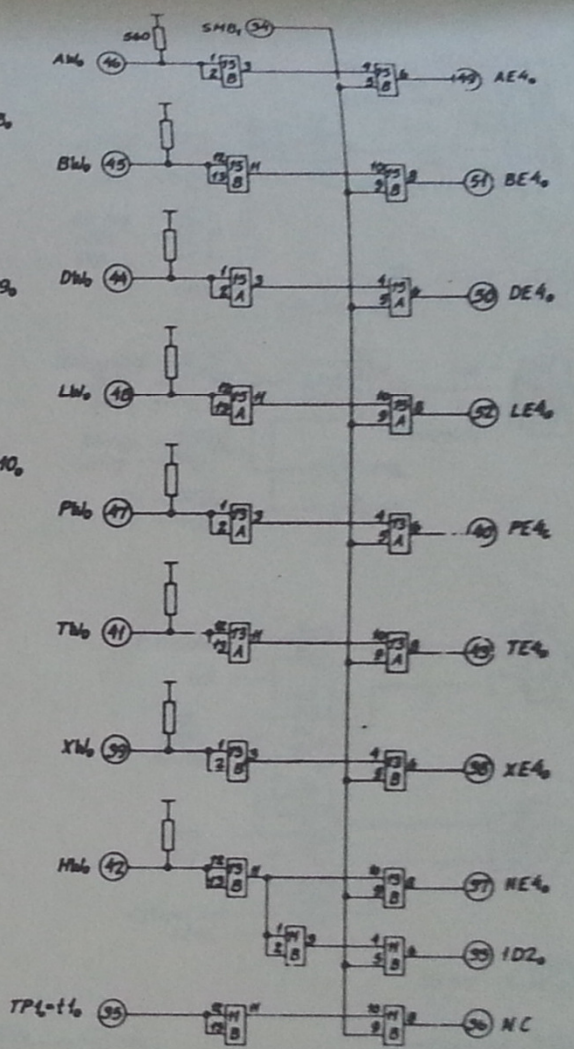
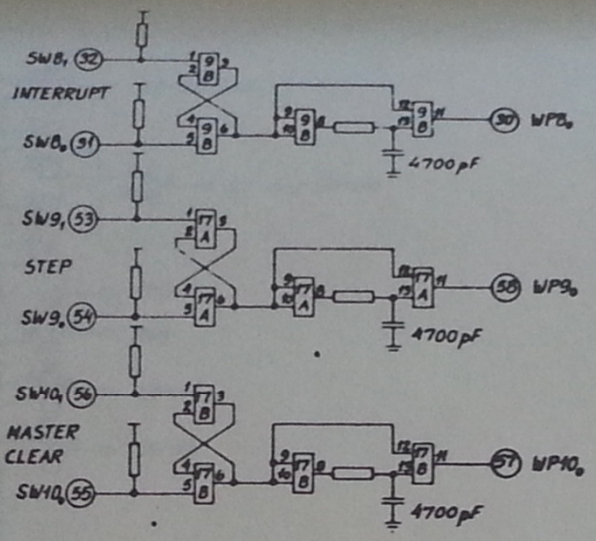
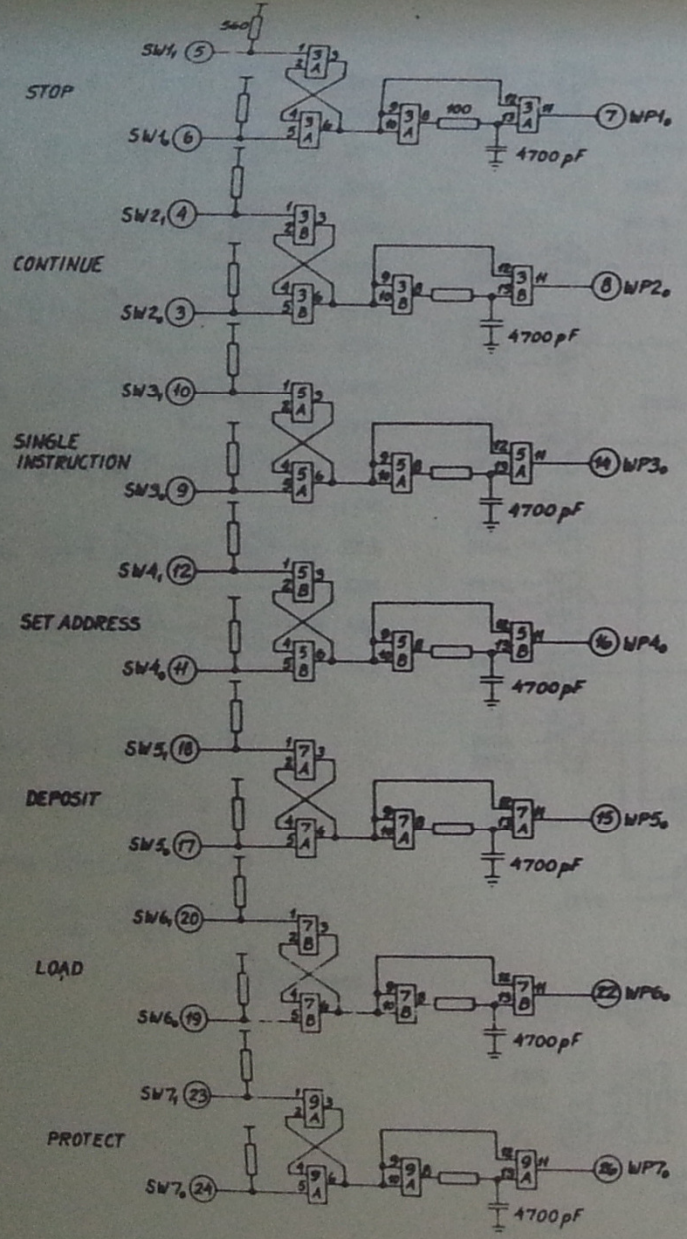
ND-01.004.01



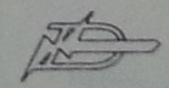
TMS - CO 10,
RPS - CO(rop-IR0+skp)

Model	Date	Sign.
REGISTER CONTROL		
109		
A/S NORSK DATA-ELEKTRONIKK	2409	Page 1 of 2

ND-01.004.01



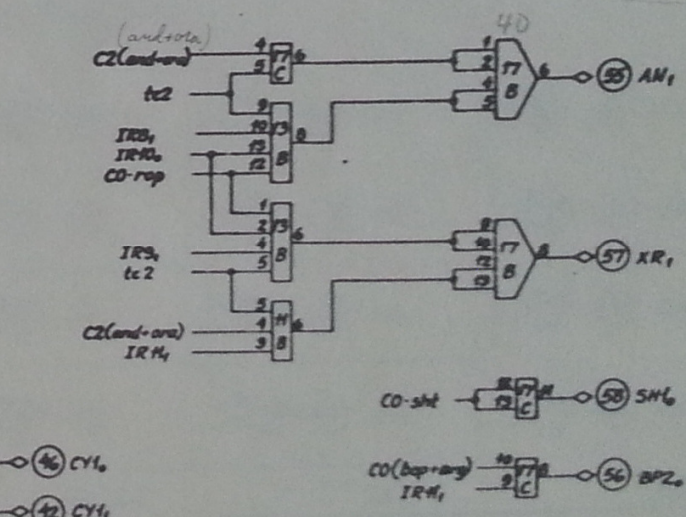
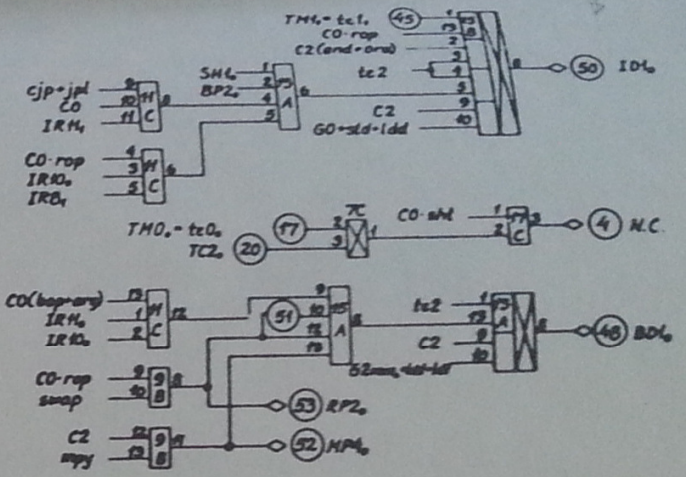
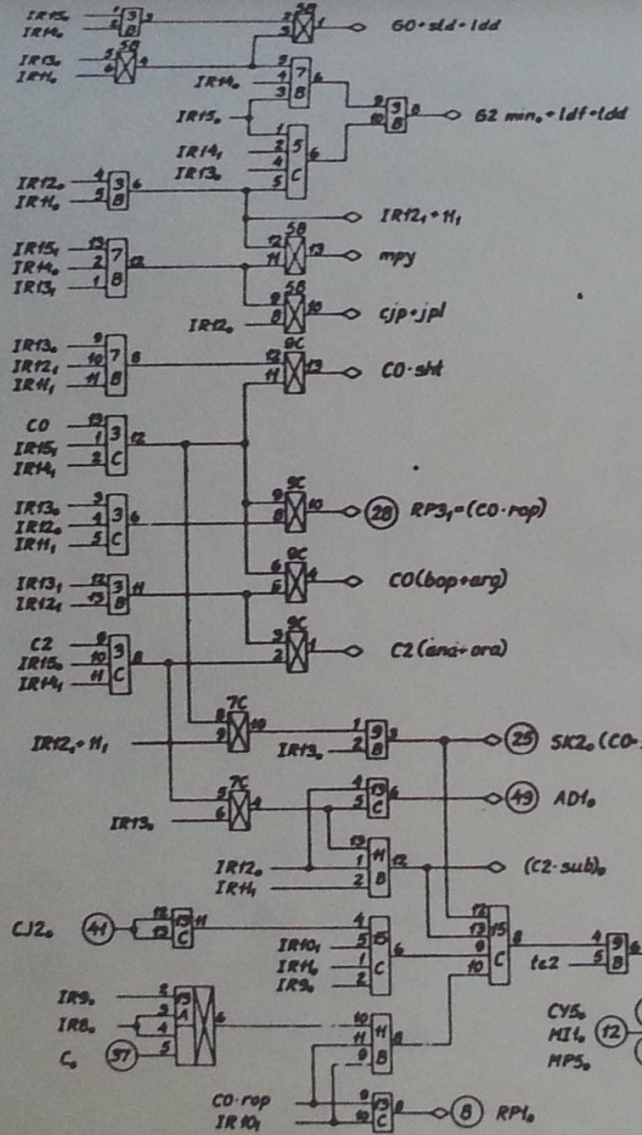
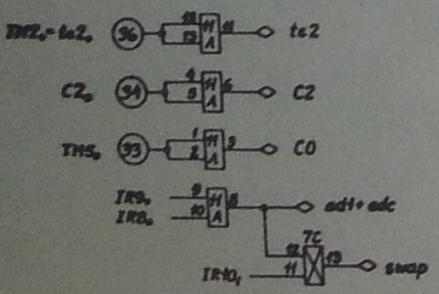
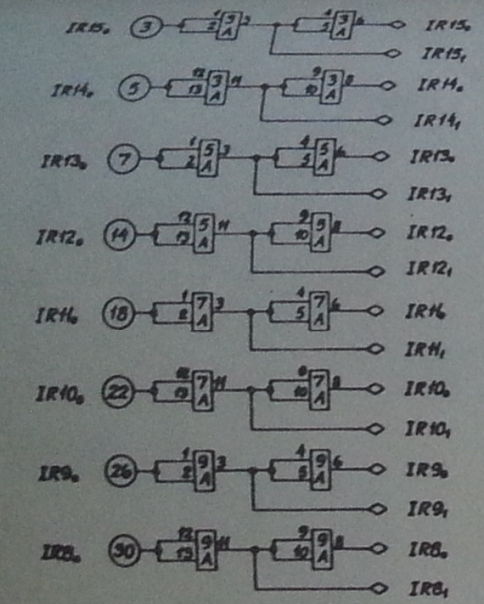
- 15 slk SN 7400N
- 10 • 100 Ω
- 28 • 560 Ω
- 10 • 4700 pF



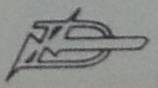
Panel		Date		Sign.	
PANEL BUFFER 110		Temp. Control 136-49			
A/S NORNA DATA-ELEKTRONIK				2A10	

Logic signals

ND-01.004.01

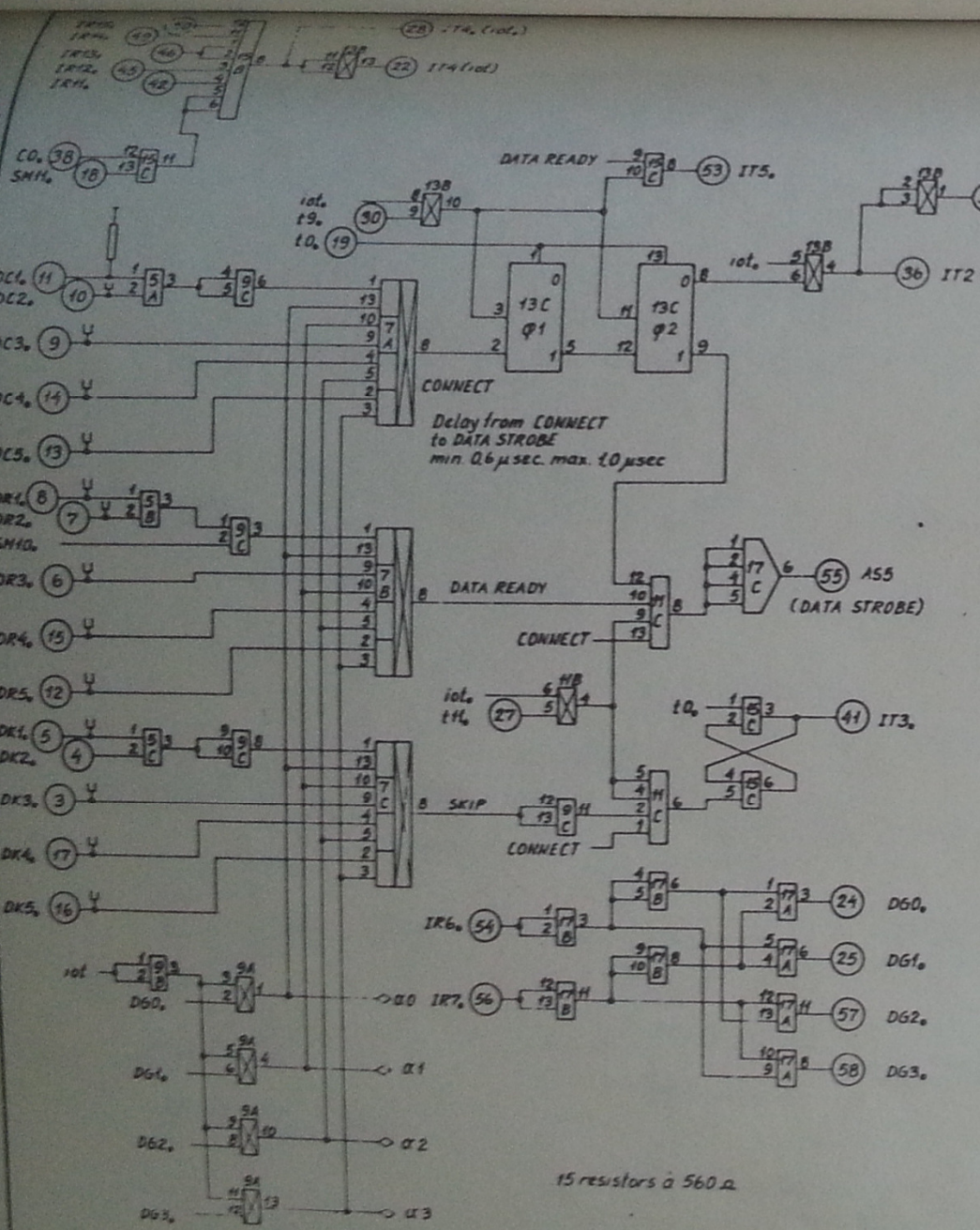


7400 9
02 3
10 4
20 4
40 1
50 1
55 1
23pt

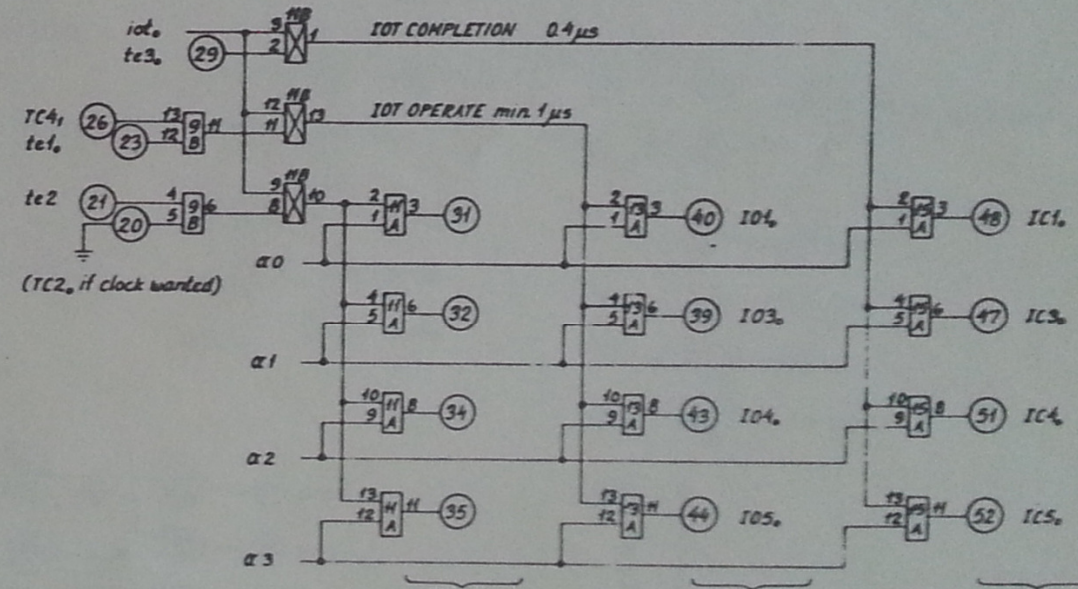
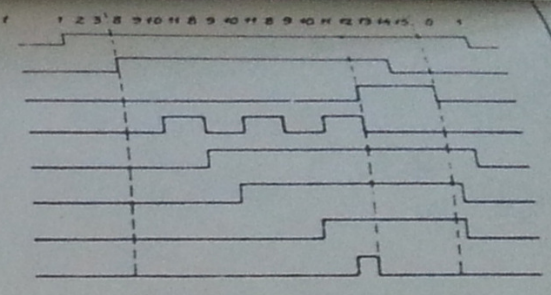


ARITHMETIC CONTROL		Page 6 of 12	1956
115		Rev.	
A/S BORSSE DATA-ELECTRONIE		2A15	

ND-01.004.01

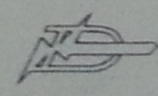


IR 425
IOT OPERATE
IOT COMPLETION
IOT CLOCK
CONNECT
φ1
φ2
DATA STROBE

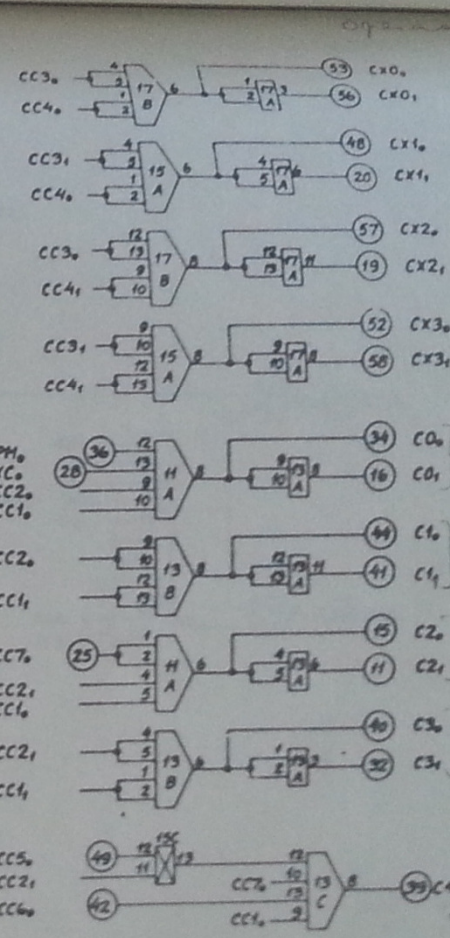
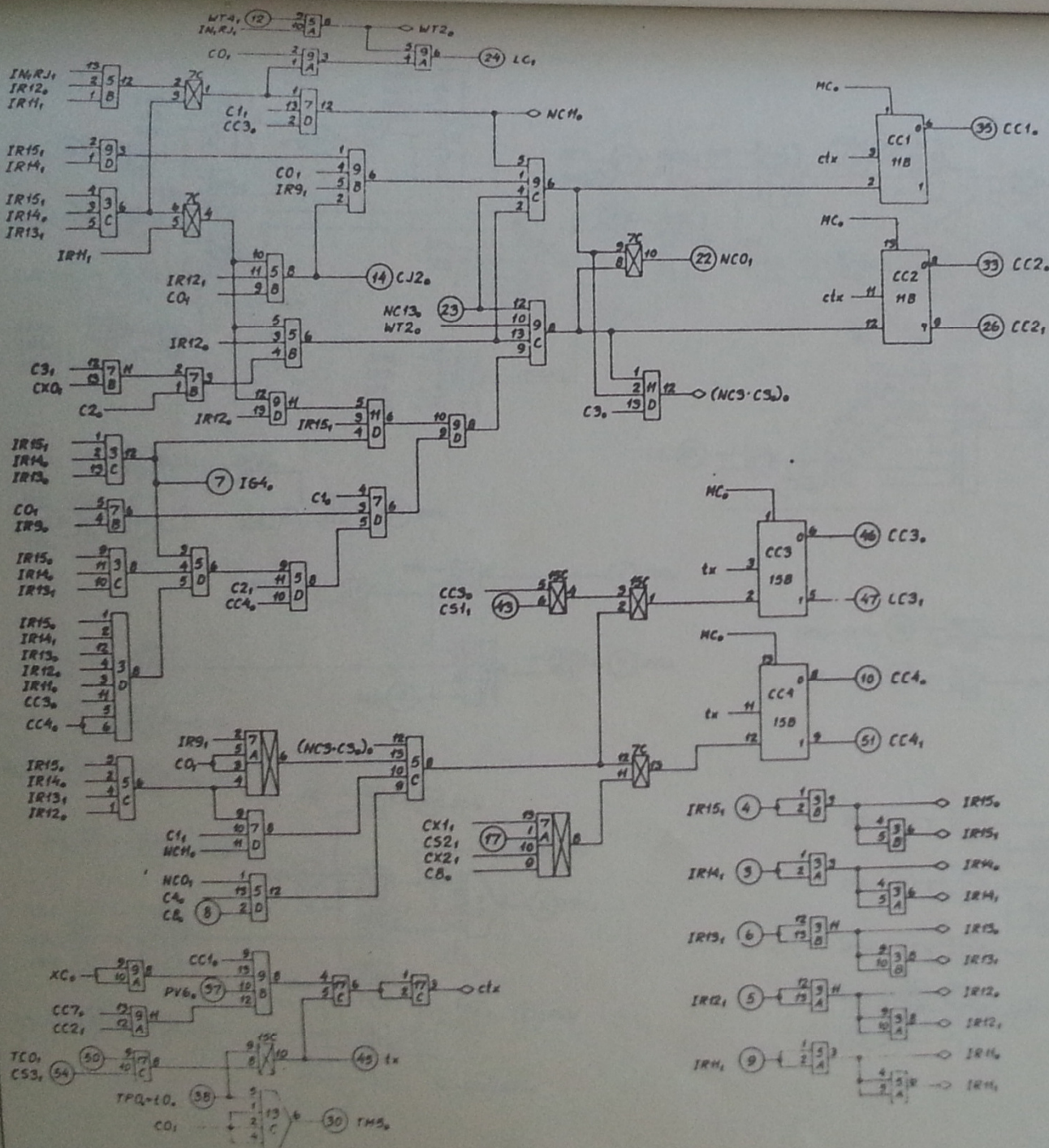


7400	H
02	5
20	1
30	1
40	1
53	3
74	1

Rev.	Date	Sign.
I/O CONTROL		
120/II		
A/S NORSK DATA-ELECTRONIK		2A20/II



ND-01.004.01



oplysninger

hovedcyklus

hentning af data

afviks adresse

adressering

instruksjoner

indlæsning

referencer

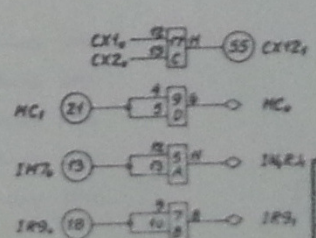
instruksjoner

indlæsning

referencer

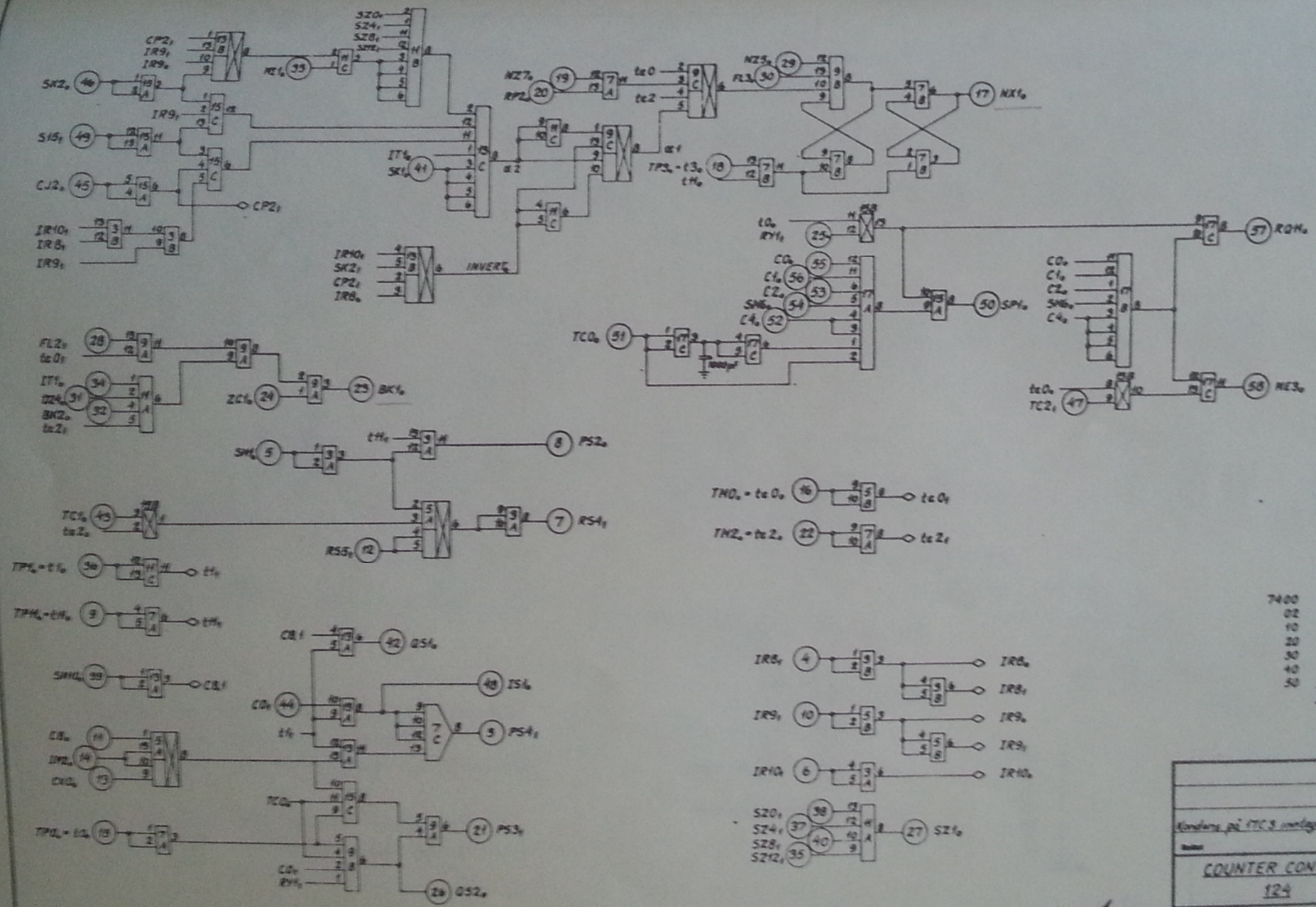
interrupt

7400	9
02	2
10	5
20	3
30	1
40	5
50	1
74	2
28 pt.	



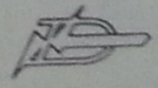
CYCLE COUNTER		123
A/S NORDE DATA-ELECTRONICS		2423

ND-01.004.01

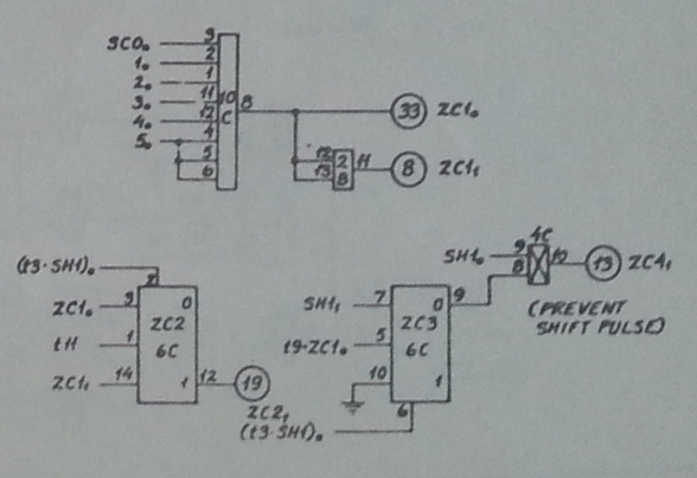
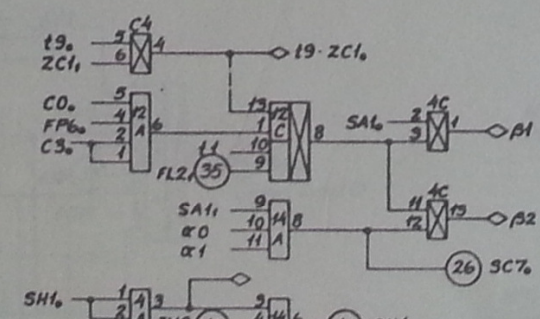
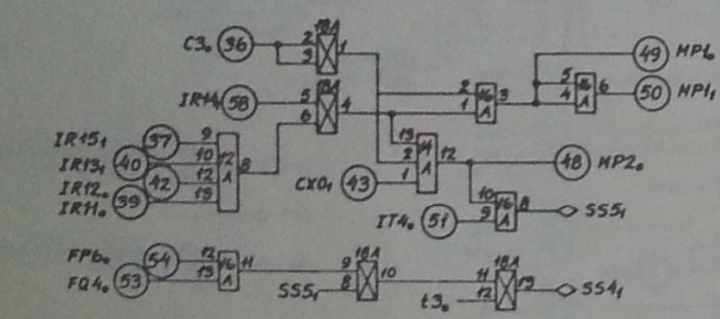
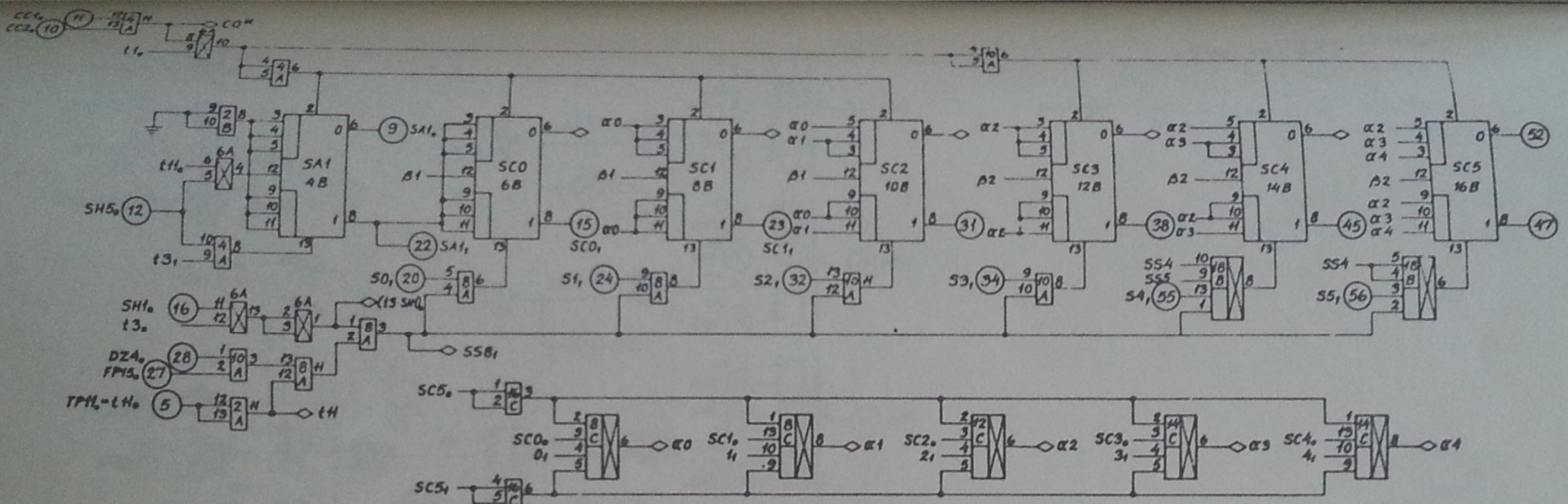


7400	10
02	1
10	1
20	2
30	4
40	1
50	1
<hr/>	
	22 pt.

Mendure, p. 173 integrat		29 70	Sunt
COUNTER CONTROL			
124			
A/B WORK DATA-ELEKTRONIK		2424	



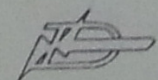
ND-01.00401



$16V32 \rightarrow SC \quad SS4_1 = t3[(C0 \cdot C8) iot + C3,0 \cdot mpy + SS6]$
 $16 \rightarrow SC \quad SS5_1 = (C0 \cdot C8) iot + C3,0 \cdot mpy$
 $32 \rightarrow SC \quad SS6_1 = CX2(C2(fmu + fdv) + C3(fad + fsb))$
 $S \rightarrow SC \quad SS8_1 = C0 \cdot dnz + C2,0(fad + fsb)$
 $count \ SC \quad FL2_1 = C3,3(fad + fsb) \ S61(G15 = CF1)$
 $SH1 = C0 \cdot sht$

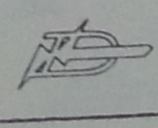
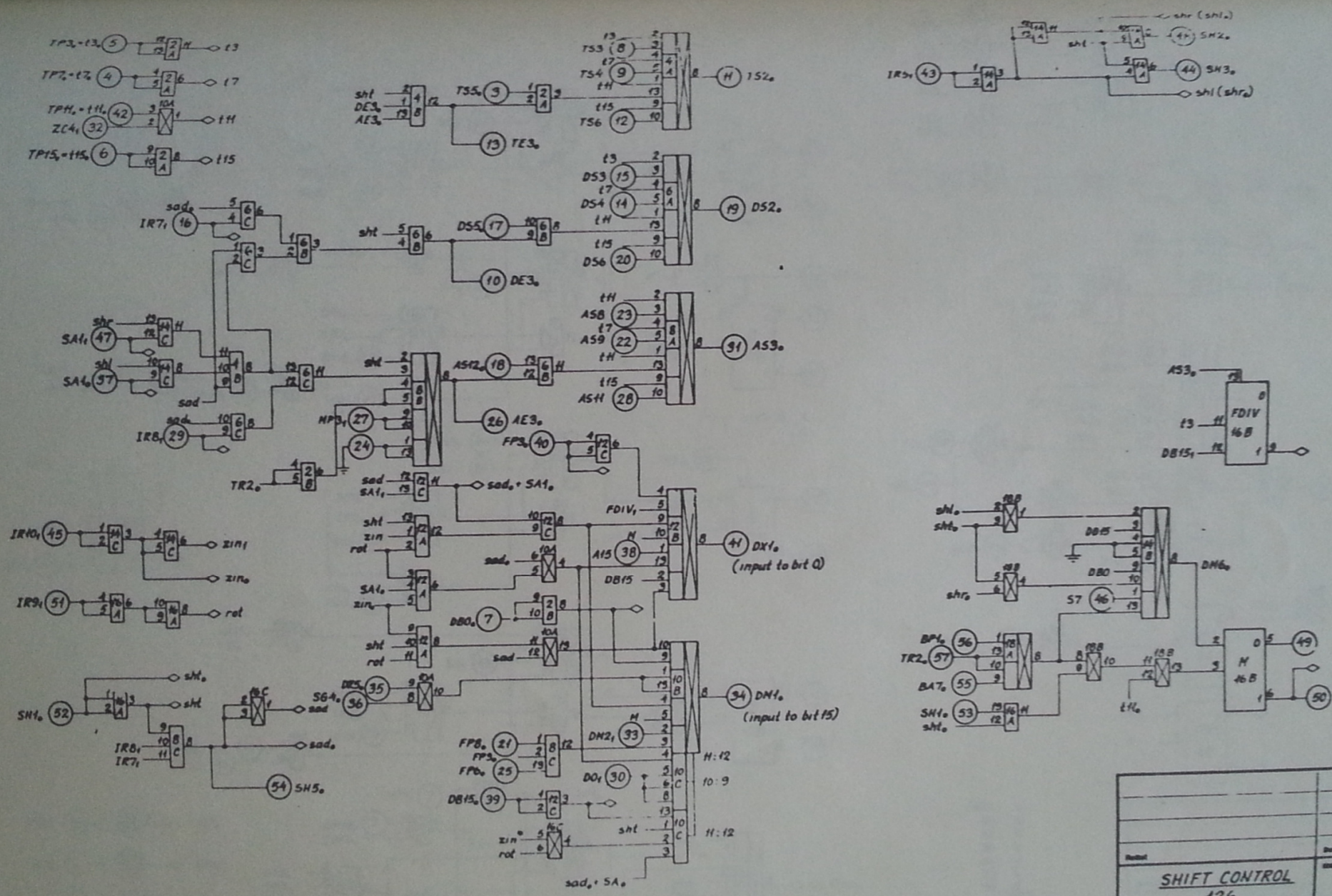
$TP1 = t1_0 \quad (4) \quad \begin{matrix} 1 & 2 & 6 \\ 4 & 5 & A \end{matrix} \rightarrow t1_1$
 $TP9 = t9_0 \quad (3) \quad \begin{matrix} 1 & 2 & 3 \\ 1 & 2 & A \end{matrix} \rightarrow t9_i$
 $TP3 = t3_0 \quad (6) \quad \begin{matrix} 9 & 2 & 8 \\ 10 & 2 & A \end{matrix} \rightarrow t3_i$

7400 7
 02 3
 10 1
 20 1
 30 1
 50 4
 72 7
 73 1
 25 pt



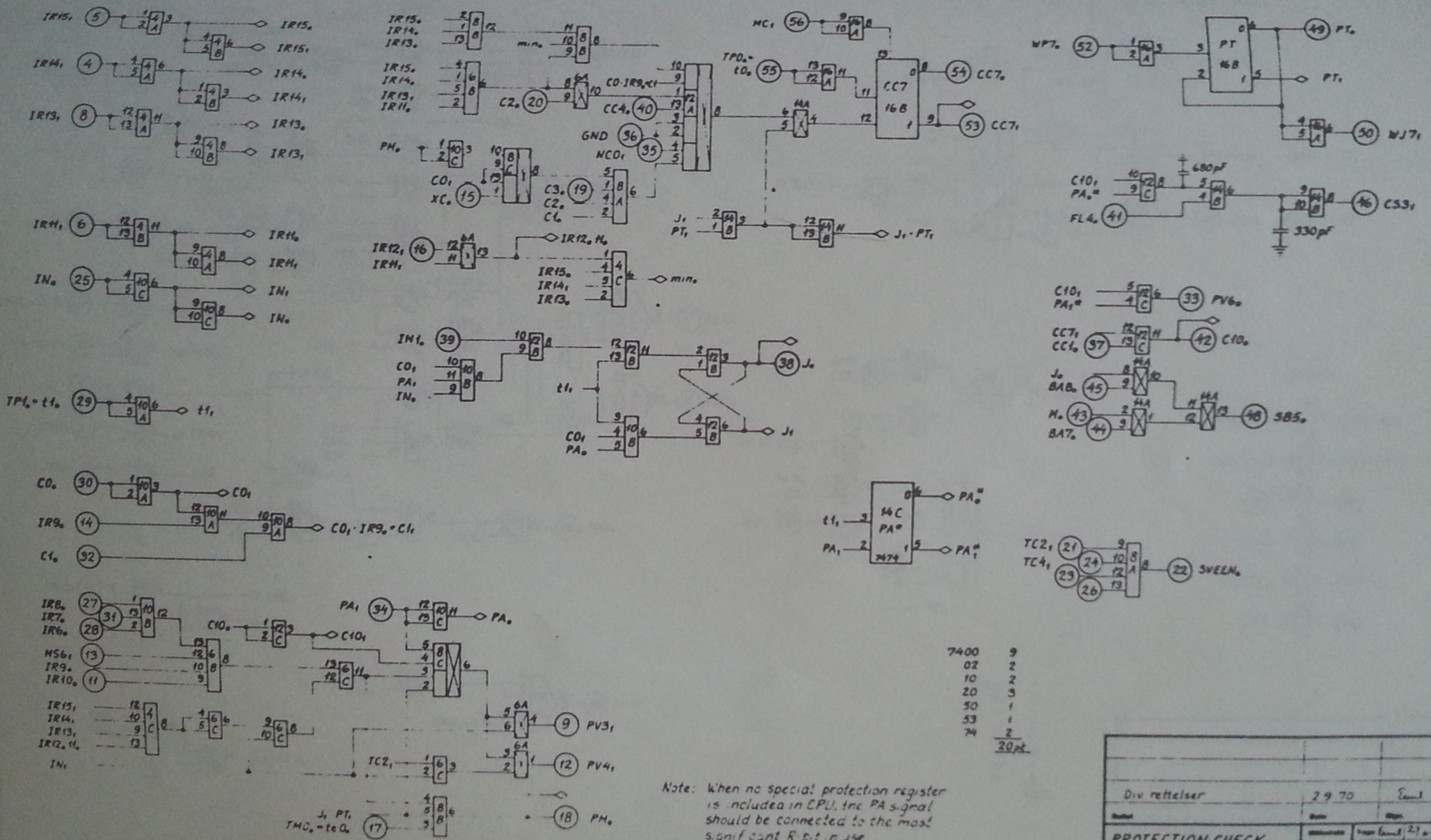
Model	Serial	Sign
SHIFT COUNTER		
125		
A/S NORSK DATA-ELEKTRONIK		2A25

MD-01.004.01



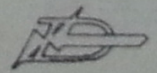
Reviz	Date	Sign.
SHIFT CONTROL		
126		
A/S NORSK DATA-ELEKTRONIK		2A26

ND-01.004.01



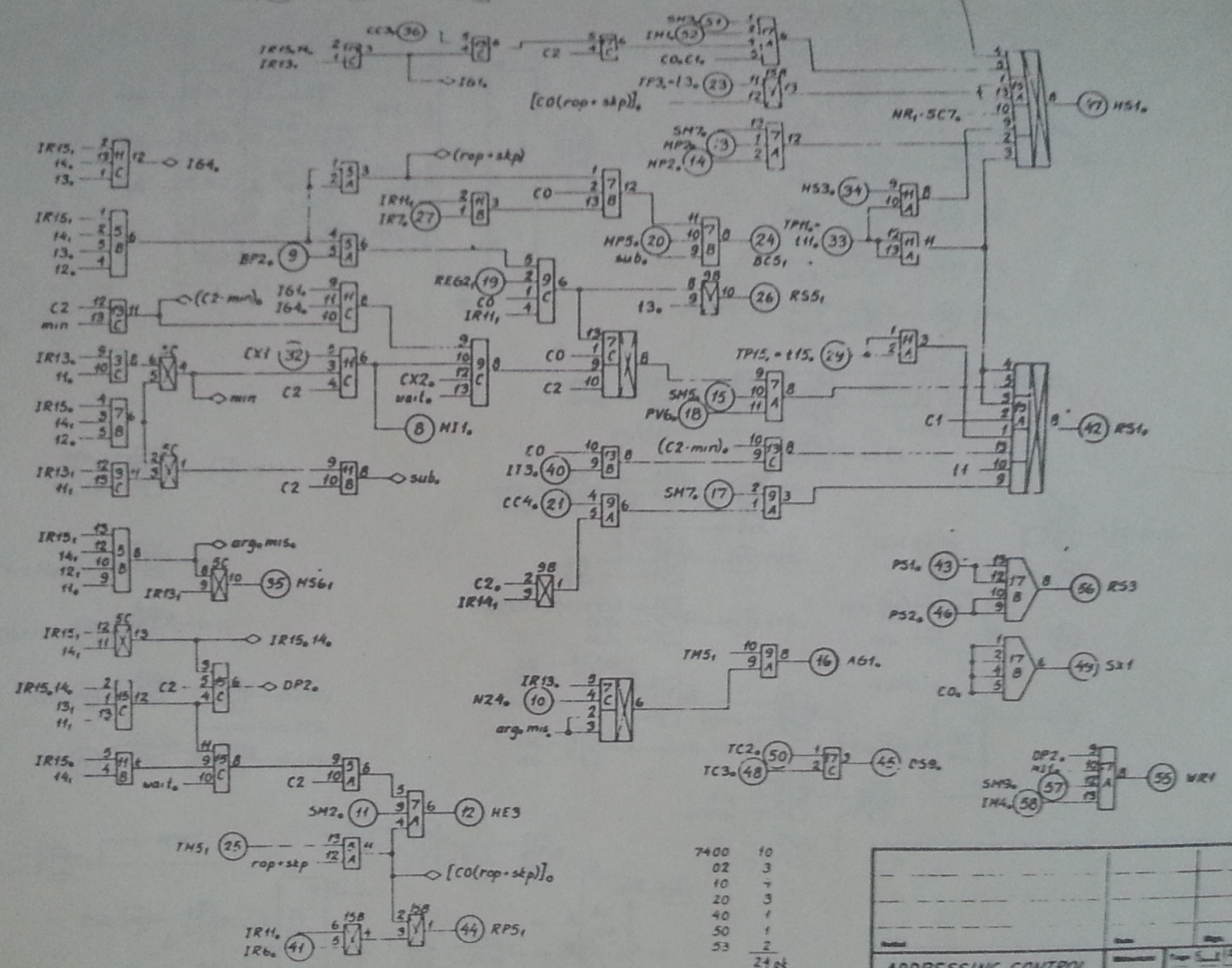
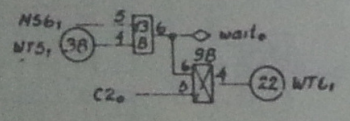
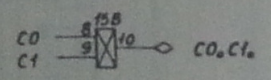
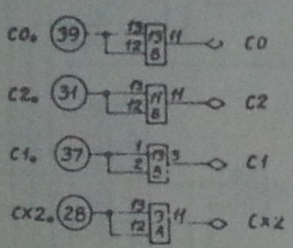
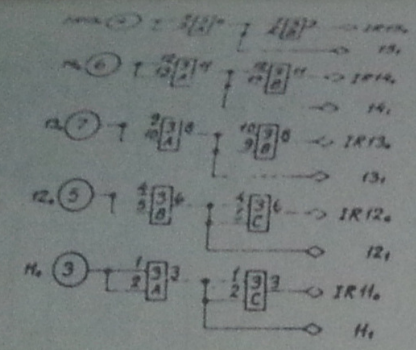
- 7400 9
- 02 2
- 10 2
- 20 3
- 50 1
- 53 1
- 74 2
- 30pt

Note: When no special protection register is included in EPL, the PA signal should be connected to the most significant R-bit in use.



Div rettelsler	2 9 70	Σ
Subst		Sign
PROTECTION CHECK		Page 6 of 23 of 69
128		
A/S HORSK DATA-ELEKTRONIK		2128

HD 01.004.01

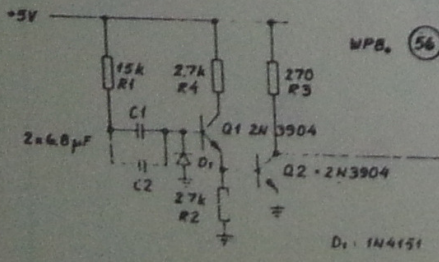
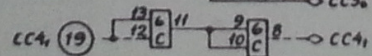
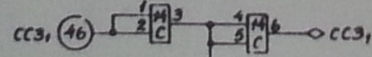
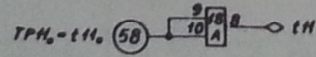
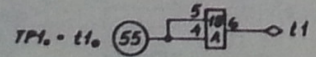
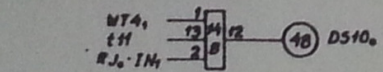
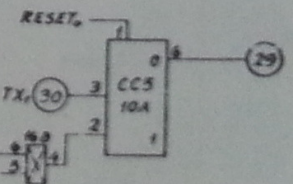
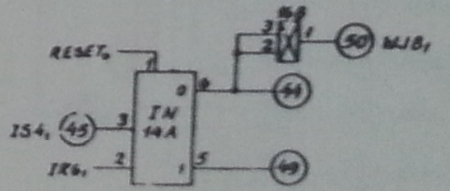
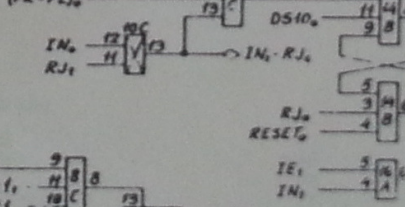
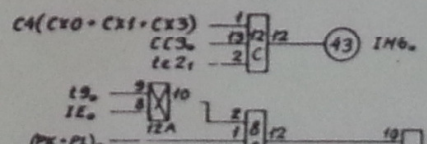
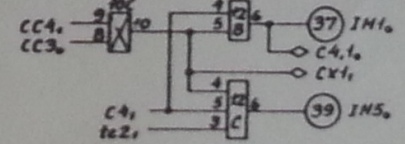
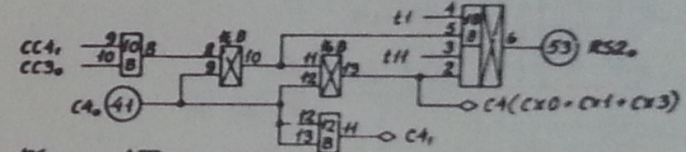
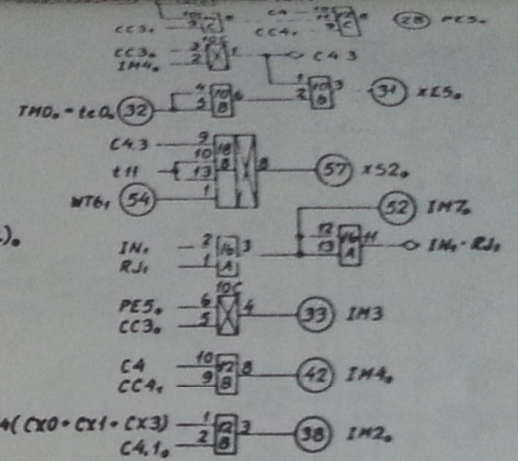
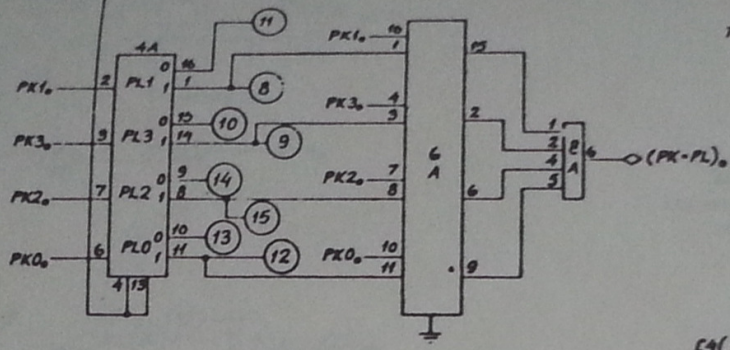
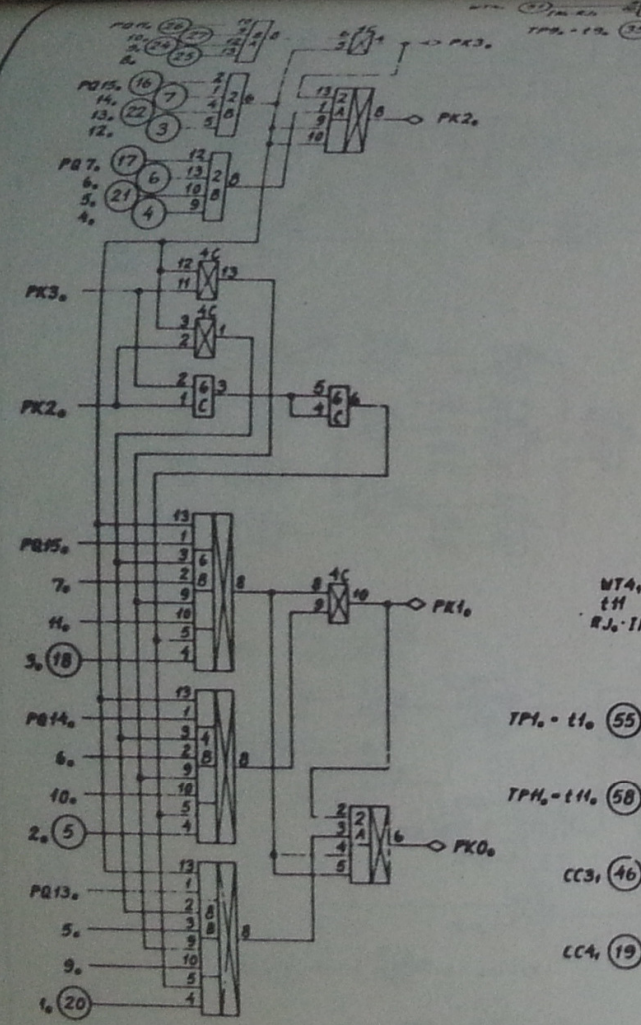


TM5, = (10-1)CO

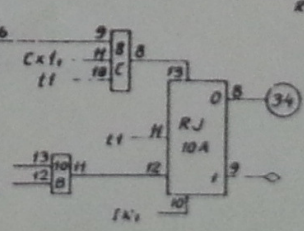
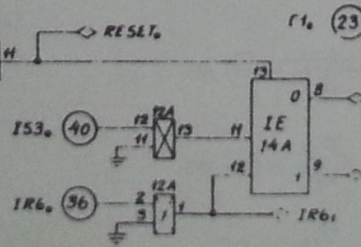
7400	10
02	3
10	7
20	3
40	1
50	1
53	2
24 st	

ADDRESSING CONTROL		Page 144 of 149	
131			
A'S NORSK DATA-ELEKTRONIK		2A31	

ND-01.004.01

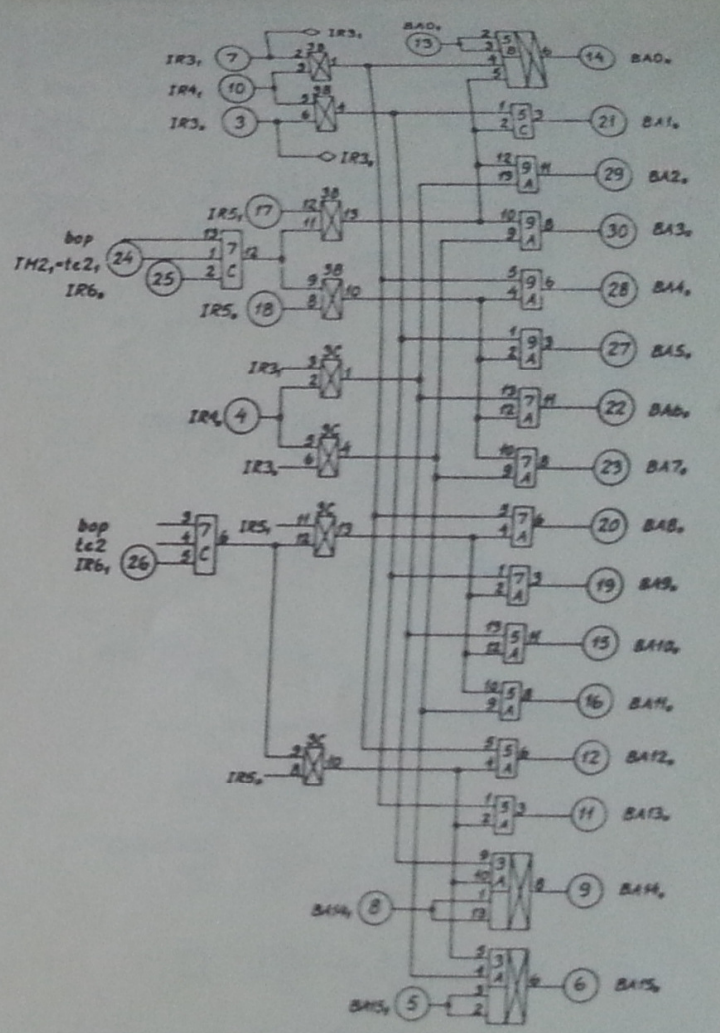
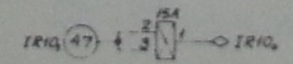
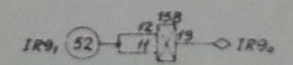
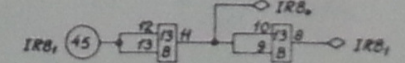
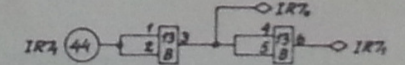
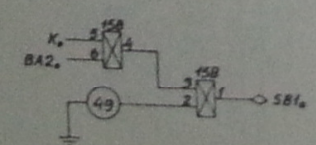
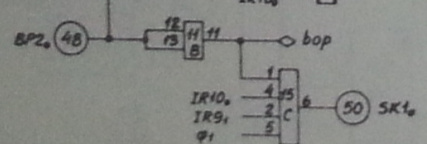
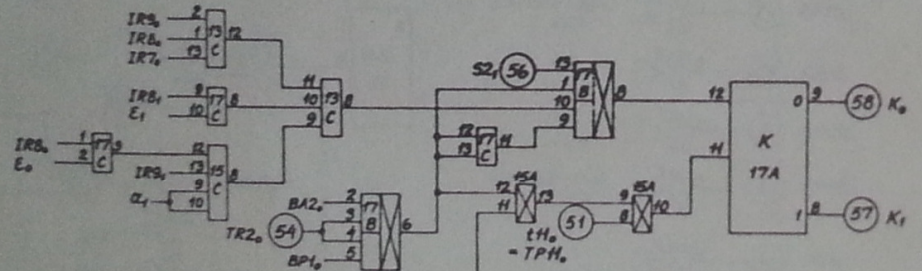
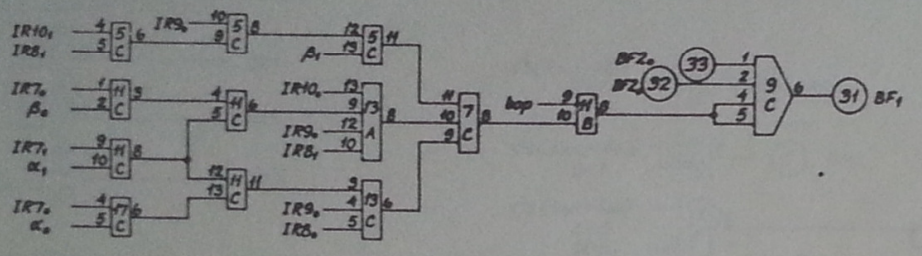
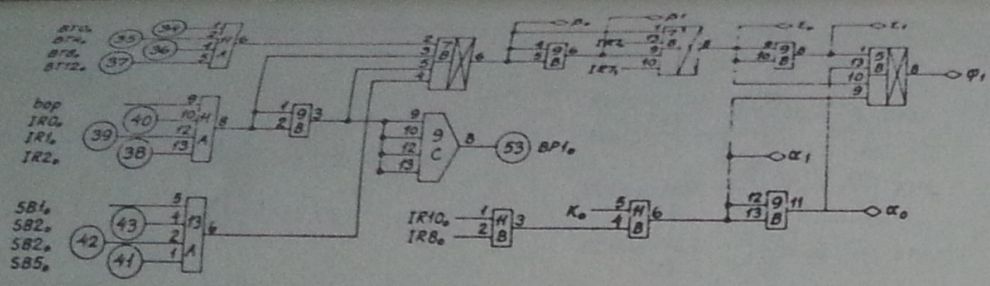


D1: 1N4151

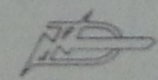


INTERRUPT CONTROL		132	
Author	Drawn	Checked	Date
A/S WORSSE DATA-ELECTRONICS		2A32	

ND-01.004.01



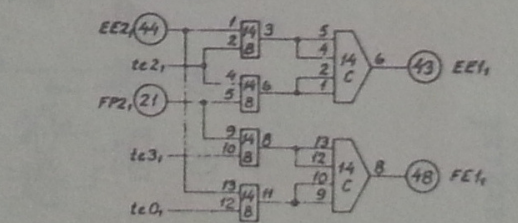
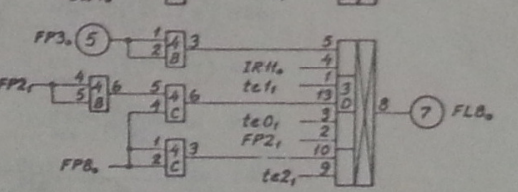
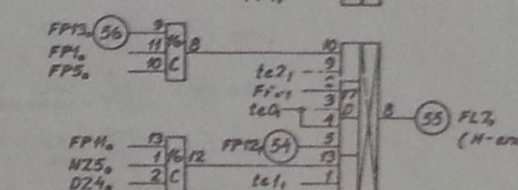
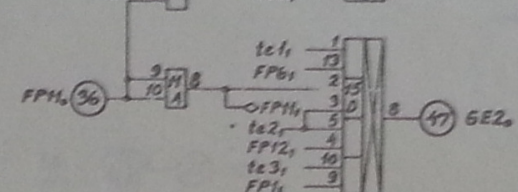
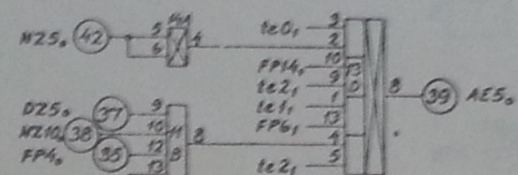
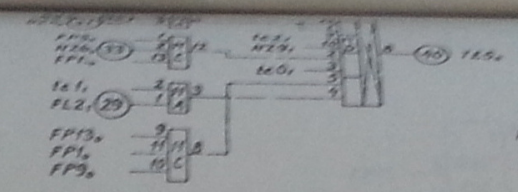
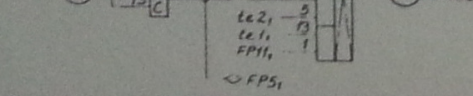
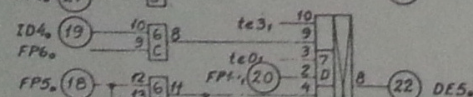
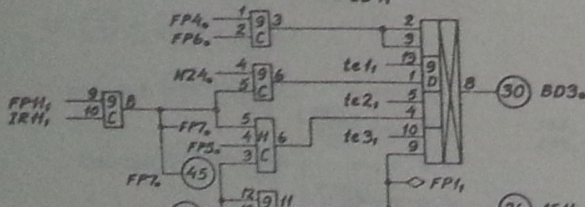
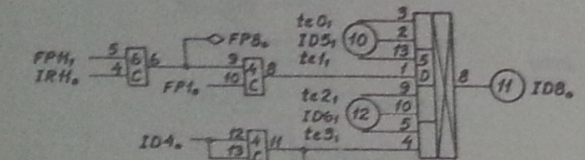
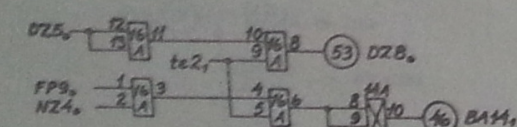
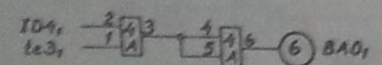
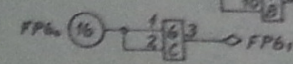
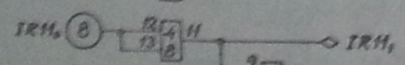
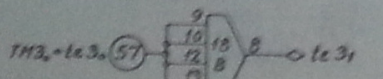
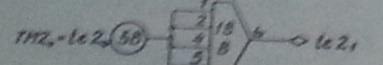
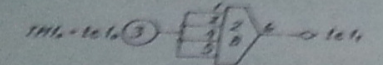
- 7400 9
- 02 4
- 10 2
- 20 3
- 40 1
- 50 4
- 74 1
- 24шт.



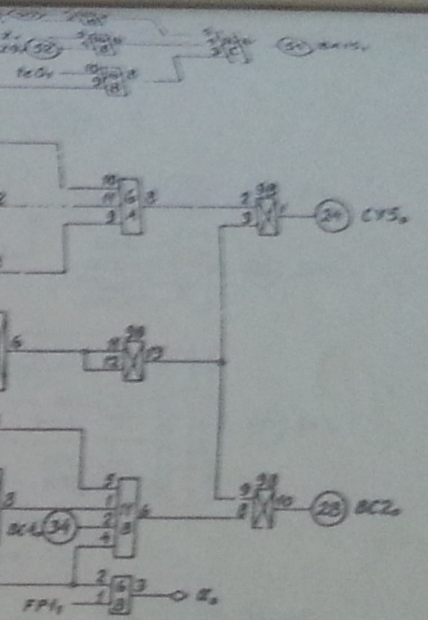
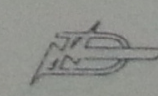
Model	Date	Sign.
BIT INSTRUCTION		
133		
A/S NORSK DATA-ELEKTRONIK		2433

ND-01.004.01

TH1 - te 1

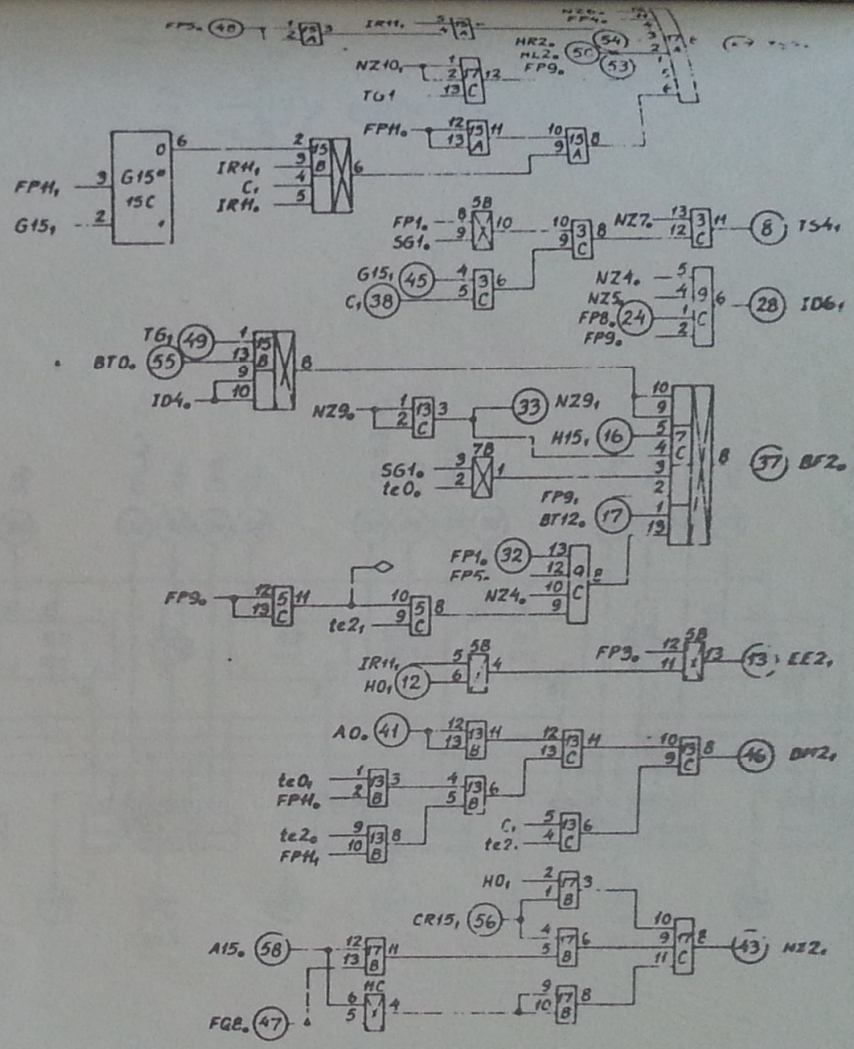
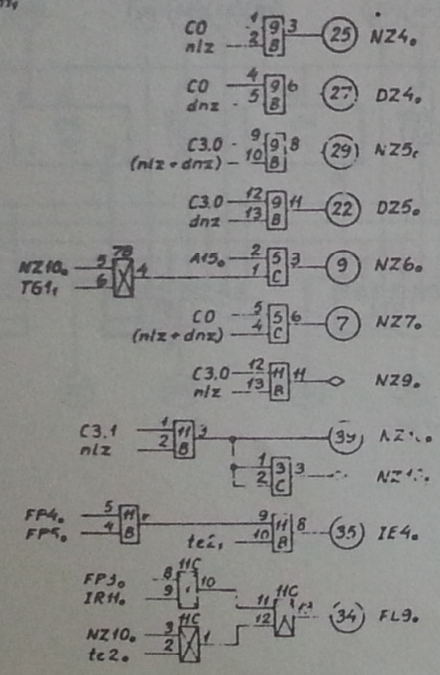
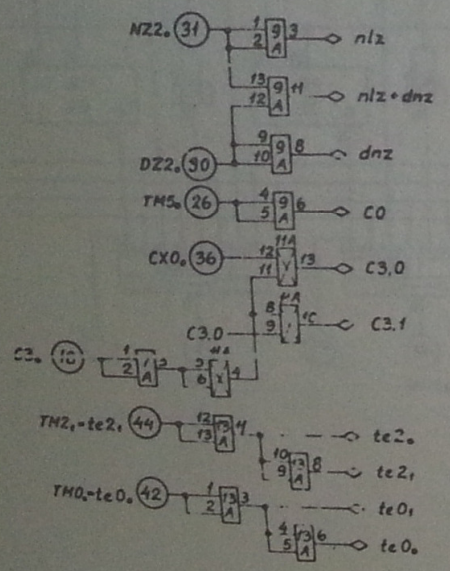
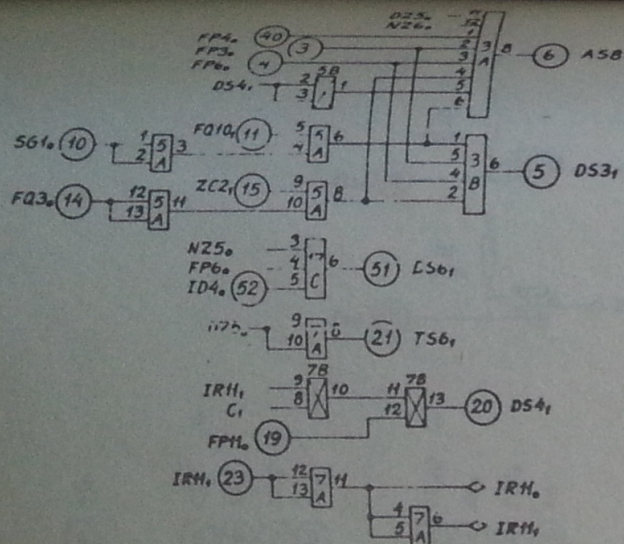


7400 10
02 2
10 3
20 1
40 3
50 1
53 8
28 pt

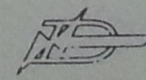


Rev.	Date	Sign.
FLOATING CONTROL		
136		
A/S NORSK DATA-ELEKTRONIKK		2A36

NU-01 004 01



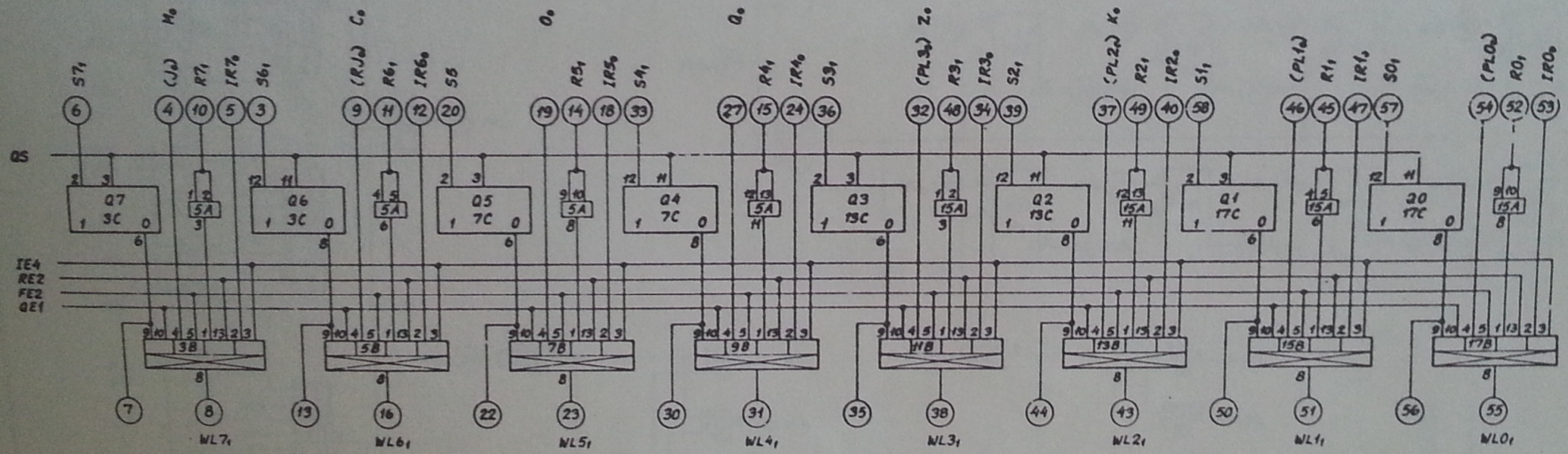
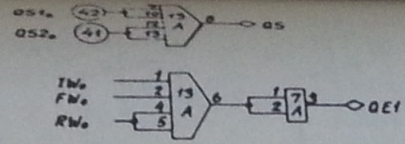
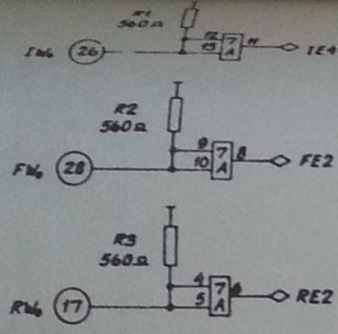
7-00	12
02	4
10	1
20	2
30	2
50	1
53	1
74	1
24PK	



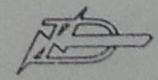
Rev. 1	Date	Drawn
FLOATING CONTROL		
137		
A/S NORSK DATA-ELEKTRONIK		24-69
2A37		

ND-01.004.01

() - 140.2

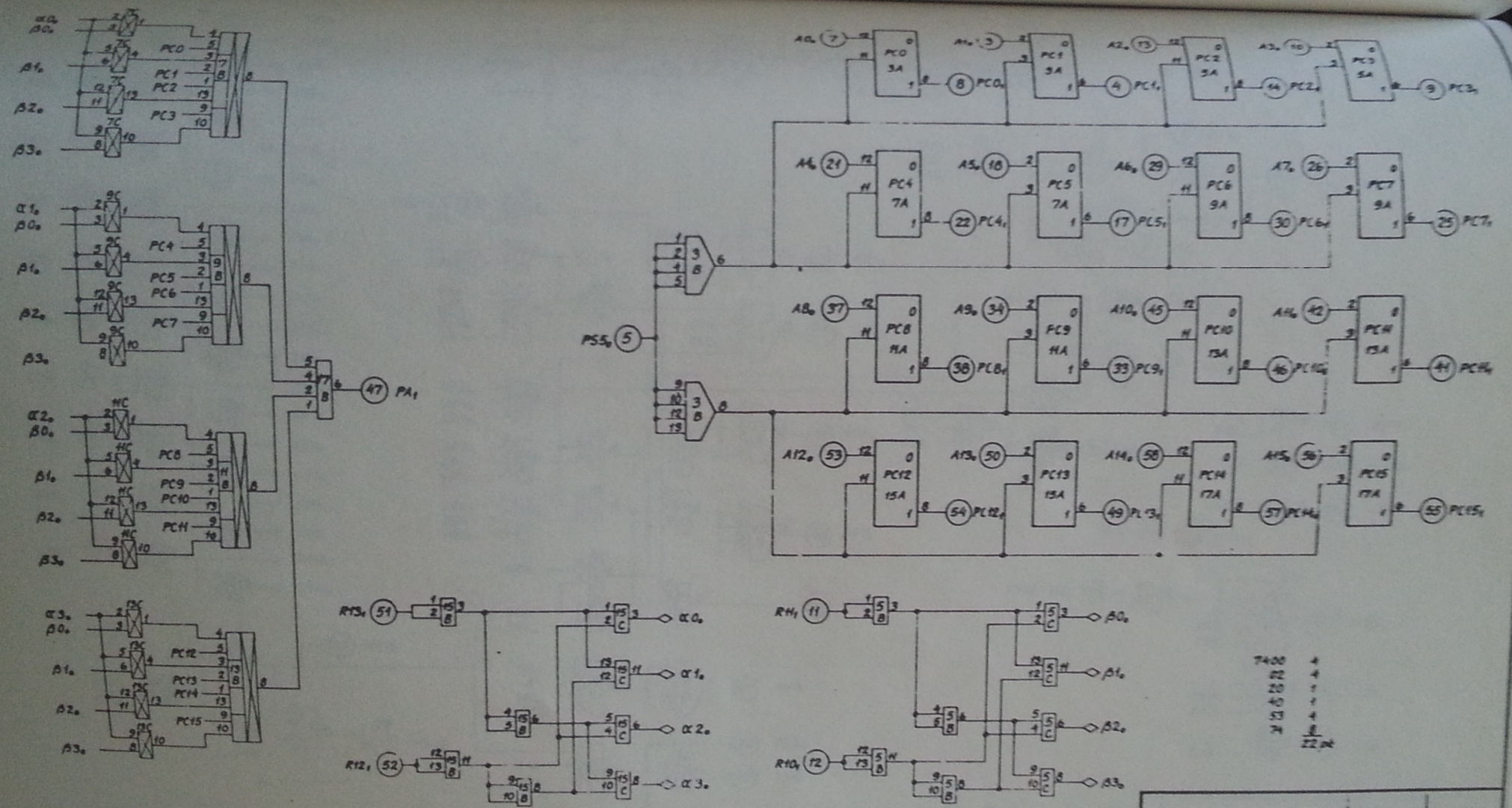


7400 3
40 1
54 8
74 4



Model		Date	Sign.
LAMP REGISTER 140		Material	Page 6 of 69
		Number	
A/S NORSK DATA-ELEKTRONIKK		2A40	

ND-01.004.01

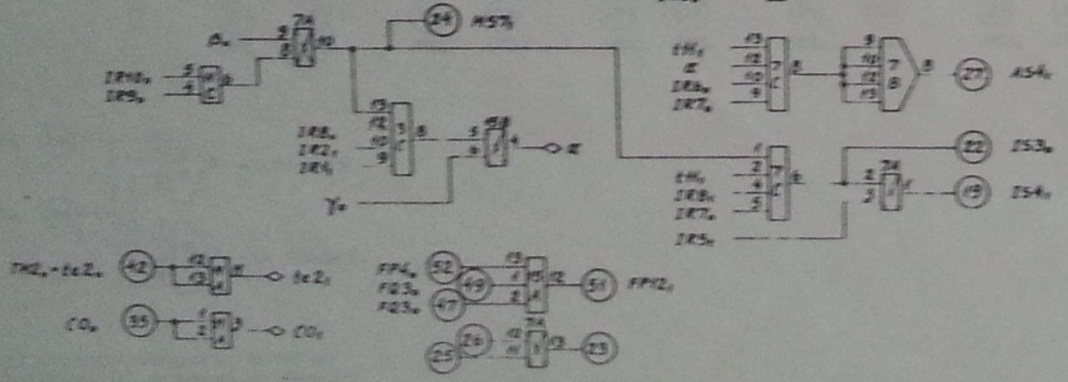
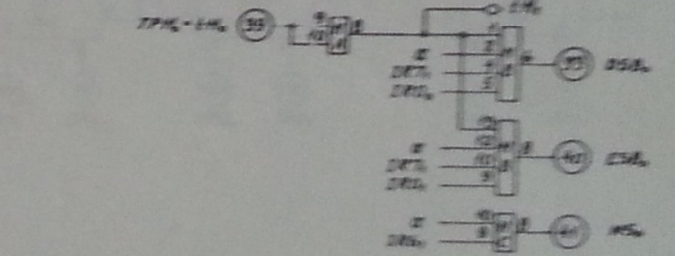
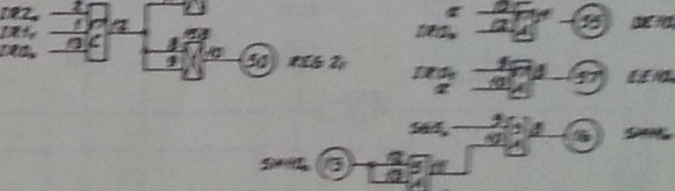
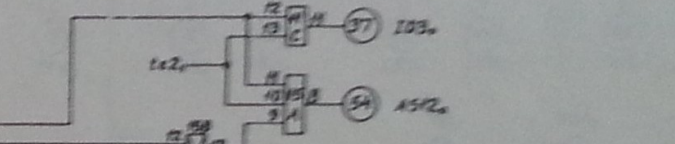
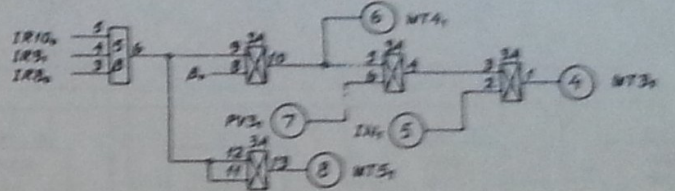
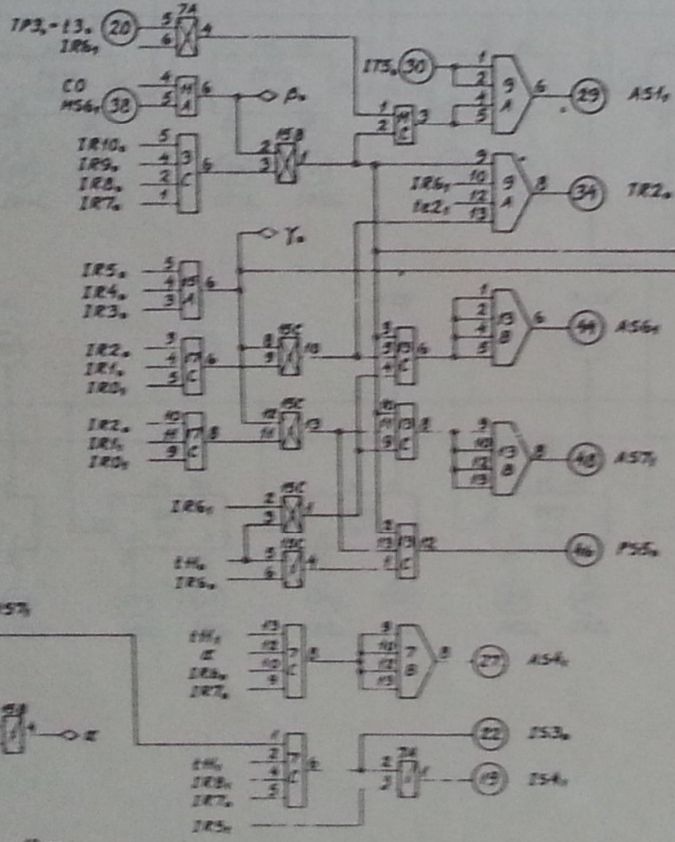
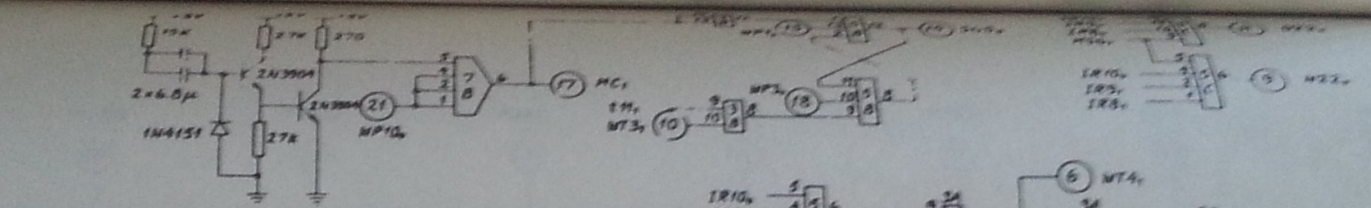
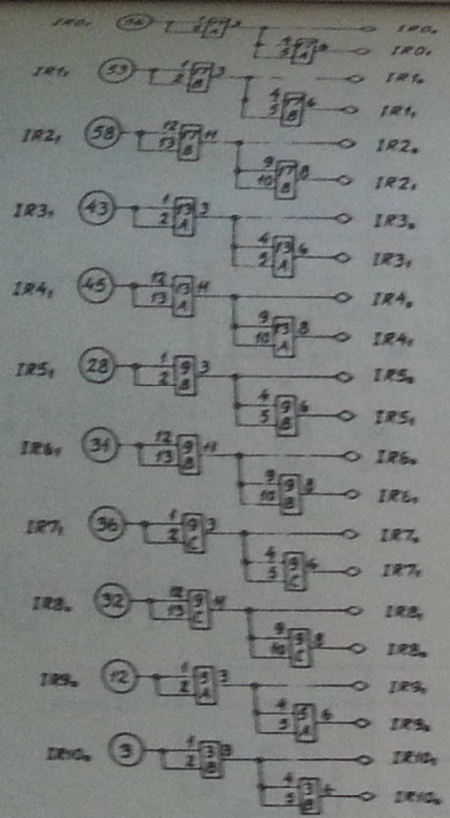


7400	4
22	4
20	1
40	1
53	4
34	1
<hr/>	
	22 pt

Model		Date		Sign.	
PROTECTION				Page 1 of 1	
141				Date: 1964	
A/S BORDIC DATA-ELECTRONIC				2441	



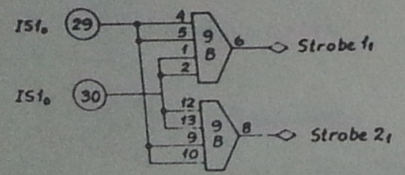
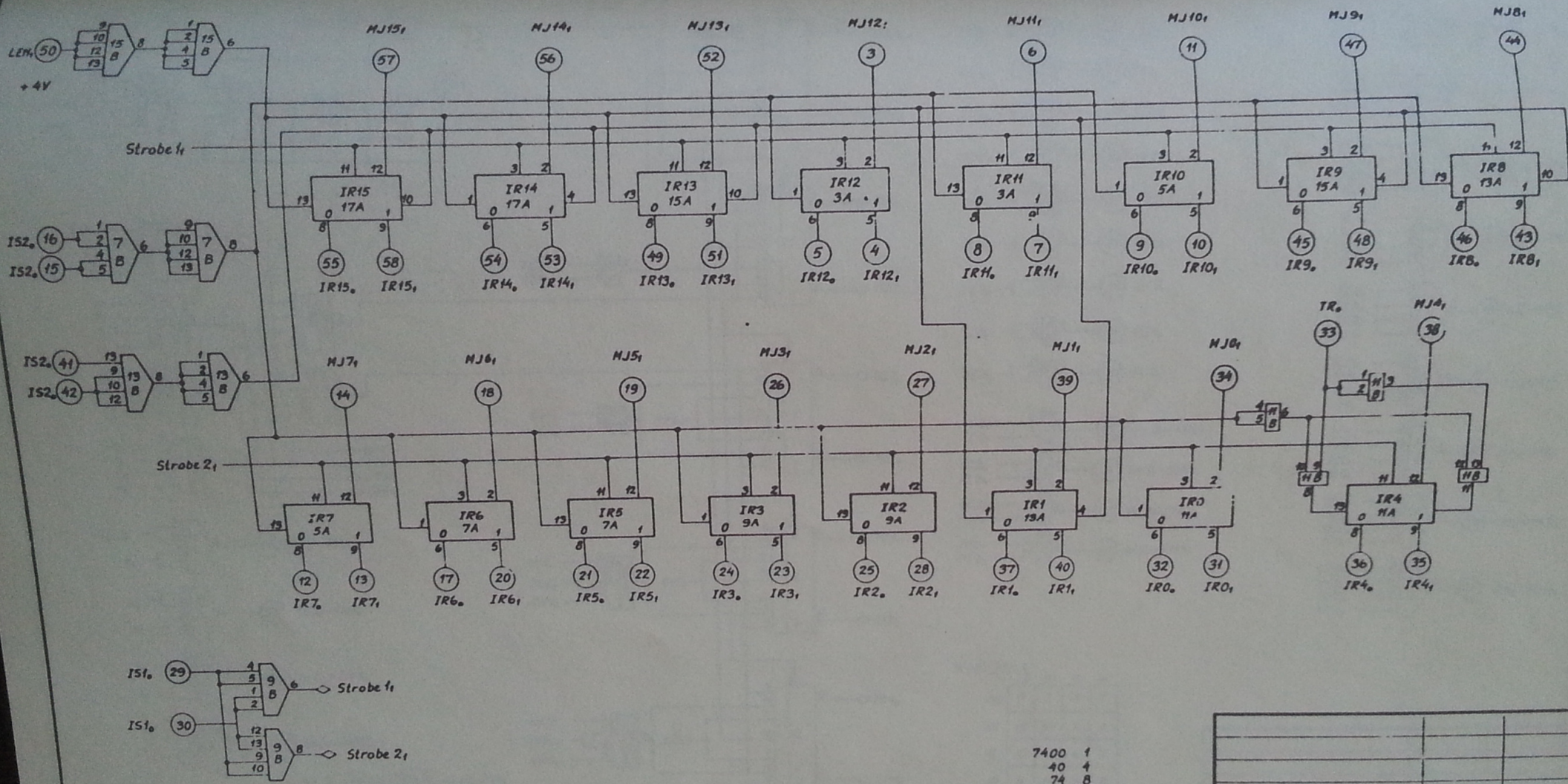
ND-01.004.01



7420 9
 12 4
 10 4
 20 4
 40 3
 24

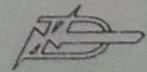
REGISTER TRANSFER		146	
AN WORD DATA ELECTRONICS		2846	

ND-01.004.01



IS2 will enter instruction 161402 or 161422 into IR, depending on signal TR
 (50) is to be used for register clear together with (15) (16)

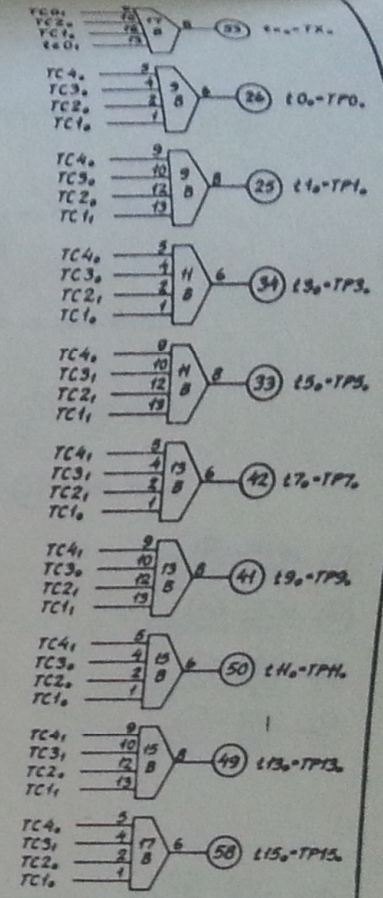
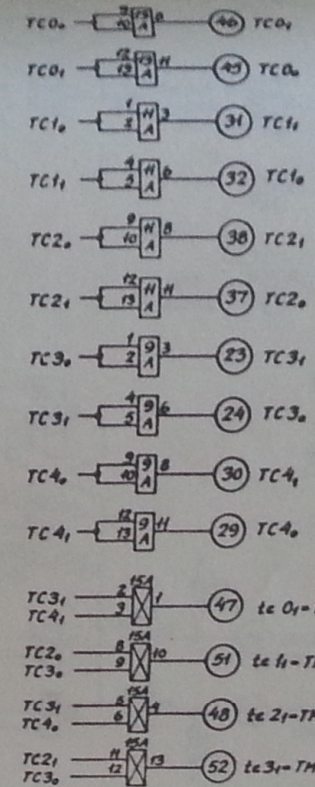
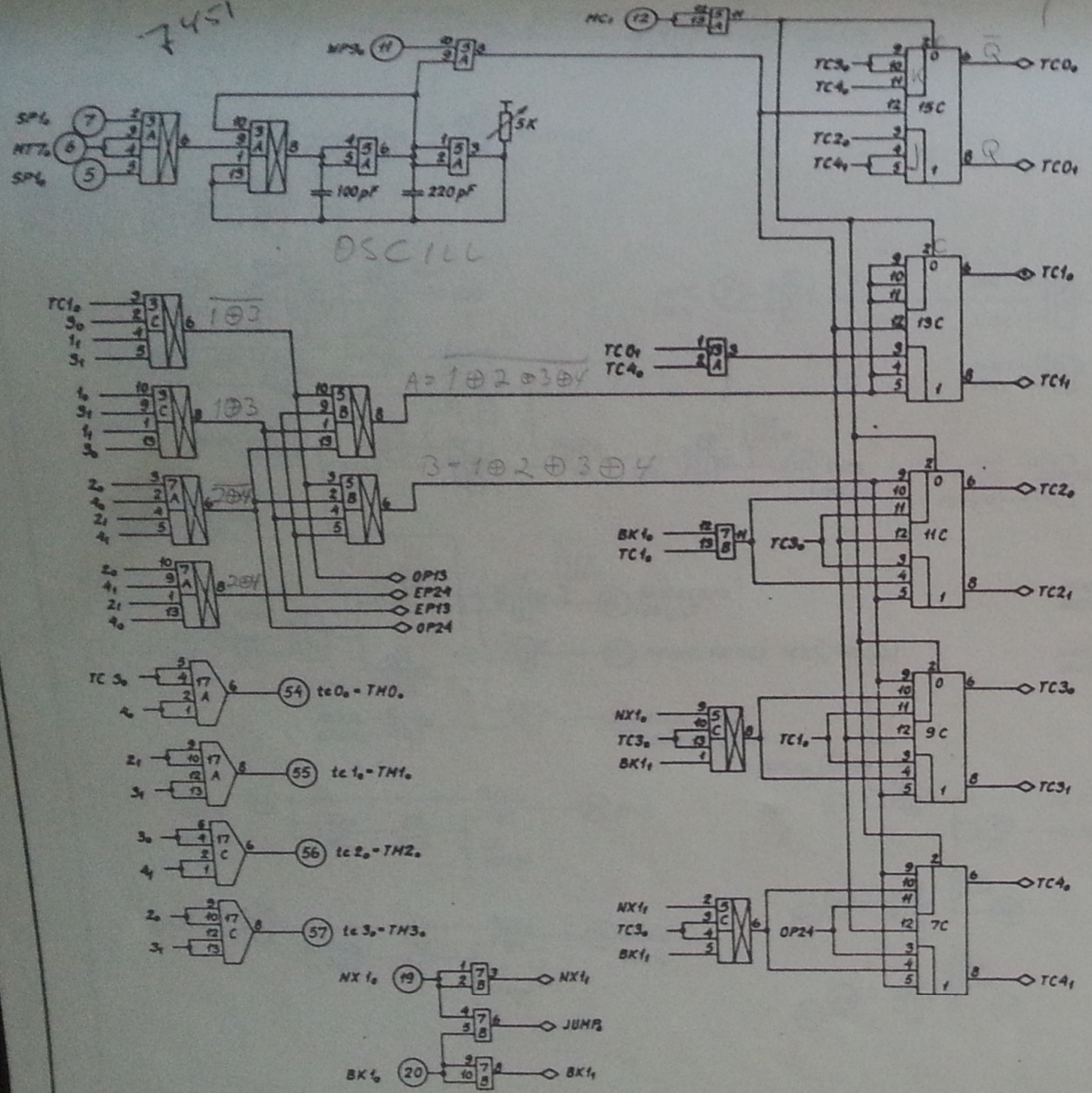
7400 1
 40 4
 74 8
 13pk



Model	Date	Sign.
REGISTER 150		
Manufacturer	Techn. Exam.	13/6-69
A/S NORSK DATA-ELEKTRONIK		2 A50

ND-01.004.01

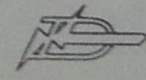
2451



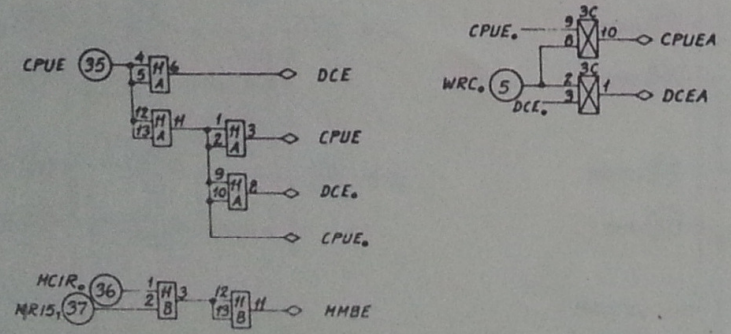
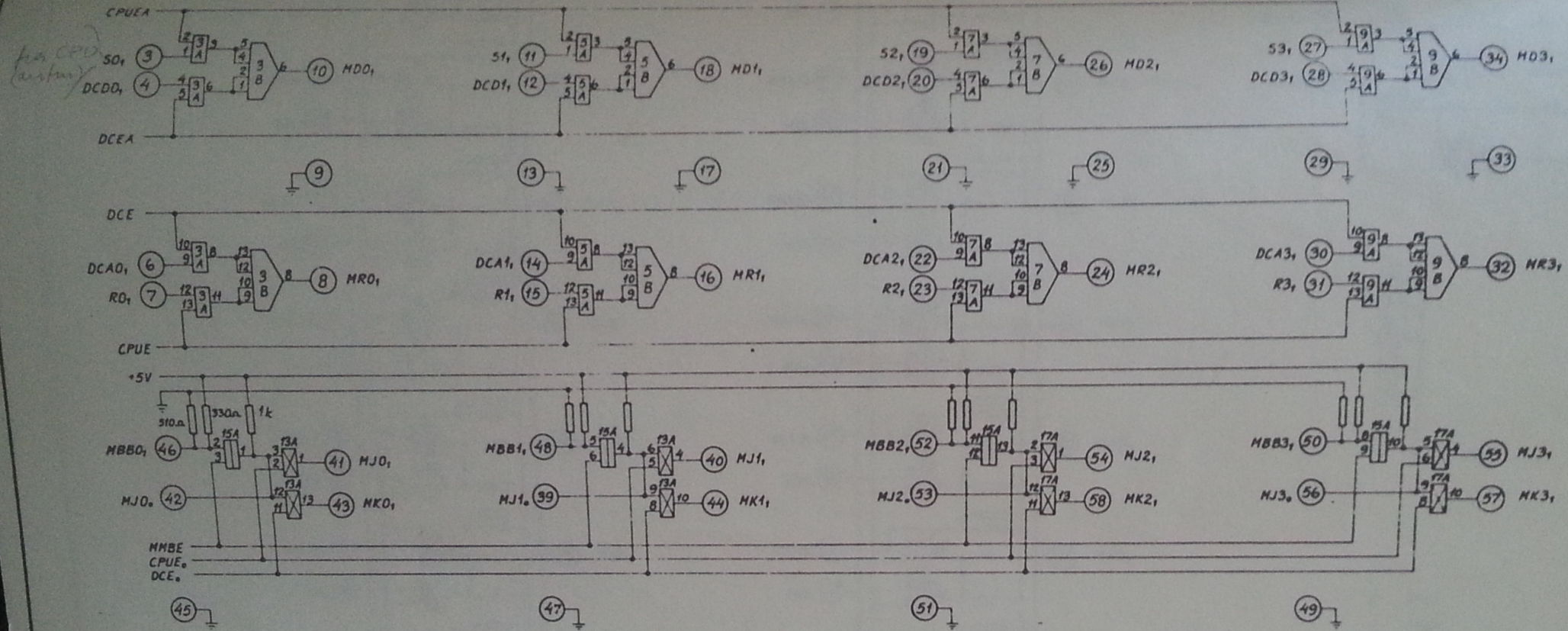
TC43

	00	01	H	10
00	0	1	2	3
01	15	14	5	4
11	12	13	6	7
10	H	10	9	8

Model	Date	Sign.
TIME COUNTER		
151		
Manufacturer	Page	5-4
Author		
A/S NORSK DATA-ELEKTRONIK		2A51



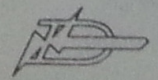
ND-01.004.01



- 6 7400
- 1 7401
- 3 7402
- 4 7440
- 14

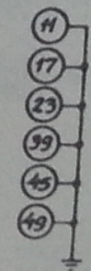
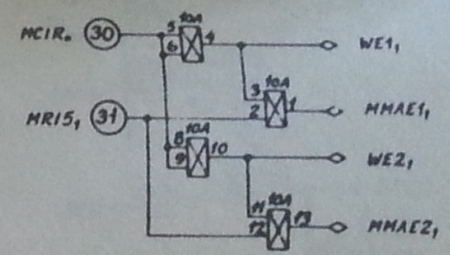
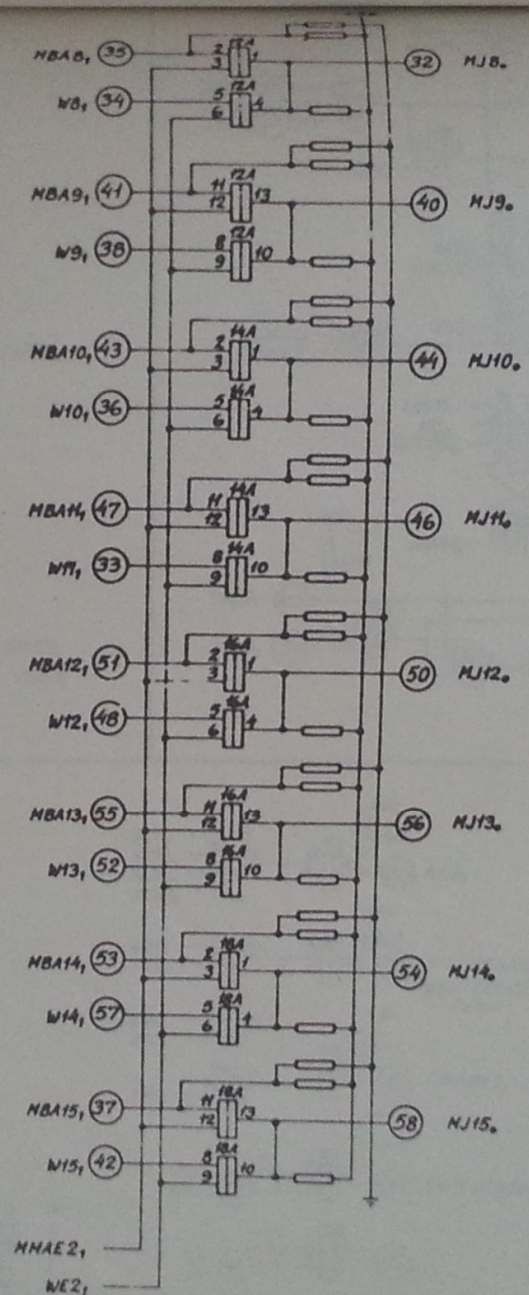
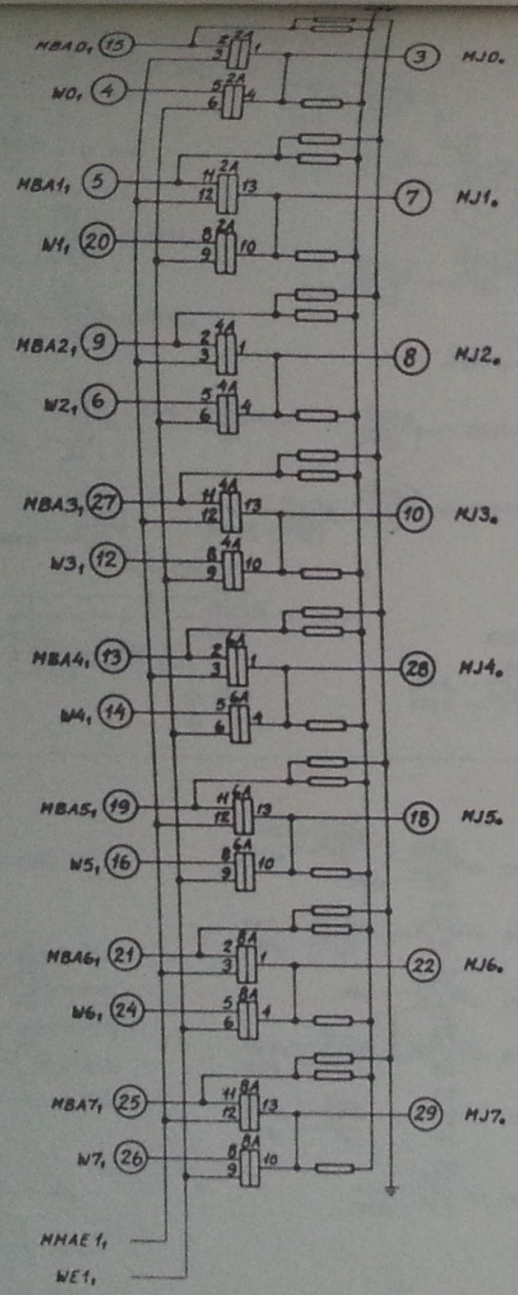
12 RESISTORS

55 TERMINALS

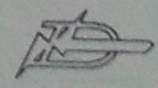


MEMORY BUFFER 158/II		26 578
A/S NORSK DATA-ELEKTRONIK		2A58

ND-01.004.01

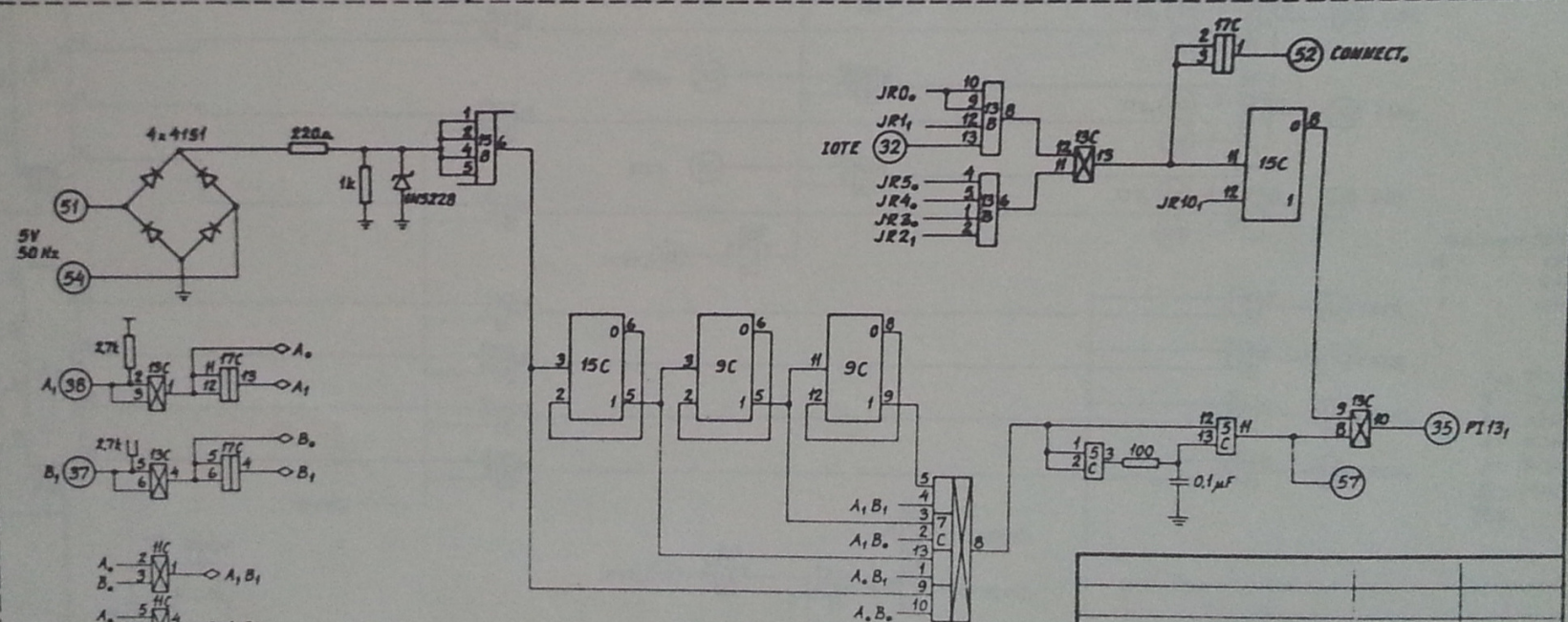
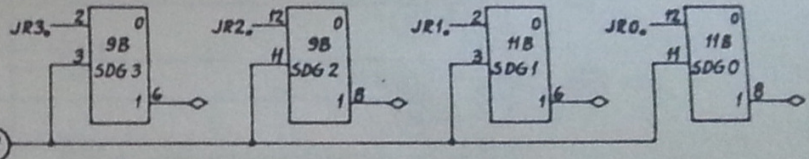
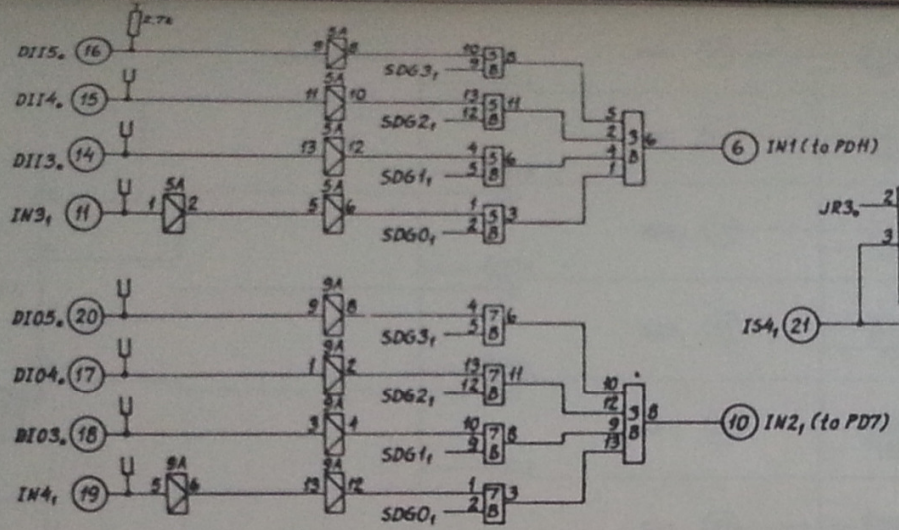
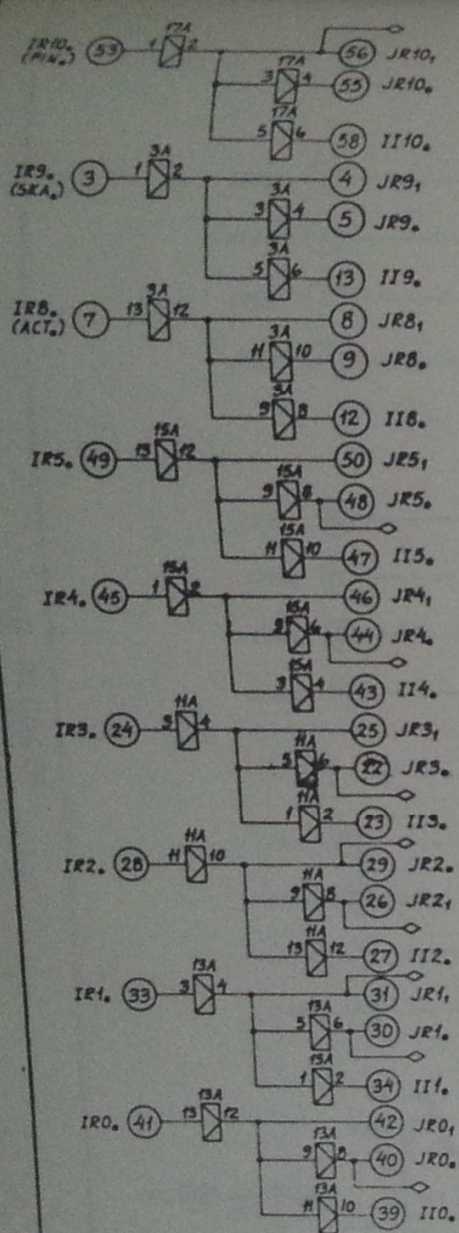


- 8 7401
- 1 7402
- 9
- 48 RESISTORS
- 56 TERMINALS



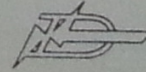
MEMORY OR		236 69	
159			
A/B NORSK DATA-ELEKTRONIKK		2A59	

ND-01.004.01



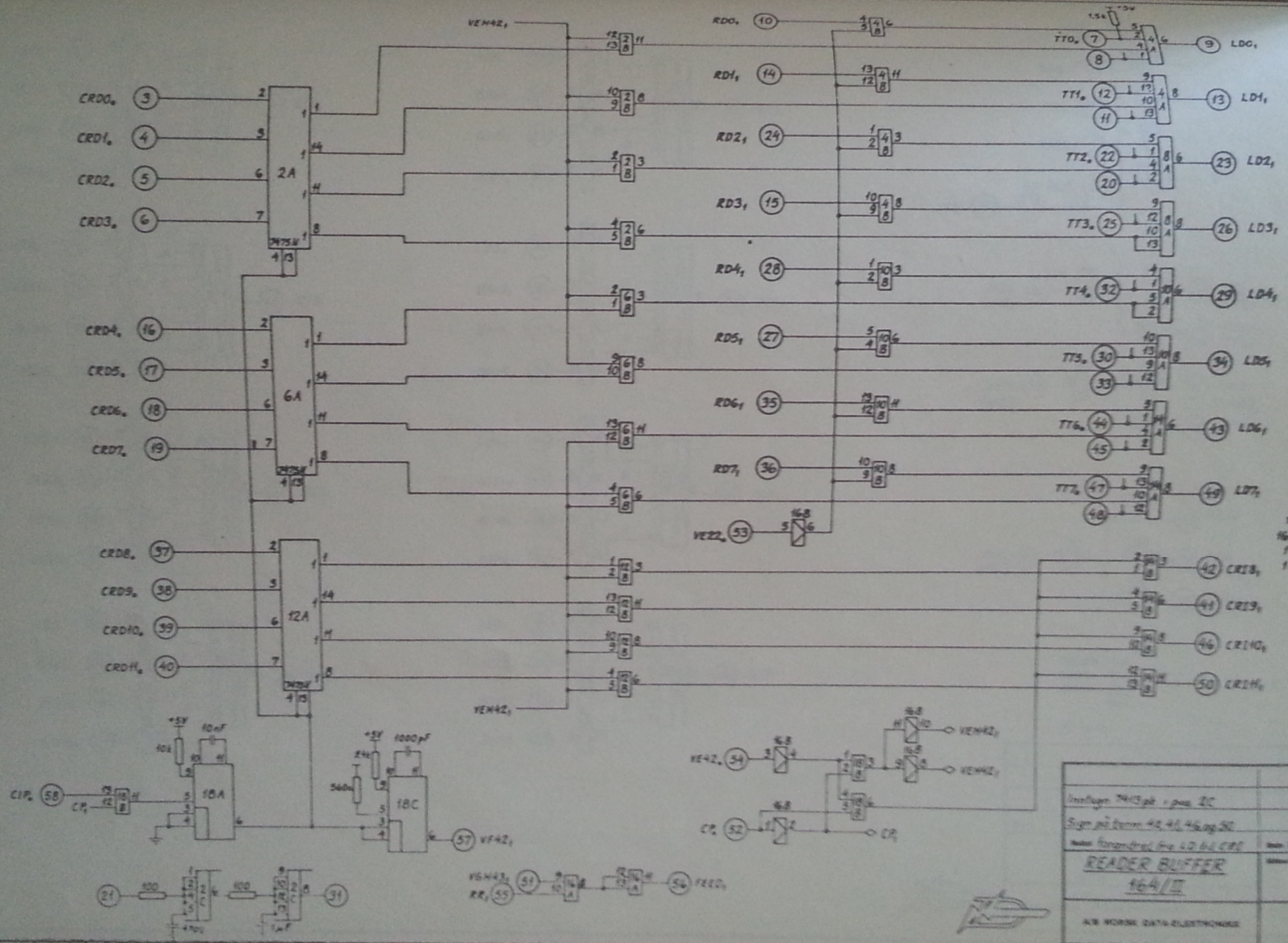
For 100 Hz interrupt: A = GND, B = GND
 • 50 Hz • • : A = GND, B = +5V
 • 25 Hz • • : A = -5V, B = GND
 • 12.5 Hz • • : A = +5V, B = +5V

- 3pk 7400N
- 1 - 7401N
- 2 - 7402N
- 6 - 7404N
- 1 - 7413N
- 2 - 7420N
- 1 - 7453N
- 4 - 7474N



Product	Order No.	Page	Date
I/O OUTPUT AND CLOCK 163/II		12	2.74
A/S NORSK DATA-ELEKTRONIK		2A63/II	

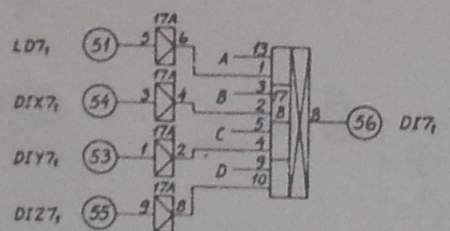
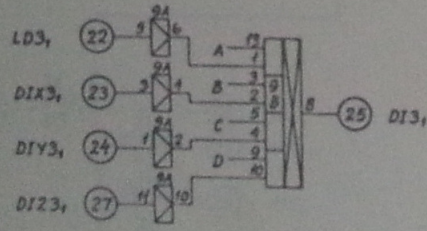
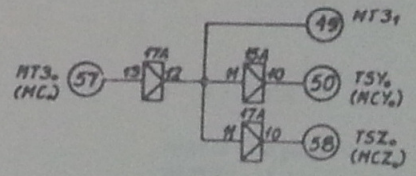
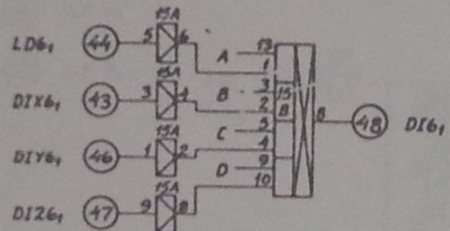
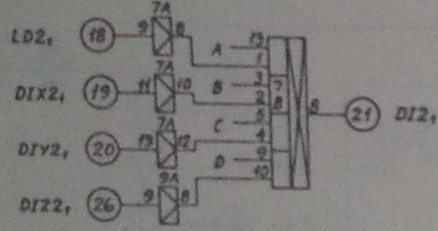
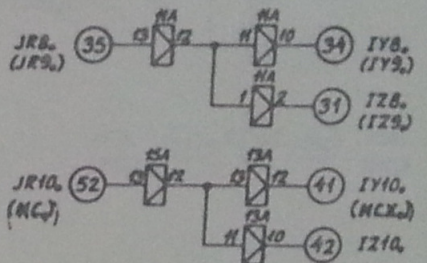
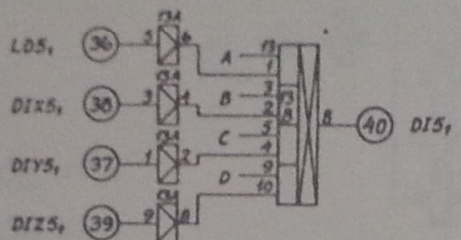
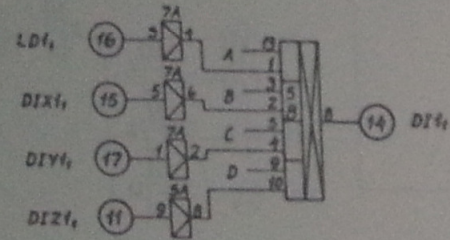
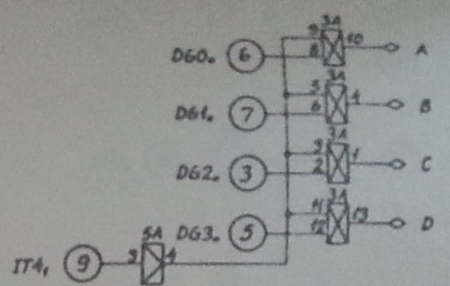
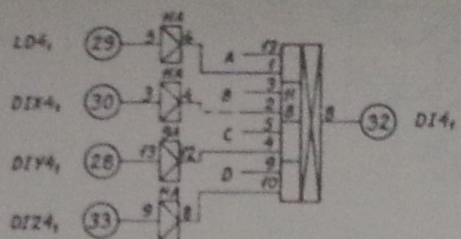
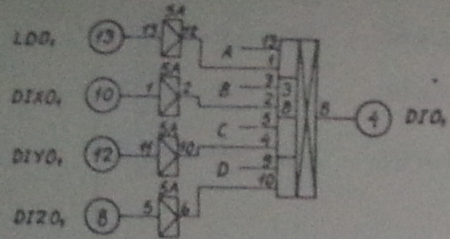
ND-01006.01



- Full count 560m
- 16 - - 134
 - 1 - - 244
 - 1 - - 104
- 1 pk 7413N
 8 - 7400N
 1 - 7404N
 4 - 7420N
 3 - 7475N
 2 - 7402N
 19 pk

Design: 7413 pk - pos. ZC Sign. pk. form. 42, 44, 46, 48, 50 Make transistor for LD and CRD Date: 15-12-70 Rev: 2.1.1.1.70	
READER BUFFER 16A/II	
AIR WORKS DATA-ELECTRONICS	
2A64/II	

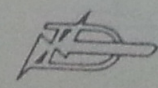
HD-01.004.01



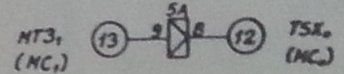
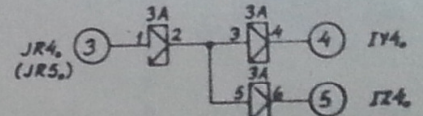
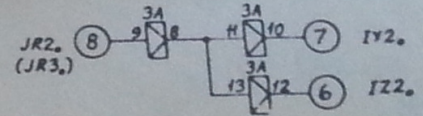
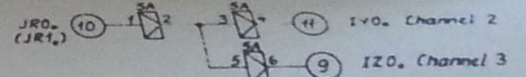
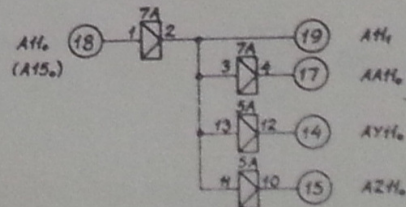
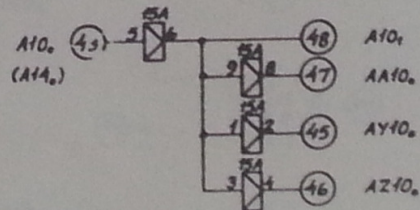
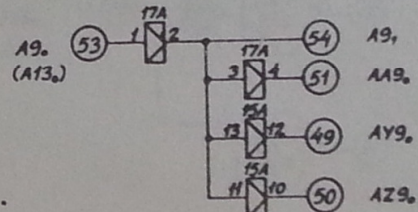
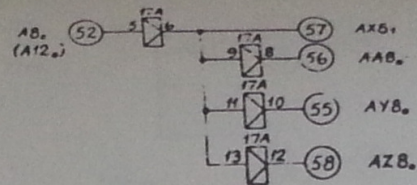
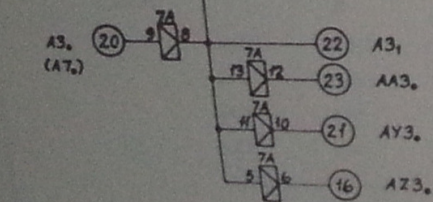
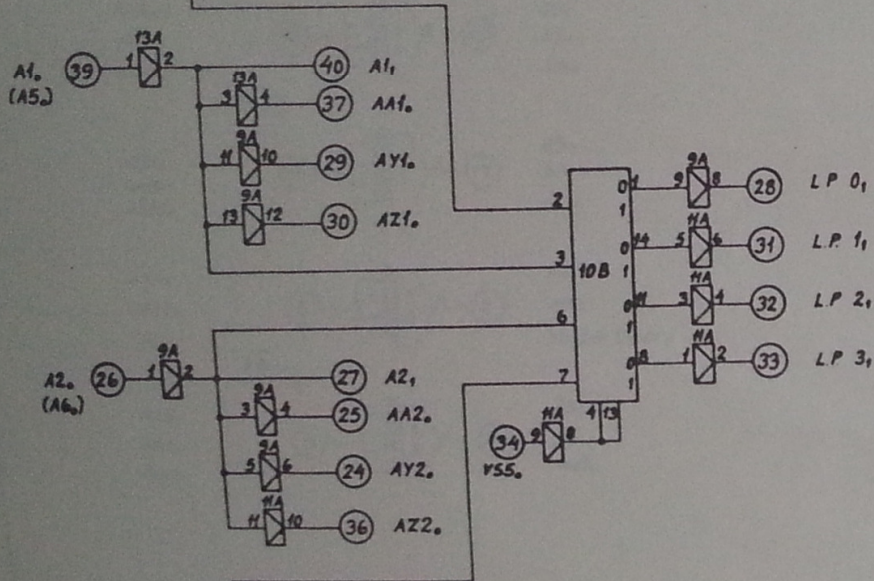
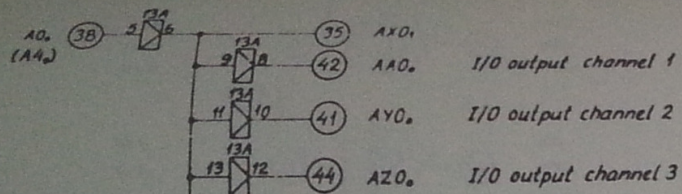
7402N 1pk
7404N 7.
7453N B-
16pk

55 term

Model		Order	Ship.
I/O INPUT		165	
A/S MORISK DATA-ELECTRONIK		2A65	



ND-01.004.01

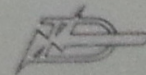


() = 166.2

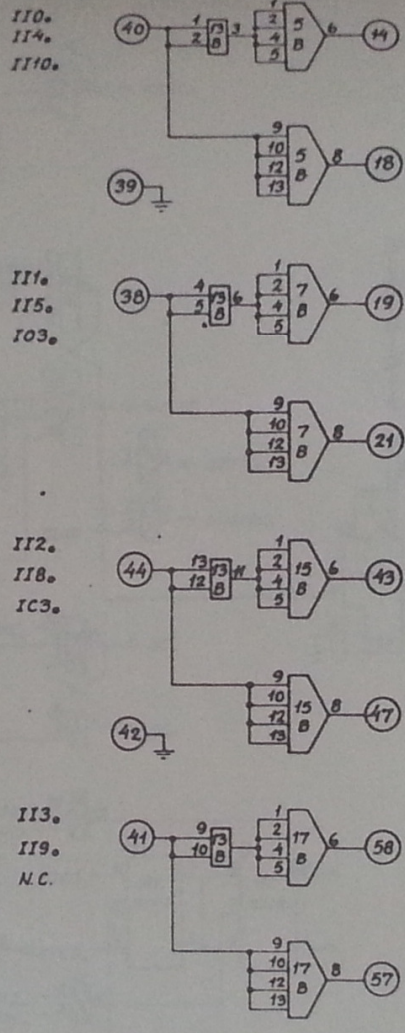
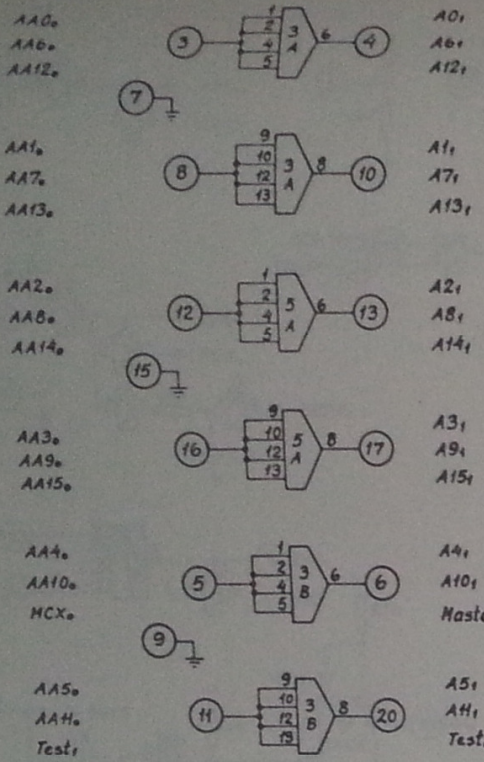
7404 N 8 pt
7475 N 1 -
9 pt

56 term.

Model	Rev	Ed
I/O OUTPUT		From Serial 174 62
166		Mark
AS MORSE DATA-ELECTRONICS		Part
2A66		

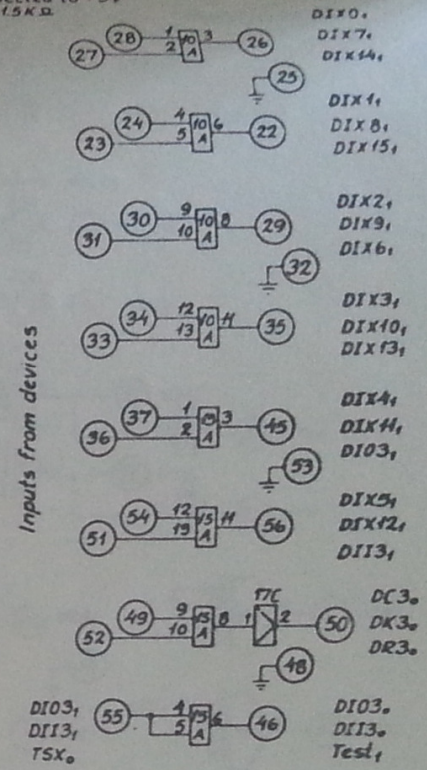


ND-01.004.01



IR0,
 IR4,
 IR10,
 IR0,
 IR4,
 IR10,
 IR1,
 IR5,
 IOTE,
 IR2,
 IR8,
 IOTC,
 IR2,
 IR8,
 IOTC,
 IR3,
 IR9,
 N.C.,
 IR3,
 IR9,
 N.C.

All device inputs connected to +5V via 15KΩ.

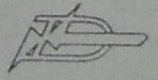


Inputs from devices

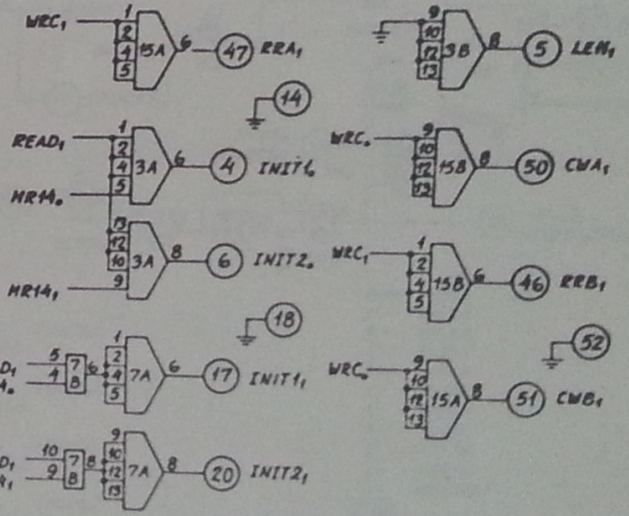
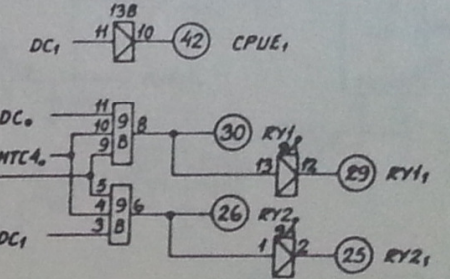
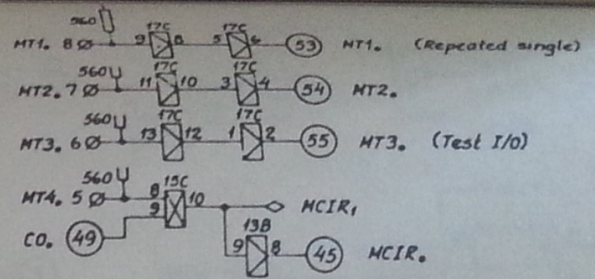
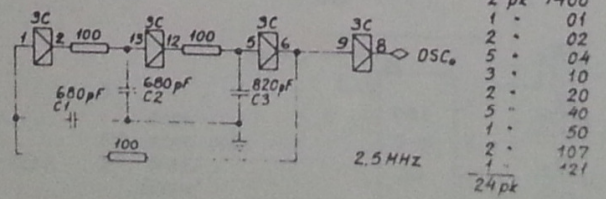
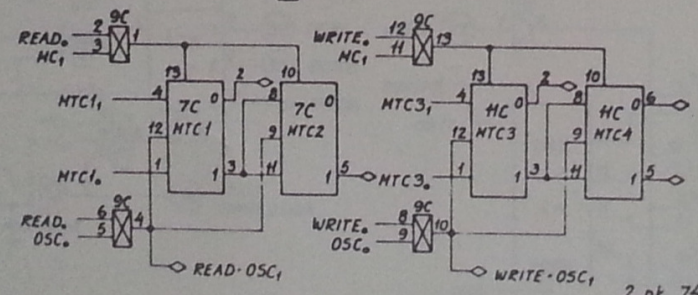
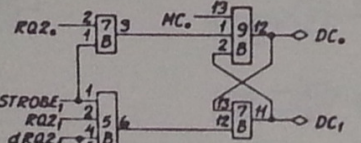
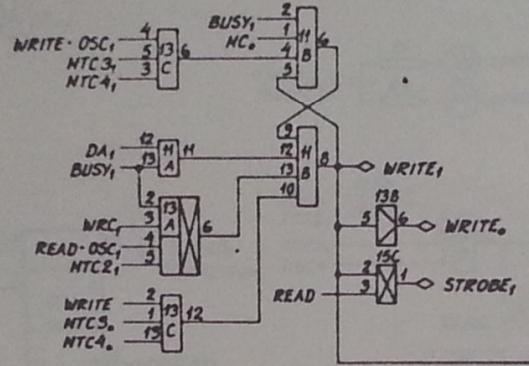
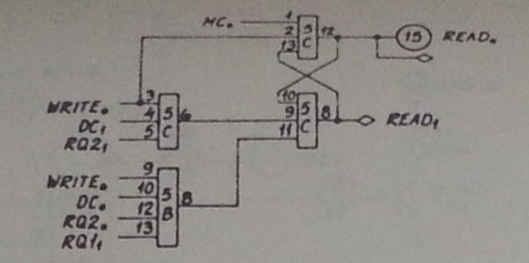
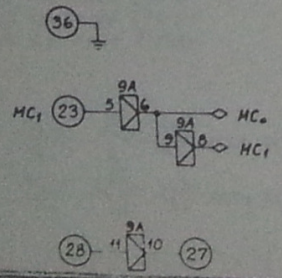
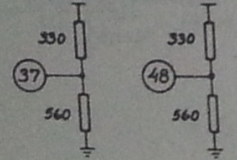
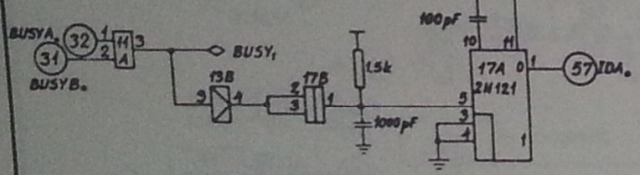
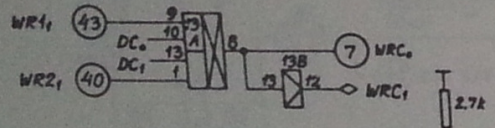
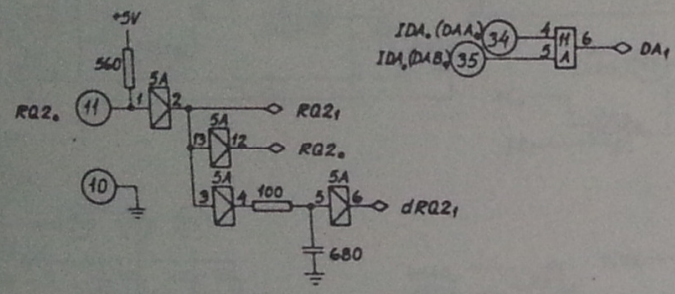
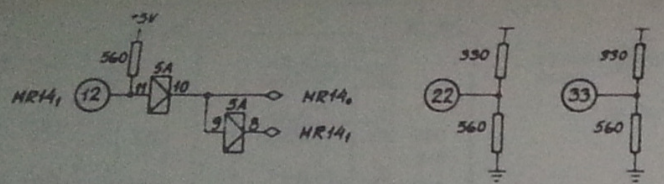
DIX0,
 DIX7,
 DIX14,
 DIX1,
 DIX8,
 DIX15,
 DIX2,
 DIX9,
 DIX6,
 DIX3,
 DIX10,
 DIX13,
 DIX4,
 DIX11,
 DIX5,
 DIX12,
 DIX13,
 DC3,
 DK3,
 DR3,
 DIX0,
 DIX3,
 DIX13,
 Test,
 Test,
 Test

Channel	1	2	3
AA(i)	AY(i)	AZ(i)	
II(i)	IY(i)	IZ(i)	
I03	I04	I05	
IC3	IC4	IC5	
DIX(i)	DIY(i)	DIZ(i)	
DC3	DC4	DC5	
DK3	DK4	DK5	
DR3	DR4	DR5	
MCX	MCY	MCZ	
TSX	TSY	TSZ	

Rektøiser i forb med forandrings nr 4270		4 2 70	E-mail
Revidert	Dato	Sign.	Toppunkt 14.69
CHANNEL INTERFACE 168		Kasse	Kasse
A'S NORSK DATA-ELEKTRONIKK		2A68	

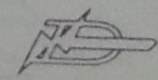


ND-01.004.01



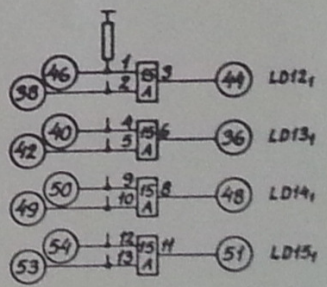
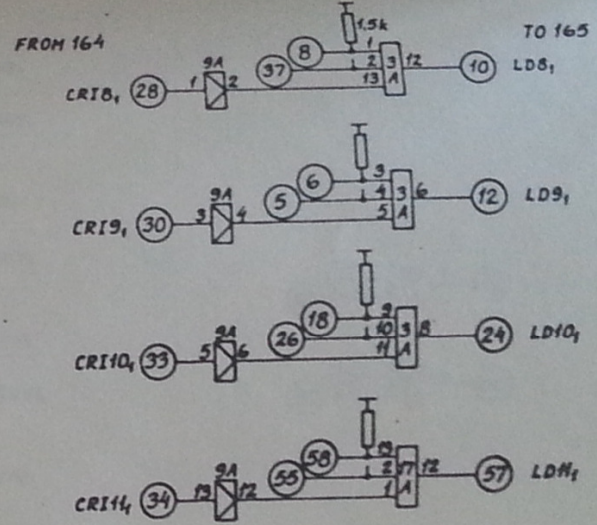
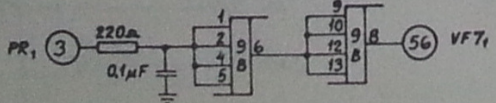
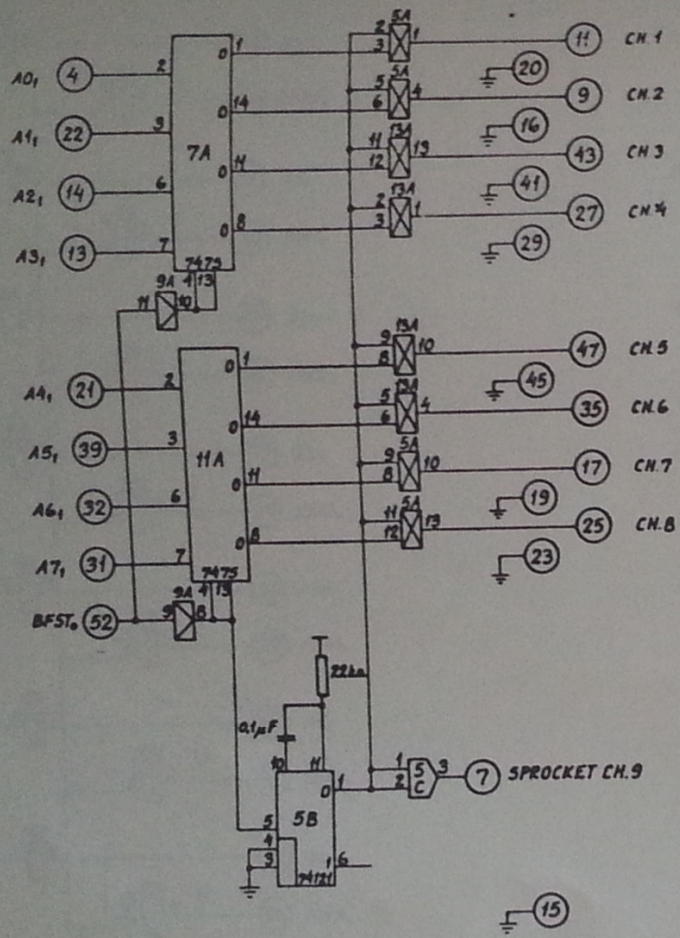
- 2 pk 7400
- 1 - 01
- 2 - 02
- 5 - 04
- 3 - 10
- 2 - 20
- 5 - 40
- 1 - 50
- 2 - 107
- 1 - 121
- 24 pk

40 term
20 resistors
6 capacitors



Integrn 74121pt 1 pos 19C	16.6.71	Exam
Term nr 24 for 15C12 isolat	2.9.70	Exam
for 9A3 Term nr 70g 41 avkommel		
CAMBRIDGE CONTROL		
169		
A/S NORBK DATA-ELEKTRONIKK		2A69

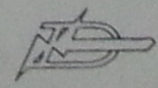
SPARES FOR INPUT TO A-REG. ON I/O CHANNEL 0



- 1 stk. 7437N
- 1 stk. 7400N
- 2 · 7402N
- 1 · 7404N
- 2 · 7410N
- 1 · 7413N
- 2 · 7475N
- 1 · 74121N

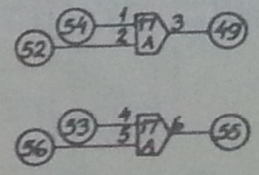
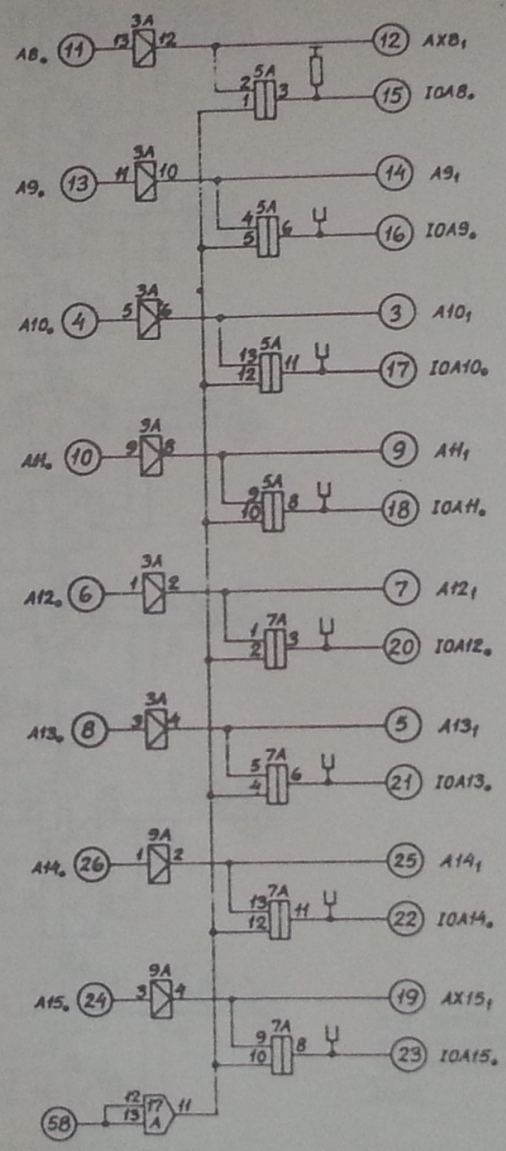
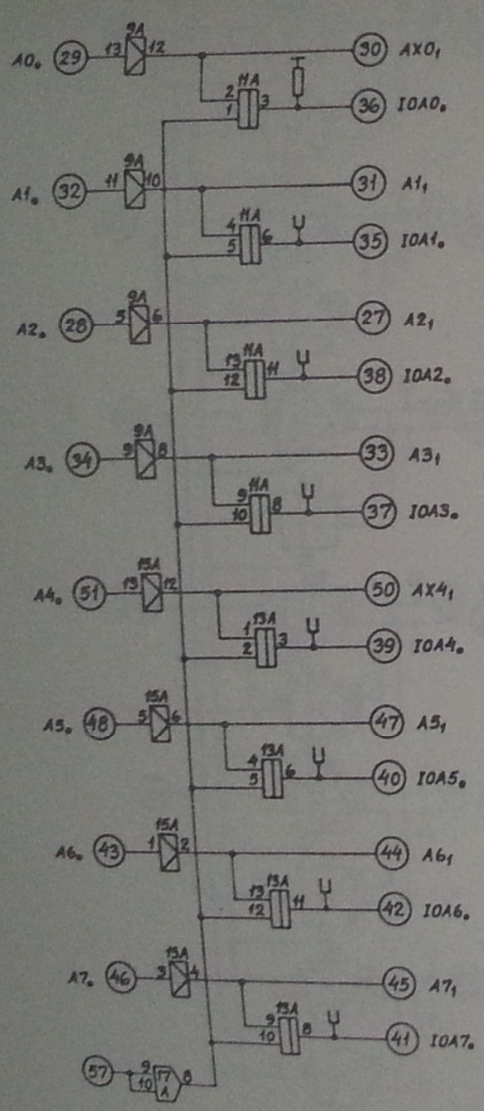
11stk
56 terminaler

Innlegn 7437 pk. i pos. 5C		29 6 71	Samt
Sign på term nr 28, 30, 33 og 34			
Revisjon forandret fra LD11.1 C&I		Dato 15.12.70	Sign. Samt
PUNCH BUFFER		Illustrasjon	Trykk Samt 4 9 70
179		Skisse	
A/S NORSK DATA-ELEKTRONIKK		Sign.	
		2A79	



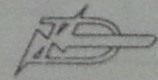
ND-01.004.01

ND-01.006.01

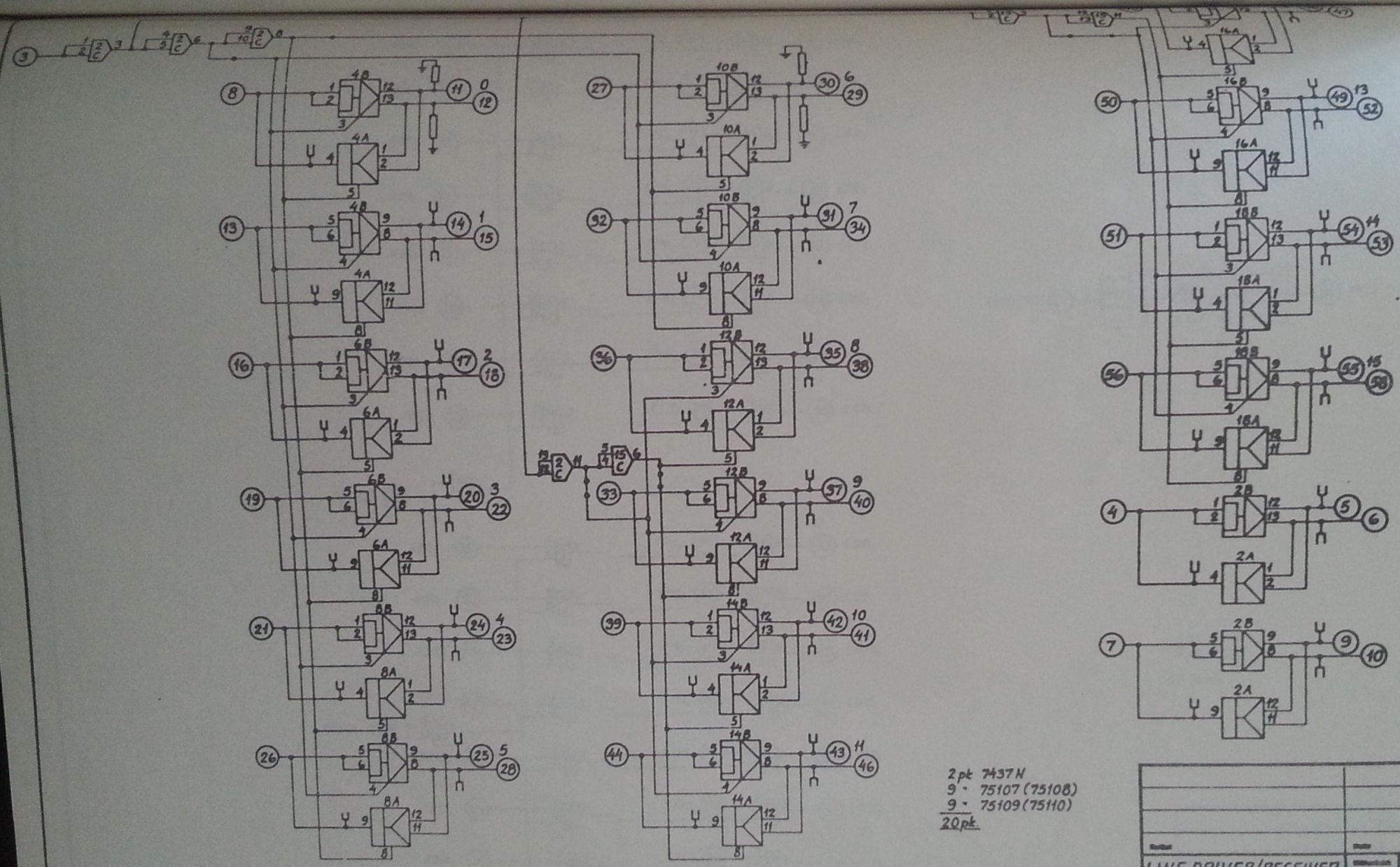


4 pt. 7403N
 3 - 7404N
 1 - 7437N
8 pt.

Dir. sign forandr fra AA 6:1 IOA	12 11 70	Emil
Termin nr på 3A 12 og 3A 10 forandr	10 11 70	Emil
Model	Date	Sign.
I/O OUTPUT		Udgivelsesnr. 23.10.70
184		Kont.
A/S WORKS DATA-ELEKTRONISK		Sign.
2A84		



ND-01.004.01

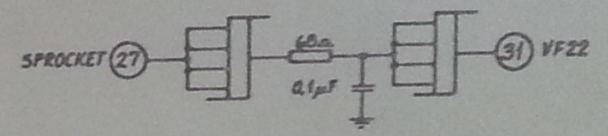
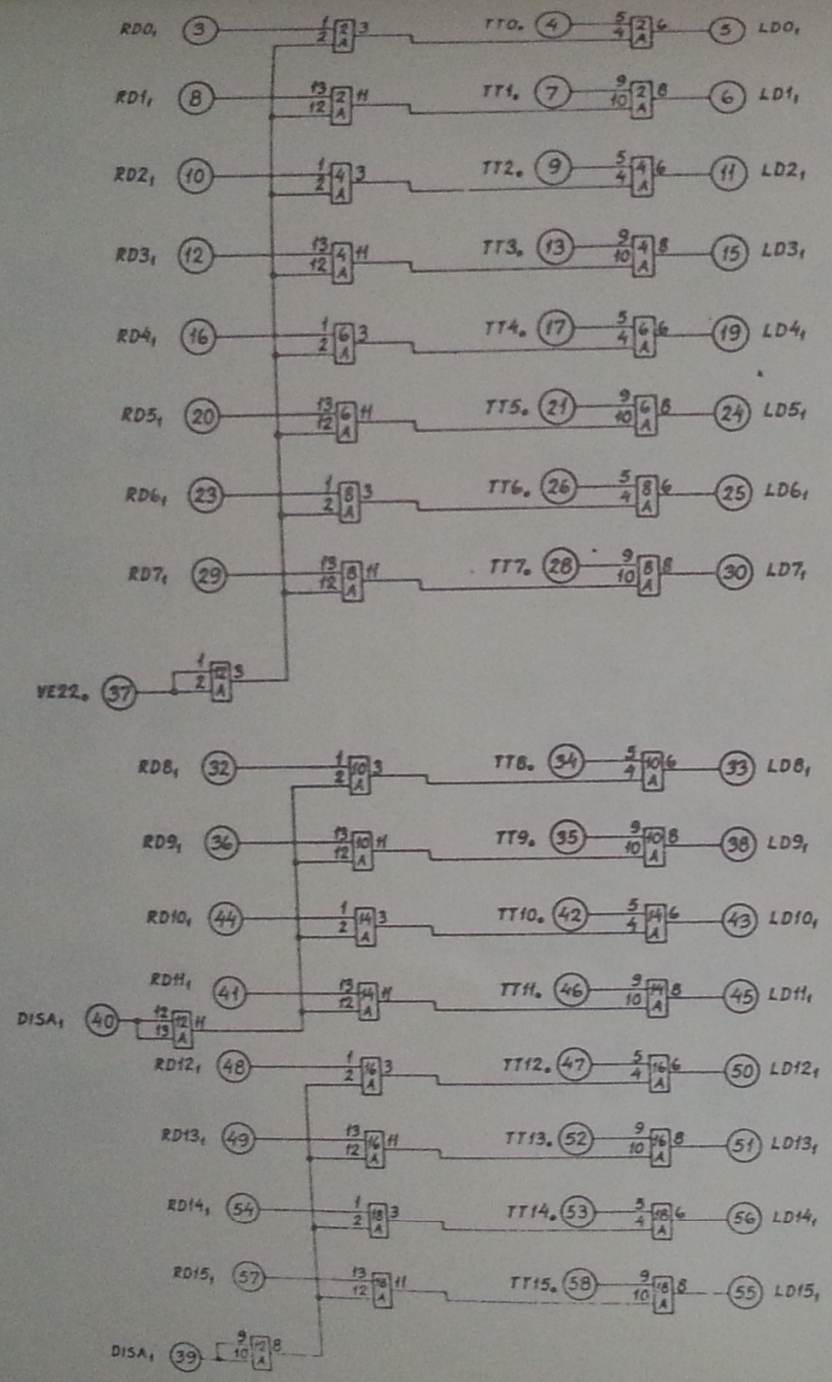


2pt 7437H
 9 - 75107 (75108)
 9 - 75109 (75110)
 20pt

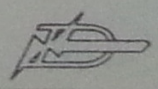


Model		Date		Ediz.	
LINE DRIVER/RECEIVER		185		Tape Ediz. 27.10.70	
A/S NORIK DATA-ELECTRONICS		2A85			

ND-0100101

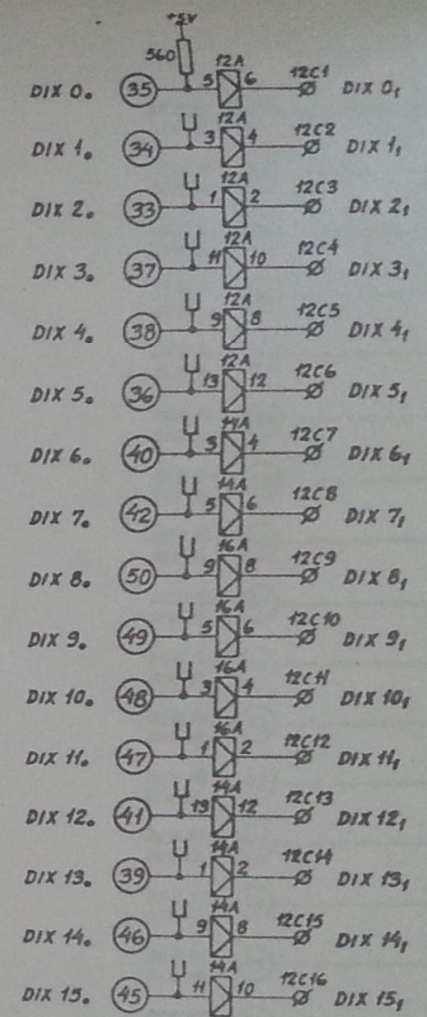
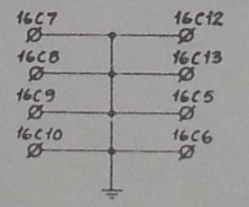
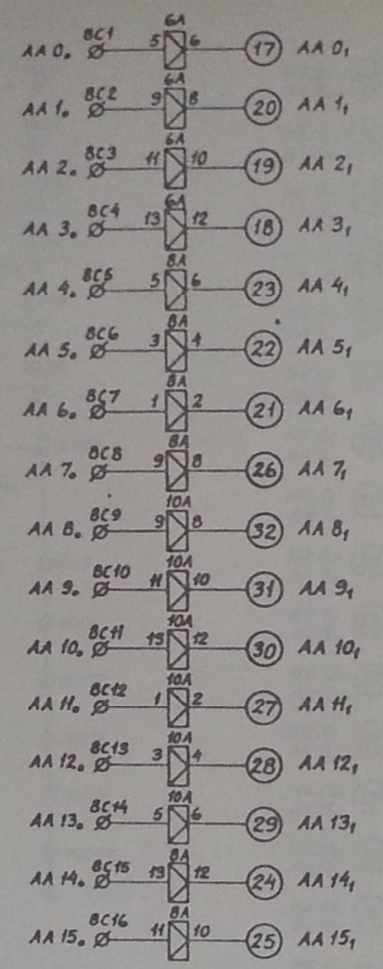
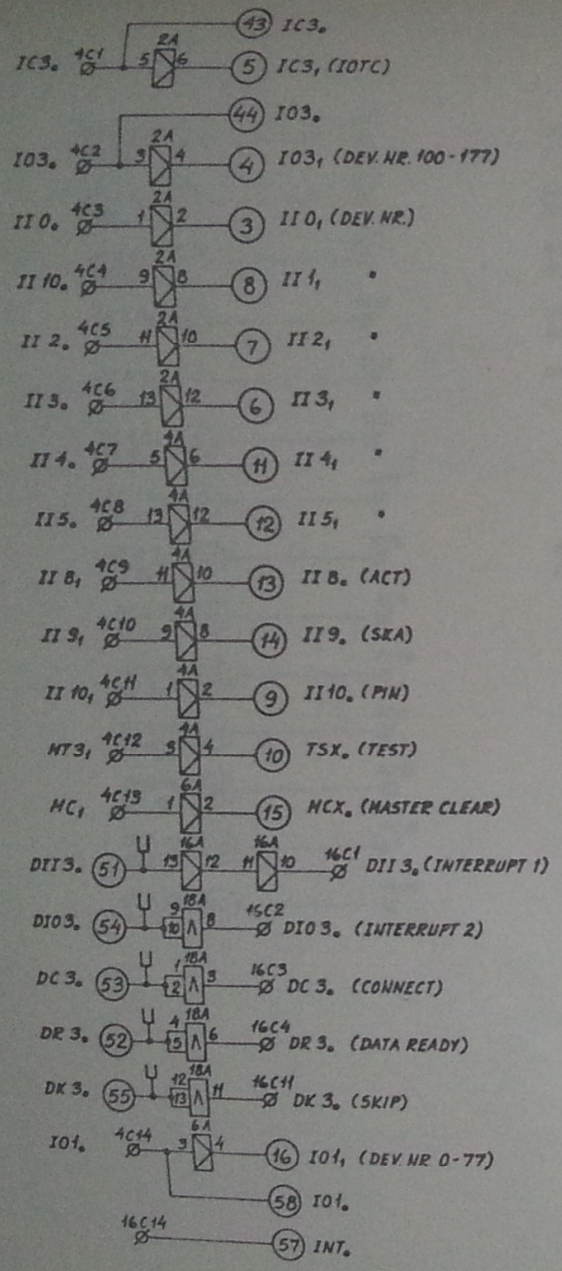


1 pt. 7413
9 pt. 7400
53 term.

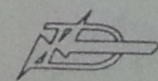


Påført sign navn og fsk 7413pt		5.6.71	Emne
Model	Stør	Elev	
I/O DATA BOARD 186		Trapp	Emne 2 4 70
		Kont	
A/S NORSK DATA-ELEKTRONIKK		2A86	

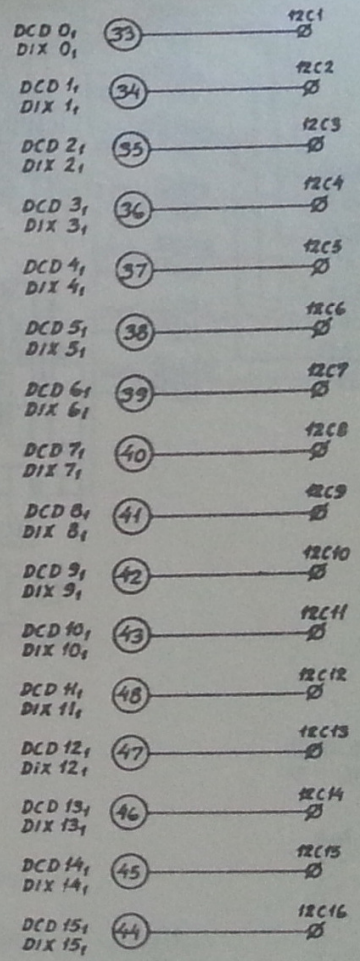
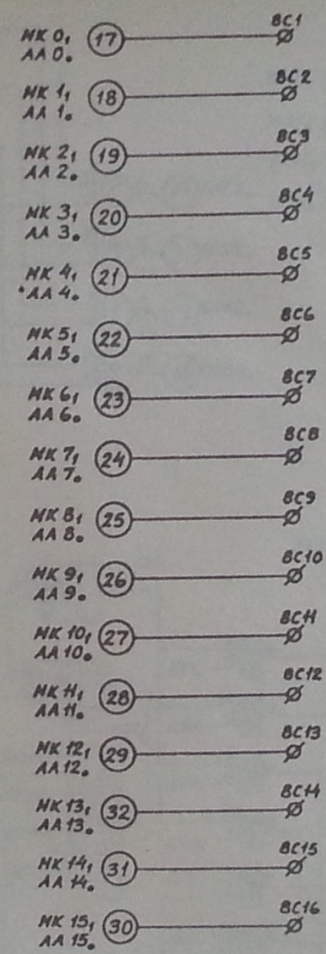
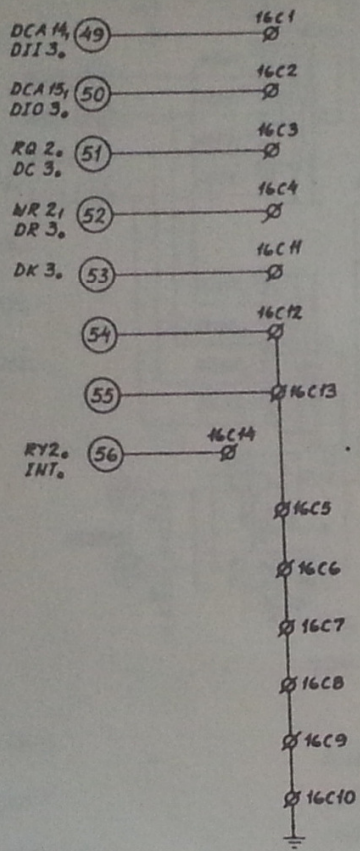
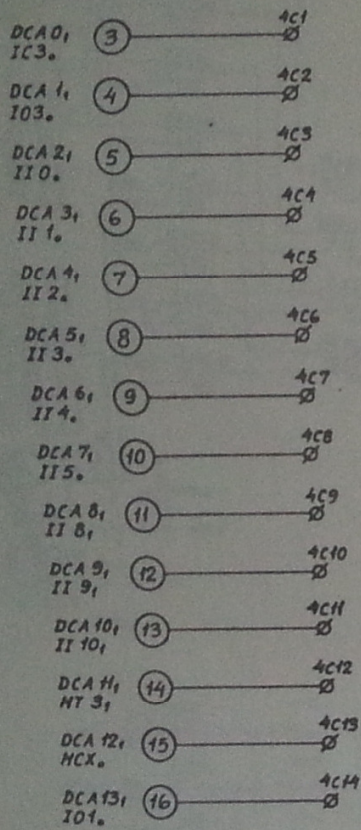
ND-01.004.01



8 pk. 7404N
 1 - 7408N
 2 pk 14 pins sockets
 2 - 16
 55 term.

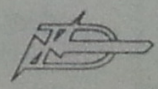


Model: INTERFACE BUFFER/CABLE Part No: 189		Date: _____ Sign: _____ Yuga: 20.1.77 Kadr: _____ Appr: _____
A/S NORSK DATA-ELEKTRONIKK		2489



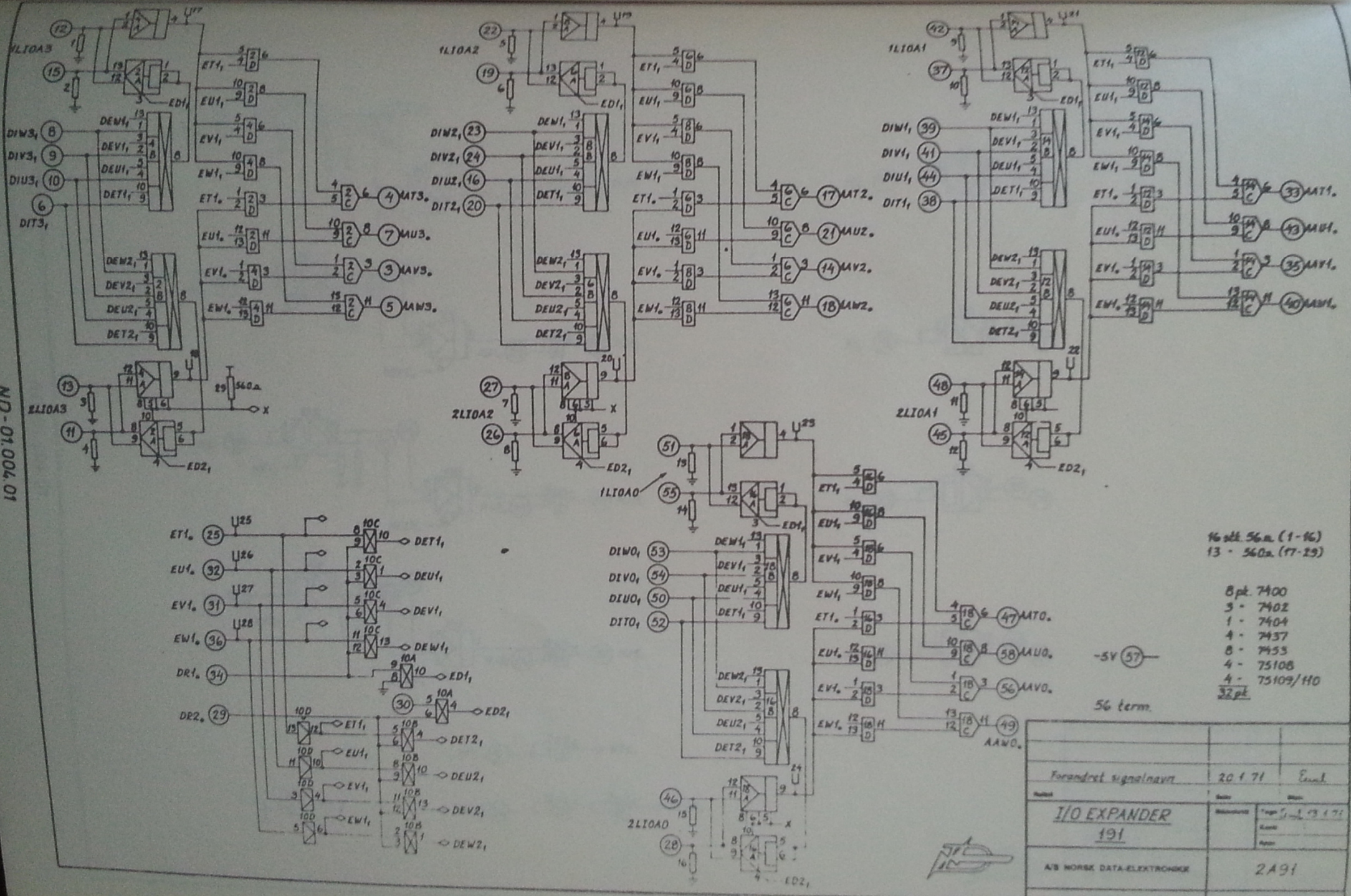
ND-01.004.01

2 x 14 pins sockets
 2 x 16 " "
 54 term.



Model		Serial		Sign.	
CABLE CARD 190		Manufactured	Topic	Serial	20.1.71
		Kont.		Appr.	
A/S NORSK DATA-ELEKTRONIK				2A90	

ND-01.004.01



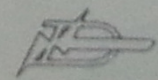
16 stl. 56a (1-16)
13 - 560a (17-19)

- 8 pk. 7400
 - 3 - 7402
 - 1 - 7404
 - 4 - 7437
 - 8 - 7455
 - 4 - 7510B
 - 4 - 75109/H0
- 32 pk

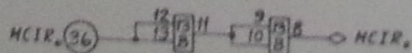
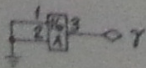
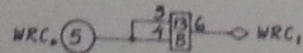
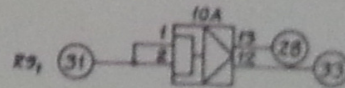
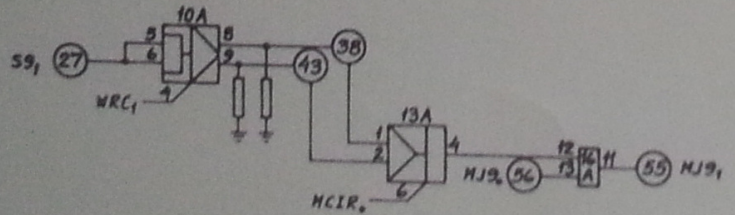
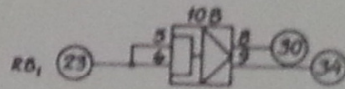
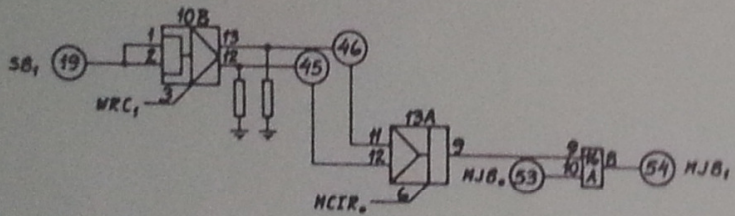
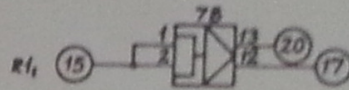
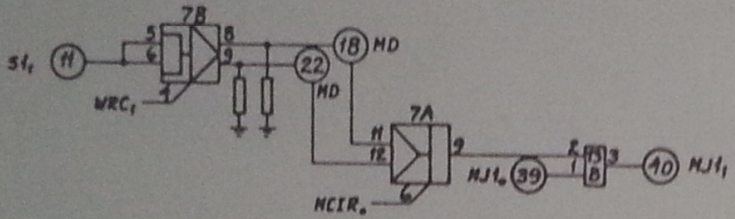
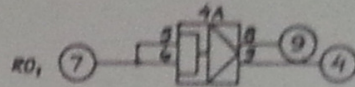
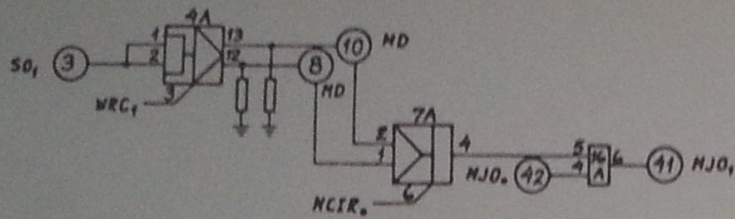
-5V (57)

56 term.

Forordret signalmavn		20171	Exakt
I/O EXPANDER			
191			
A/S NORSK DATA-ELEKTRONIK		2A91	



ND-01.004.01



Model	Serial	Date	Shop
MEMORY BUFFER DRIVER 194		194	10 8 71
AVS HONDA DATA ELECTRONICS		2A94	