

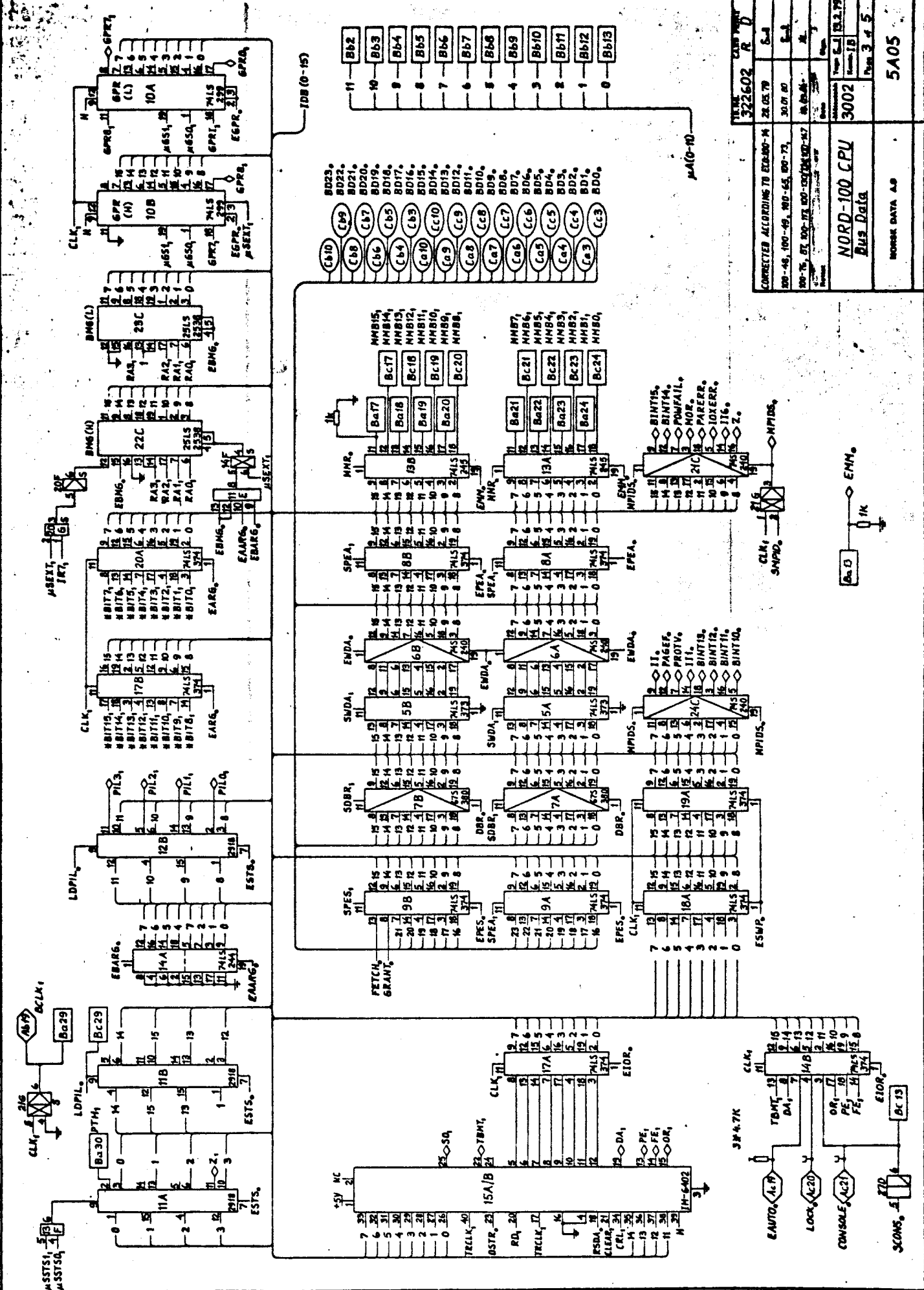
ND—100

LOGIC DIAGRAMS

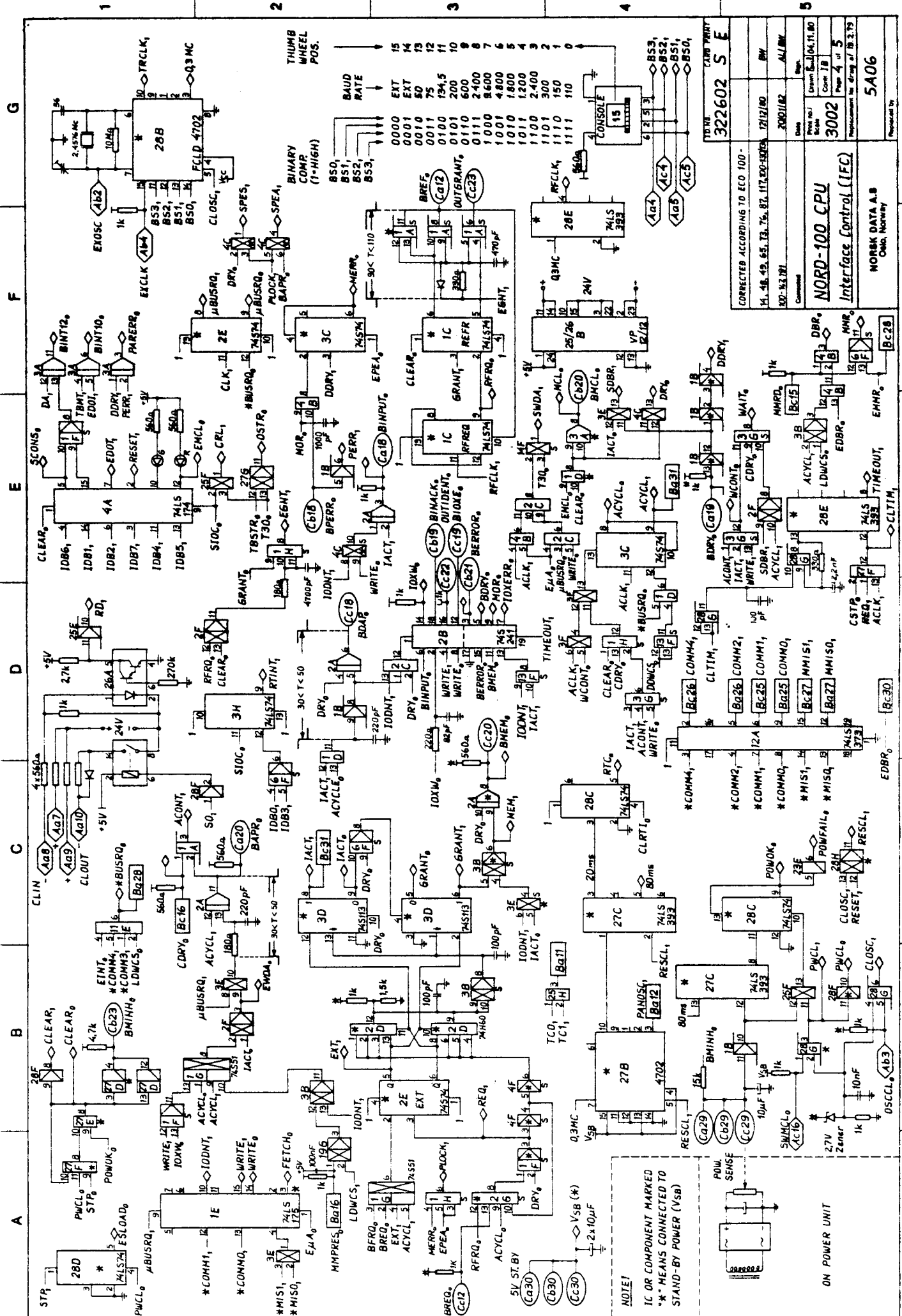
Including the most frequently used

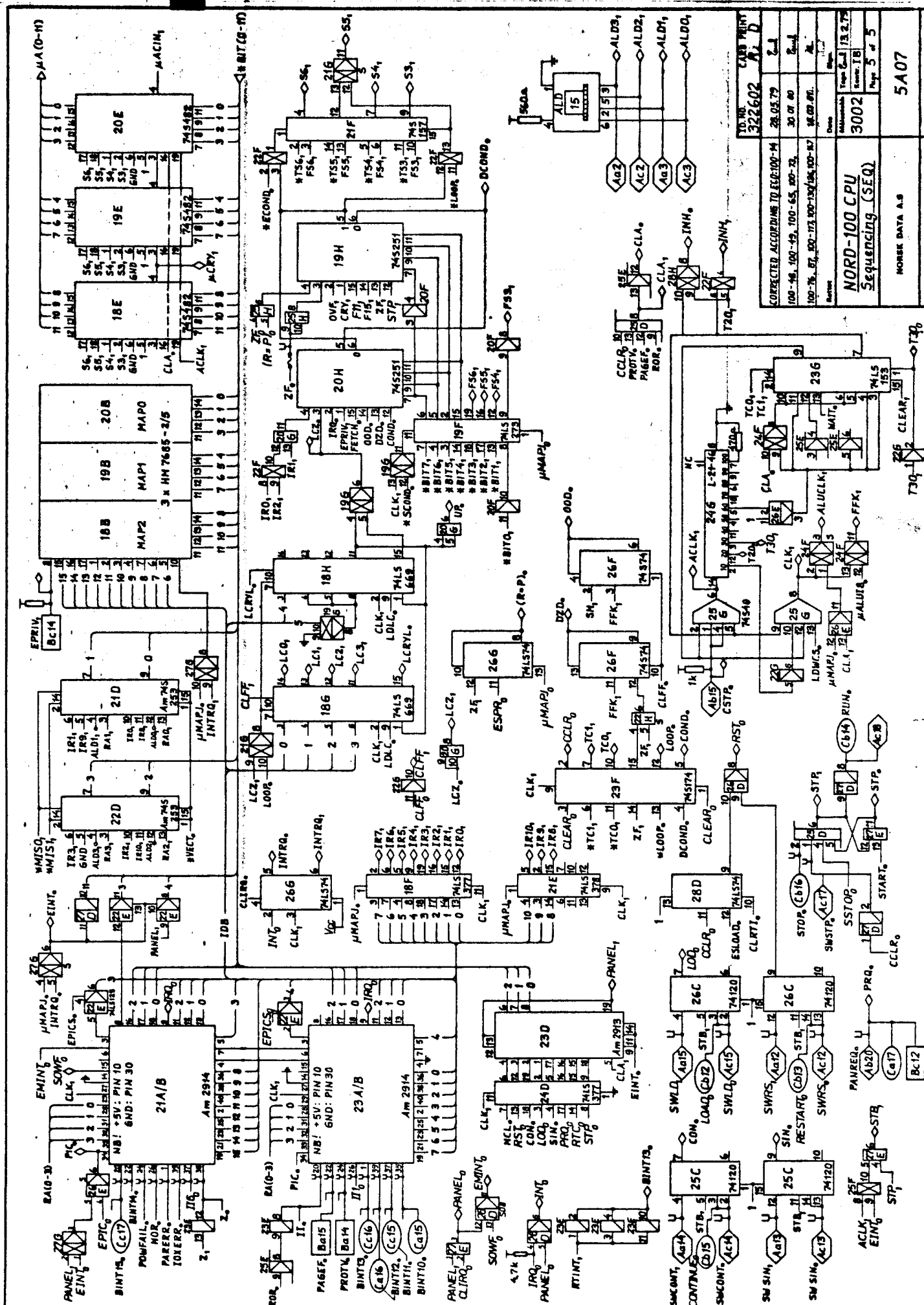
NORD-10 I/O interfaces.

Look behind 3009 diagram.

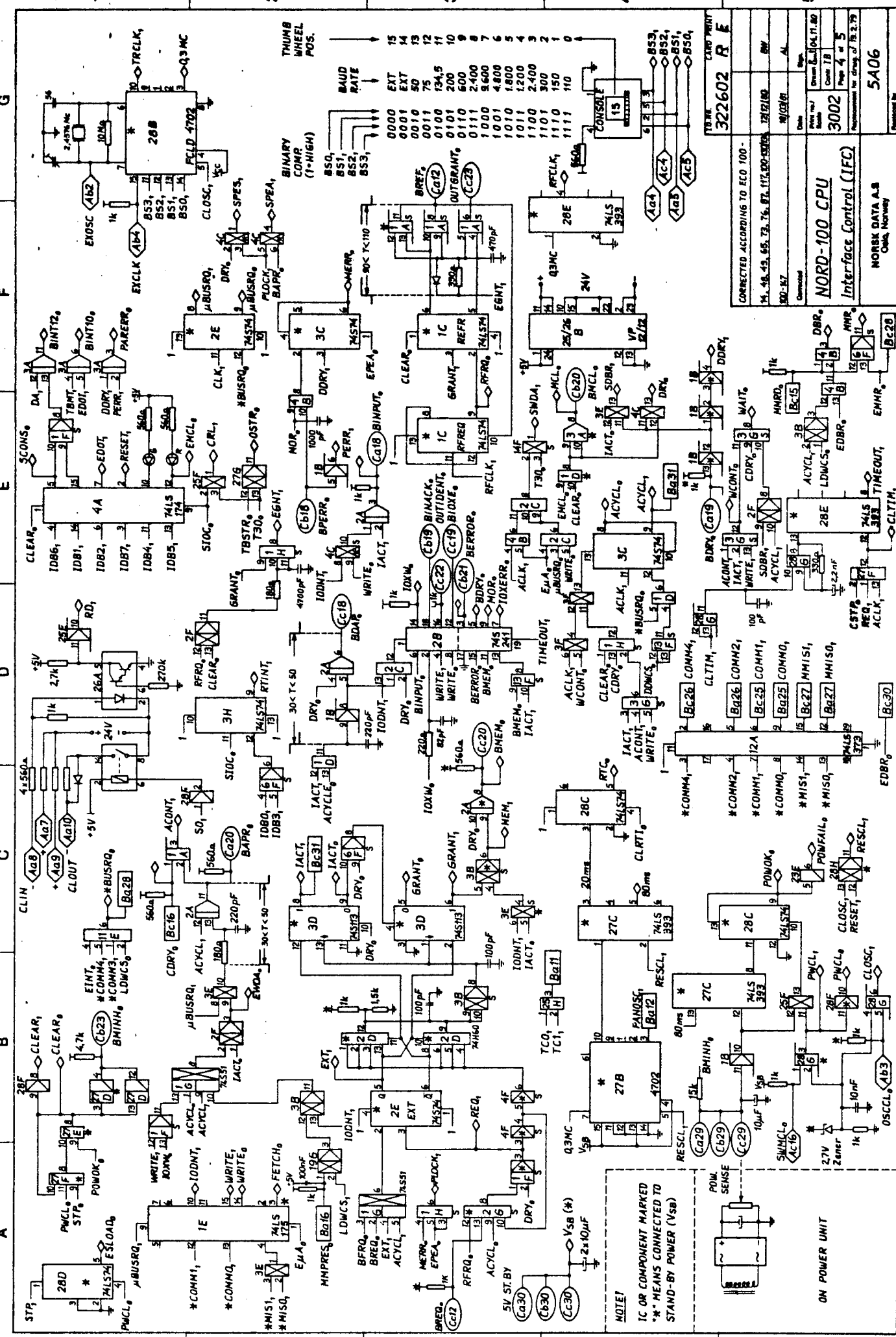


TYPE	322602	REV	0
CORRECTED ACCORDING TO	28.05.79	28.05.79	0-3
	100-46, 100-49, 100-65, 100-73,	30.07.80	0-4
	100-75, 100-76, 100-77, 100-100, 100-117,	18.08.80	0-5
	100-101, 100-102, 100-103, 100-104, 100-105,	18.08.80	0-6
	100-106, 100-107, 100-108, 100-109, 100-110,	18.08.80	0-7
	100-111, 100-112, 100-113, 100-114, 100-115,	18.08.80	0-8
	100-116, 100-117, 100-118, 100-119, 100-120,	18.08.80	0-9
	100-121, 100-122, 100-123, 100-124, 100-125,	18.08.80	0-10
	100-126, 100-127, 100-128, 100-129, 100-130,	18.08.80	0-11
	100-131, 100-132, 100-133, 100-134, 100-135,	18.08.80	0-12
	100-136, 100-137, 100-138, 100-139, 100-140,	18.08.80	0-13
	100-141, 100-142, 100-143, 100-144, 100-145,	18.08.80	0-14
	100-146, 100-147, 100-148, 100-149, 100-150,	18.08.80	0-15
	100-151, 100-152, 100-153, 100-154, 100-155,	18.08.80	0-16
	100-156, 100-157, 100-158, 100-159, 100-160,	18.08.80	0-17
	100-161, 100-162, 100-163, 100-164, 100-165,	18.08.80	0-18
	100-166, 100-167, 100-168, 100-169, 100-170,	18.08.80	0-19
	100-171, 100-172, 100-173, 100-174, 100-175,	18.08.80	0-20
	100-176, 100-177, 100-178, 100-179, 100-180,	18.08.80	0-21
	100-181, 100-182, 100-183, 100-184, 100-185,	18.08.80	0-22
	100-186, 100-187, 100-188, 100-189, 100-190,	18.08.80	0-23
	100-191, 100-192, 100-193, 100-194, 100-195,	18.08.80	0-24
	100-196, 100-197, 100-198, 100-199, 100-200,	18.08.80	0-25
	100-201, 100-202, 100-203, 100-204, 100-205,	18.08.80	0-26
	100-206, 100-207, 100-208, 100-209, 100-210,	18.08.80	0-27
	100-211, 100-212, 100-213, 100-214, 100-215,	18.08.80	0-28
	100-216, 100-217, 100-218, 100-219, 100-220,	18.08.80	0-29
	100-221, 100-222, 100-223, 100-224, 100-225,	18.08.80	0-30
	100-226, 100-227, 100-228, 100-229, 100-230,	18.08.80	0-31
	100-231, 100-232, 100-233, 100-234, 100-235,	18.08.80	0-32
	100-236, 100-237, 100-238, 100-239, 100-240,	18.08.80	0-33
	100-241, 100-242, 100-243, 100-244, 100-245,	18.08.80	0-34
	100-246, 100-247, 100-248, 100-249, 100-250,	18.08.80	0-35
	100-251, 100-252, 100-253, 100-254, 100-255,	18.08.80	0-36
	100-256, 100-257, 100-258, 100-259, 100-260,	18.08.80	0-37
	100-261, 100-262, 100-263, 100-264, 100-265,	18.08.80	0-38
	100-266, 100-267, 100-268, 100-269, 100-270,	18.08.80	0-39
	100-271, 100-272, 100-273, 100-274, 100-275,	18.08.80	0-40
	100-276, 100-277, 100-278, 100-279, 100-280,	18.08.80	0-41
	100-281, 100-282, 100-283, 100-284, 100-285,	18.08.80	0-42
	100-286, 100-287, 100-288, 100-289, 100-290,	18.08.80	0-43
	100-291, 100-292, 100-293, 100-294, 100-295,	18.08.80	0-44
	100-296, 100-297, 100-298, 100-299, 100-300,	18.08.80	0-45
	100-301, 100-302, 100-303, 100-304, 100-305,	18.08.80	0-46
	100-306, 100-307, 100-308, 100-309, 100-310,	18.08.80	0-47
	100-311, 100-312, 100-313, 100-314, 100-315,	18.08.80	0-48
	100-316, 100-317, 100-318, 100-319, 100-320,	18.08.80	0-49
	100-321, 100-322, 100-323, 100-324, 100-325,	18.08.80	0-50
	100-326, 100-327, 100-328, 100-329, 100-330,	18.08.80	0-51
	100-331, 100-332, 100-333, 100-334, 100-335,	18.08.80	0-52
	100-336, 100-337, 100-338, 100-339, 100-340,	18.08.80	0-53
	100-341, 100-342, 100-343, 100-344, 100-345,	18.08.80	0-54
	100-346, 100-347, 100-348, 100-349, 100-350,	18.08.80	0-55
	100-351, 100-352, 100-353, 100-354, 100-355,	18.08.80	0-56
	100-356, 100-357, 100-358, 100-359, 100-360,	18.08.80	0-57
	100-361, 100-362, 100-363, 100-364, 100-365,	18.08.80	0-58
	100-366, 100-367, 100-368, 100-369, 100-370,	18.08.80	0-59
	100-371, 100-372, 100-373, 100-374, 100-375,	18.08.80	0-60
	100-376, 100-377, 100-378, 100-379, 100-380,	18.08.80	0-61
	100-381, 100-382, 100-383, 100-384, 100-385,	18.08.80	0-62
	100-386, 100-387, 100-388, 100-389, 100-390,	18.08.80	0-63
	100-391, 100-392, 100-393, 100-394, 100-395,	18.08.80	0-64
	100-396, 100-397, 100-398, 100-399, 100-400,	18.08.80	0-65
	100-401, 100-402, 100-403, 100-404, 100-405,	18.08.80	0-66
	100-406, 100-407, 100-408, 100-409, 100-410,	18.08.80	0-67
	100-411, 100-412, 100-413, 100-414, 100-415,	18.08.80	0-68
	100-416, 100-417, 100-418, 100-419, 100-420,	18.08.80	0-69
	100-421, 100-422, 100-423, 100-424, 100-425,	18.08.80	0-70
	100-426, 100-427, 100-428, 100-429, 100-430,	18.08.80	0-71
	100-431, 100-432, 100-433, 100-434, 100-435,	18.08.80	0-72
	100-436, 100-437, 100-438, 100-439, 100-440,	18.08.80	0-73
	100-441, 100-442, 100-443, 100-444, 100-445,	18.08.80	0-74
	100-446, 100-447, 100-448, 100-449, 100-450,	18.08.80	0-75
	100-451, 100-452, 100-453, 100-454, 100-455,	18.08.80	0-76
	100-456, 100-457, 100-458, 100-459, 100-460,	18.08.80	0-77
	100-461, 100-462, 100-463, 100-464, 100-465,	18.08.80	0-78
	100-466, 100-467, 100-468, 100-469, 100-470,	18.08.80	0-79
	100-471, 100-472, 100-473, 100-474, 100-475,	18.08.80	0-80
	100-476, 100-477, 100-478, 100-479, 100-480,	18.08.80	0-81
	100-481, 100-482, 100-483, 100-484, 100-485,	18.08.80	0-82
	100-486, 100-487, 100-488, 100-489, 100-490,	18.08.80	0-83
	100-491, 100-492, 100-493, 100-494, 100-495,	18.08.80	0-84
	100-496, 100-497, 100-498, 100-499, 100-500,	18.08.80	0-85
	100-501, 100-502, 100-503, 100-504, 100-505,	18.08.80	0-86
	100-506, 100-507, 100-508, 100-509, 100-510,	18.08.80	0-87
	100-511, 100-512, 100-513, 100-514, 100-515,	18.08.80	0-88
	100-516, 100-517, 100-518, 100-519, 100-520,	18.08.80	0-89
	100-521, 100-522, 100-523, 100-524, 100-525,	18.08.80	0-90
	100-526, 100-527, 100-528, 100-529, 100-530,	18.08.80	0-91
	100-531, 100-532, 100-533, 100-534, 100-535,	18.08.80	0-92
	100-536, 100-537, 100-538, 100-539, 100-540,	18.08.80	0-93
	100-541, 100-542, 100-543, 100-544, 100-545,	18.08.80	0-94
	100-546, 100-547, 100-548, 100-549, 100-550,	18.08.80	0-95
	100-551, 100-552, 100-553, 100-554, 100-555,	18.08.80	0-96
	100-556, 100-557, 100-558, 100-559, 100-560,	18.08.80	0-97
	100-561, 100-562, 100-563, 100-564, 100-565,	18.08.80	0-98
	100-566, 100-567, 100-568, 100-569, 100-570,	18.08.80	0-99
	100-571, 100-572, 100-573, 100-574, 100-575,	18.08.80	0-100
	100-576, 100-577, 100-578, 100-579, 100-580,	18.08.80	0-101
	100-581, 100-582, 100-583, 100-584, 100-585,	18.08.80	0-102
	100-586, 100-587, 100-588, 100-589, 100-590,	18.08.80	0-103
	100-591, 100-592, 100-593, 100-594, 100-595,	18.08.80	0-104
	100-596, 100-597, 100-598, 100-599, 100-600,	18.08.80	0-105
	100-601, 100-602, 100-603, 100-604, 100-605,	18.08.80	0-106
	100-606, 100-607, 100-608, 100-609, 100-610,	18.08.80	0-107
	100-611, 100-612, 100-613, 100-614, 100-615,	18.08.80	0-108
	100-616, 100-617, 100-618, 100-619, 100-620,	18.08.80	0-109
	100-621, 100-622, 100-623, 100-624, 100-625,	18.08.80	0-110
	100-626, 100-627, 100-628, 100-629, 100-630,	18.08.80	0-111
	100-631, 100-632, 100-633, 100-634, 100-635,	18.08.80	0-112
	100-636, 100-637, 100-638, 100-639, 100-640,	18.08.80	0-113
	100-641, 100-642, 100-643, 100-644, 100-645,	18.08.80	0-114
	100-646, 100-647, 100-648, 100-649, 100-650,	18.08.80	0-115
	100-651, 100-652, 100-653, 100-654, 100-655,	18.08.80	0-116
	100-656, 100-657, 100-658, 100-659, 100-660,	18.08.80	0-117
	100-661, 100-662, 100-663, 100-664, 100-665,	18.08.80	0-118
	100-666, 100-667, 100-668, 100-669, 100-670,	18.08.80	0-119
	100-671, 100-672, 100-673, 100-674, 100-675,	18.08.80	0-120
	100-676, 100-677, 100-678, 100-679, 100-680,	18.08.80	0-121
	100-681, 100-682, 100-683, 100-684, 100-685,	18.08.80	0-122
	100-686, 100-687, 100-688, 100-689, 100-690,	18.08.80	0-123
	100-691, 100-692, 100-693, 100-694, 100-695,	18.08.80	0-124
	100-696, 100-697, 100-698, 100-699, 100-700,	18.08.80	0-125
	100-701, 100-702, 100-703, 100-704, 100-705,	18.08.80	0-126
	100-706, 100-707, 100-708, 100-709, 100-710,	18.08.80	0-127
	100-711, 100-712, 100-713, 100-714, 100-715,	18.08.80	0-128
	100-716, 100-717, 100-718, 100-719, 100-720,	18.08.80	0-129
	100-721, 100-722, 100-723, 100-724, 100-725,	18.08.80	0-130
	100-726, 100-727, 100-728, 100-729, 100-730,	18.08.80	0-131
	100-731, 100-732, 100-733, 100-734, 100-735,	18.08.80	0-132
	100-736, 100-737, 100-738, 100-739, 100-740,	18.08.80	0-133
	100-741, 100-742, 100-743, 100-744, 100-745,	18.08.80	0-134
	100-746, 100-747, 100-748, 100-749, 100-750,	18.08.80	0-135
	100-751, 100-752, 100-753, 100-754, 100-755,	18.08.80	0-136
	100-756, 100-757, 100-758, 100-759, 100-760,	18.08.80	0-137
	100-761, 100-762, 100-763, 100-764, 100-765,	18.08.80	0-138
	100-766, 100-767, 100-768, 100-769, 100-770,	18.08.80	0-139
	100-771, 100-772, 100-773, 100-774, 100-775,	18.08.80	0-140
	100-776, 100-777, 100-778, 100-779, 100-780,	18.08.80	0-141
	100-781, 100-78		





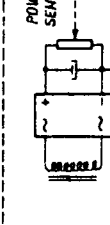
TD NO.	322602	CARD PRINT	A, D
CORRECTED ACCORDING TO ECO-100-14			
100-14, 100-49, 100-65, 100-73	28.03.79	30.07.80	2.1
100-76, 87, 100-173, 100-193/104, 100-197	18.02.80	18.02.80	2.1
Revised	3002	Page 5 of 5	
NOR-100 CPU Sequencing (SEQ)			
NORSE DATA A.8			
5A07			



322602	RE
CORRECTED ACCORDING TO ECO 100 -	
M. 48.43.65.73.76.87A.117A.00-0000	
3002	REV
NORD-100 CPU	
Interface Control (IFC)	
NORSK DATA A.S	
Oslo, Norway	
5A06	

322602	RE
CORRECTED ACCORDING TO ECO 100 -	
M. 48.43.65.73.76.87A.117A.00-0000	
3002	REV
NORD-100 CPU	
Interface Control (IFC)	
NORSK DATA A.S	
Oslo, Norway	
5A06	

NOTE
IC OR COMPONENT MARKED
* * * MEANS CONNECTED TO
STAND-BY POWER (Vsb)

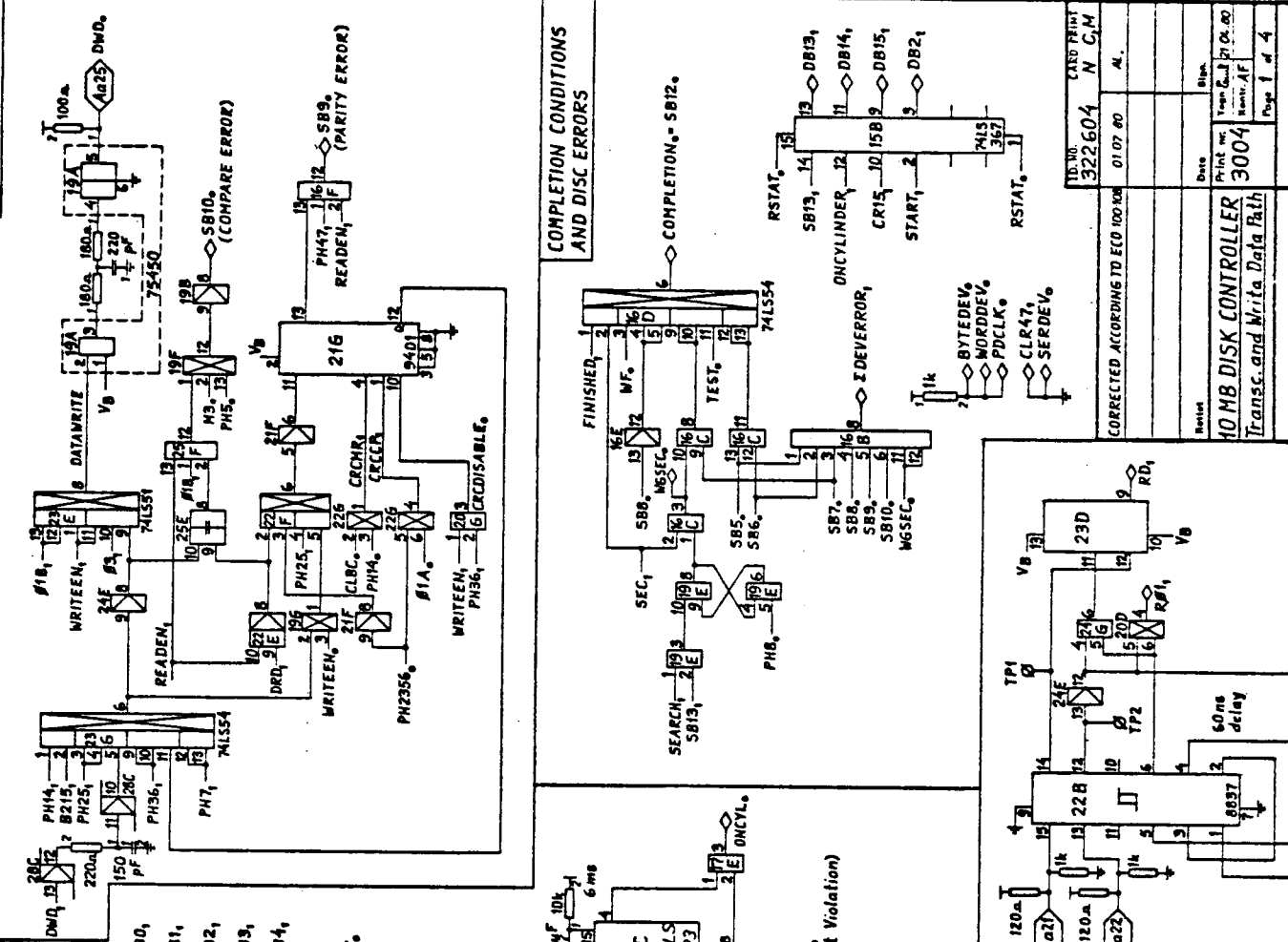
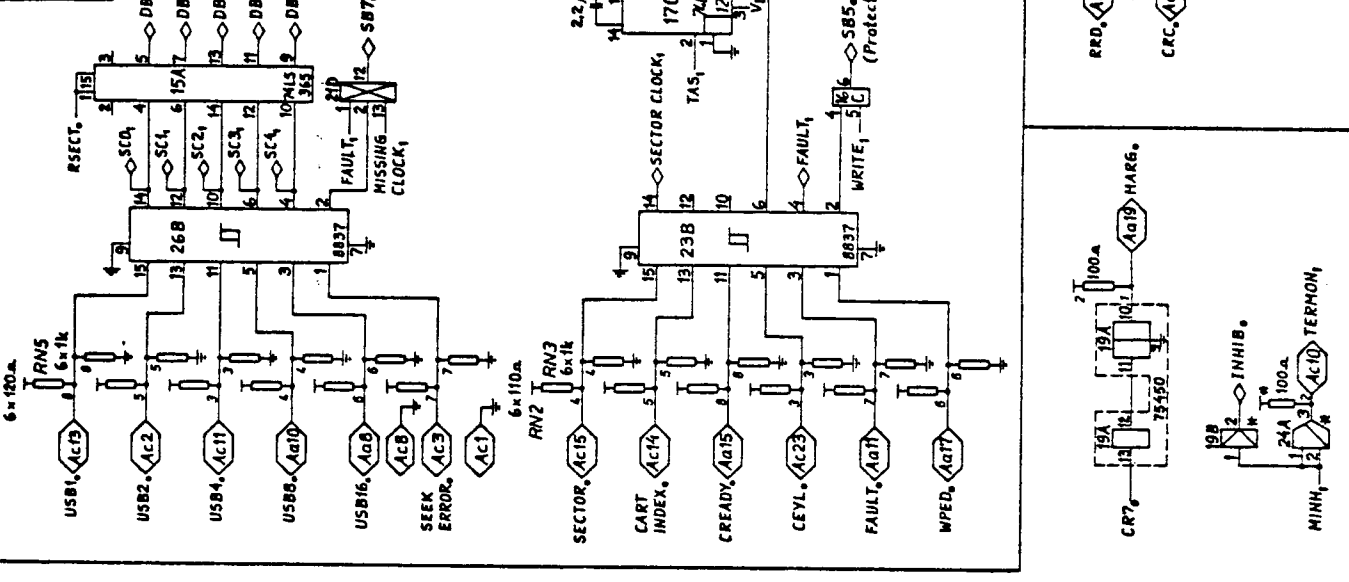
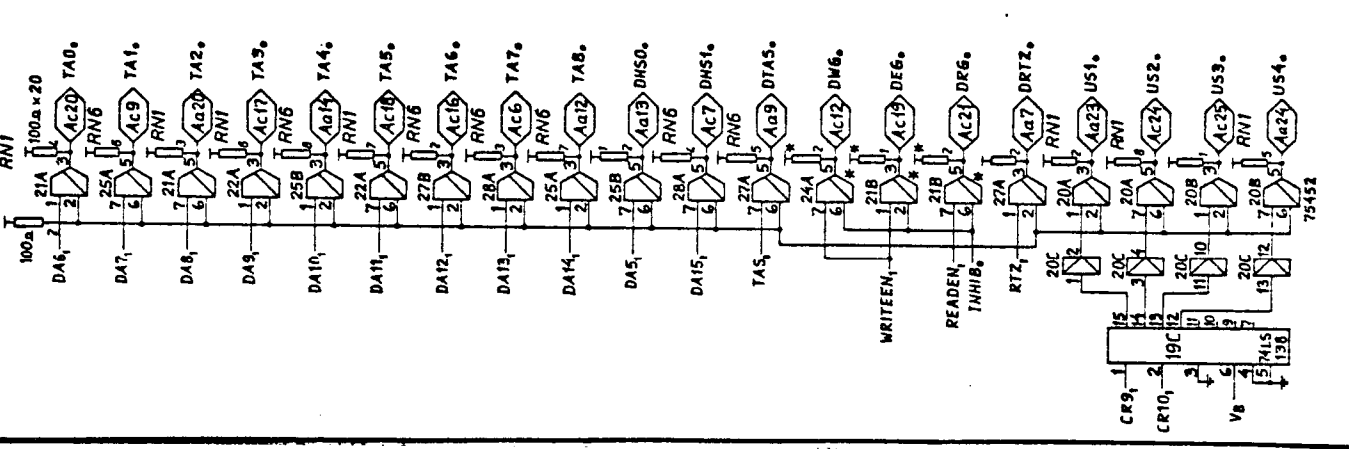


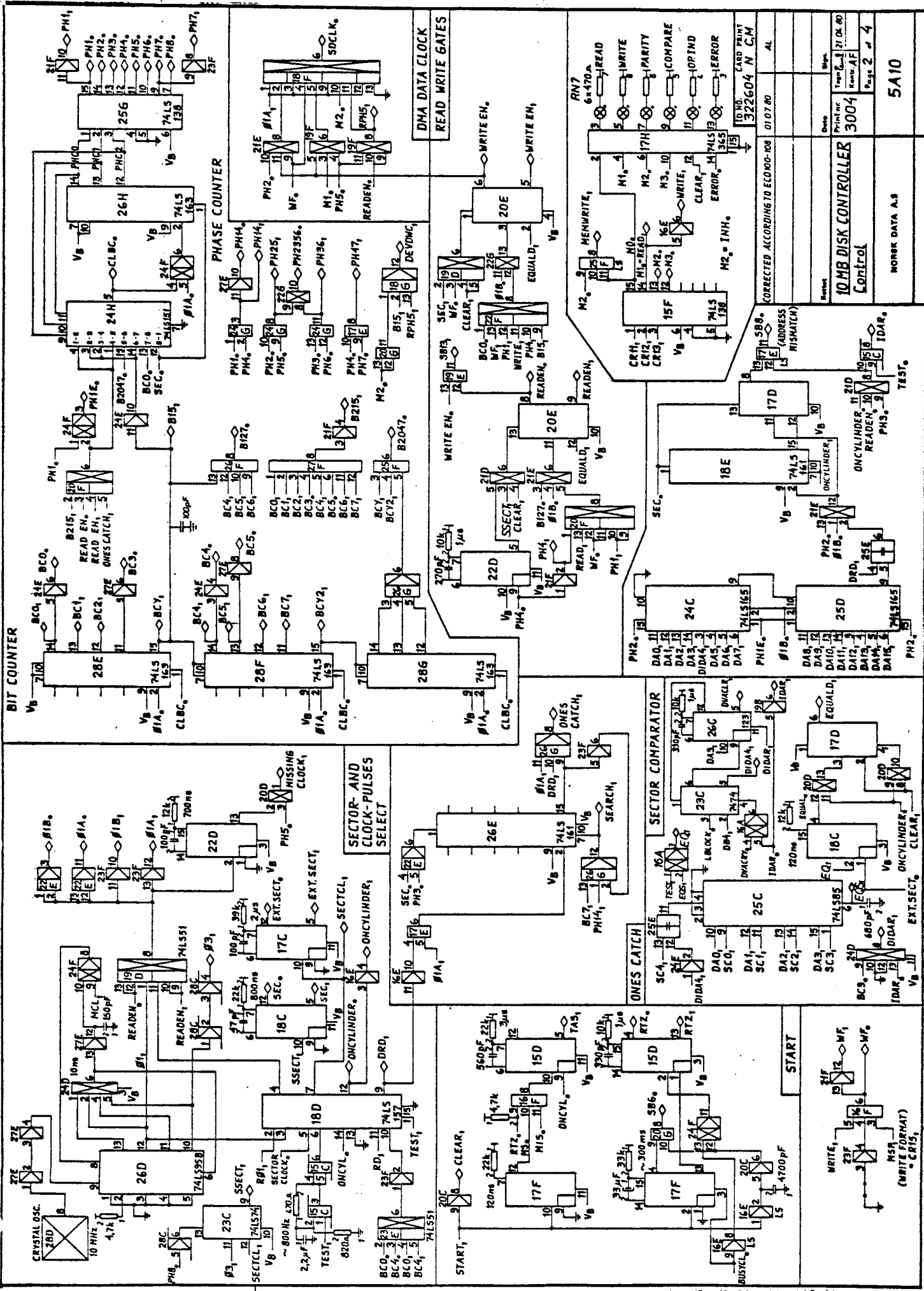
ON POWER UNIT

TRANSMITTERS

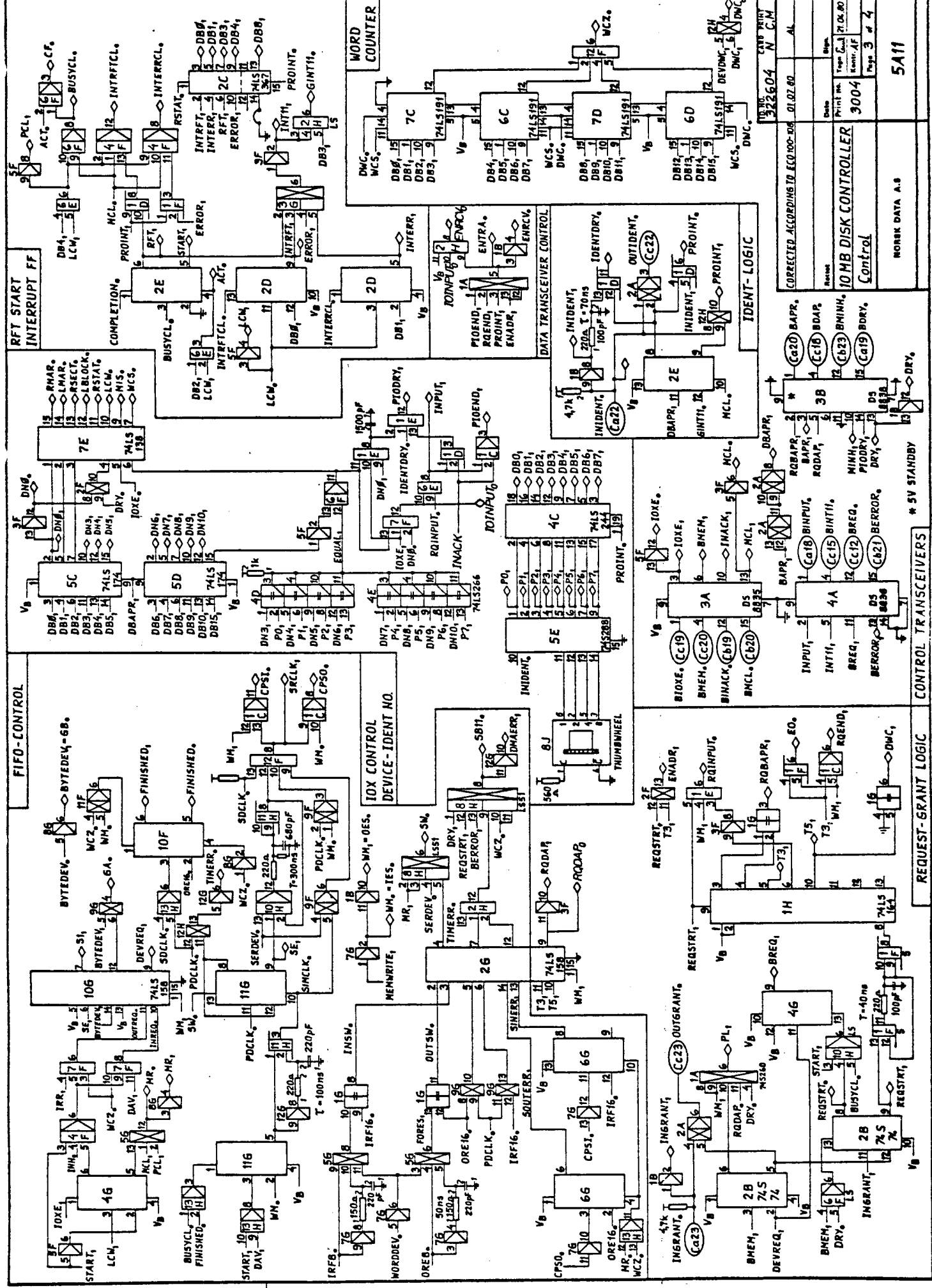
RECEIVERS

WRITE-DATA PATH

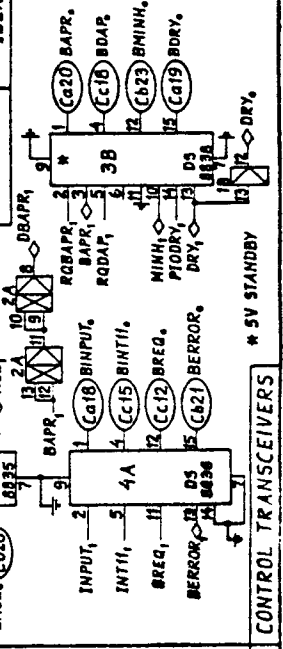




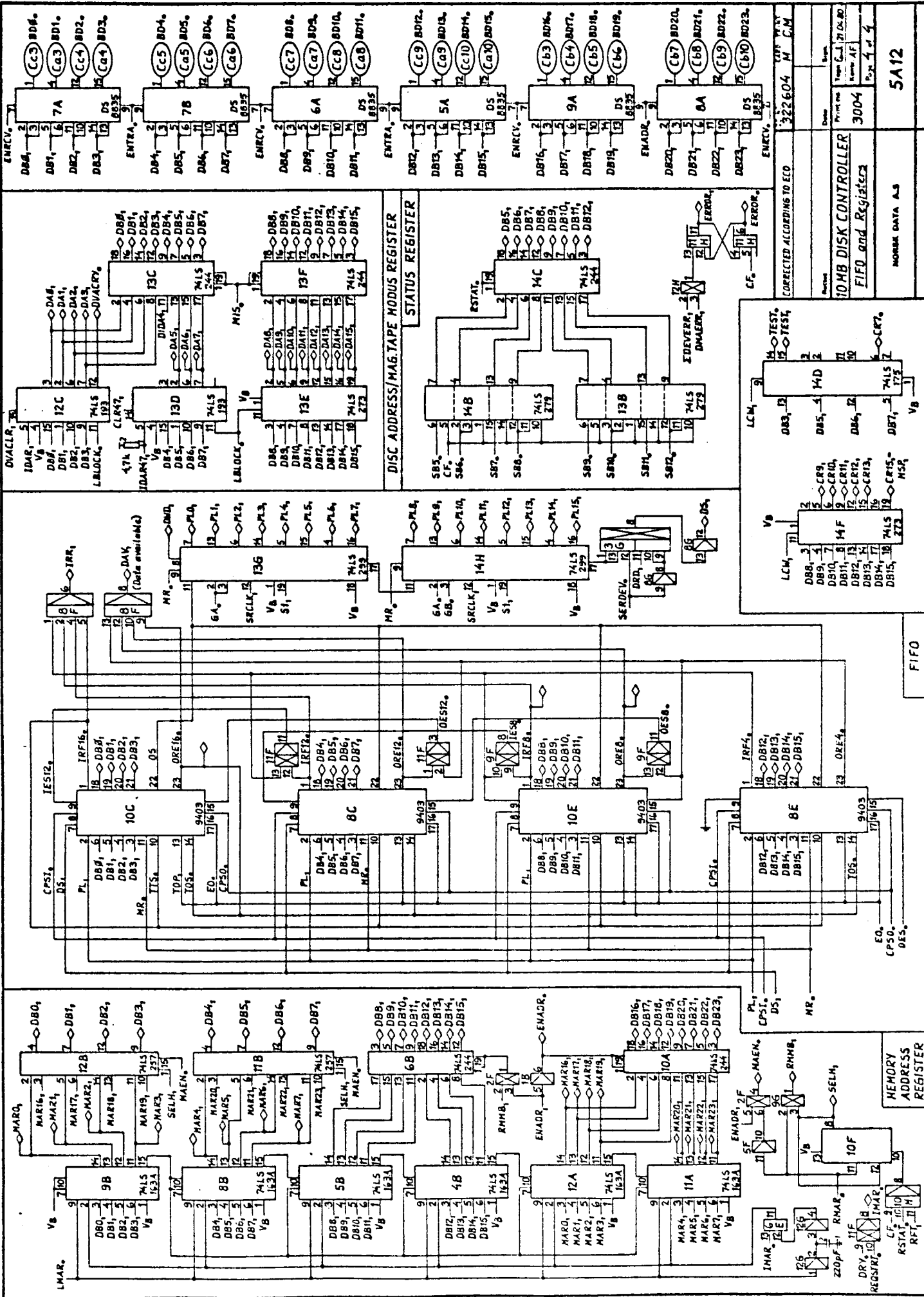
TO NO. 322604 N C M
 CORRECTED ACCORDING TO ECD 600-108 01 07 80 AL
 Date: _____
 Rev: _____
 10 MB DISK CONTROLLER Control
 Page 2 of 4
 5A10
 WORK DATA A.3
 TEST.



REV. 322604	DATE 01.02.80	AL
CORRECTED ACCORDING TO ECO 000-008		
Doc. No.	Print no.	Page
3004	3004	3 of 4
10MB DISK CONTROLLER Control		
NORIK DATA A.S.		
5A11		



DATA TRANSLIVERS

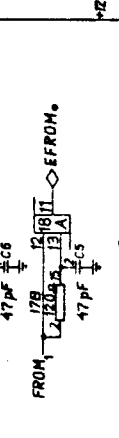
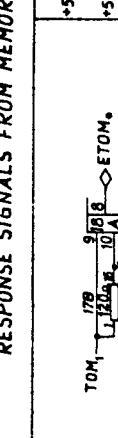
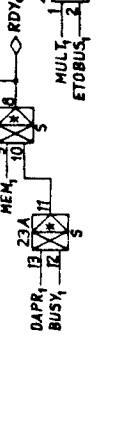
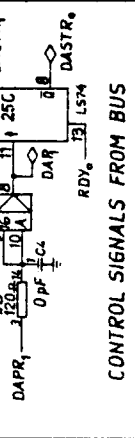
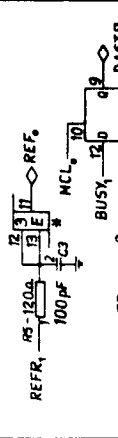
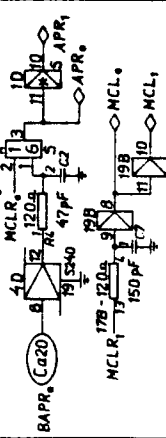
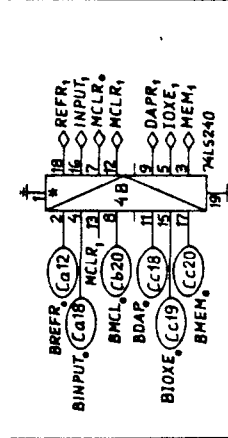
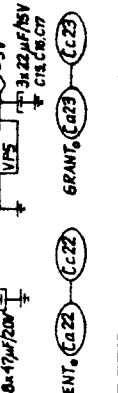
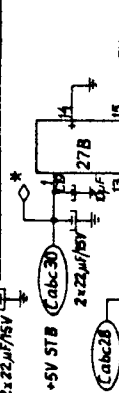
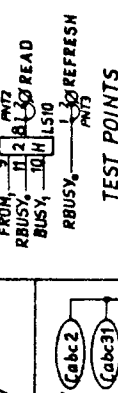
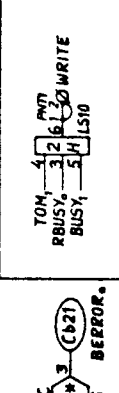
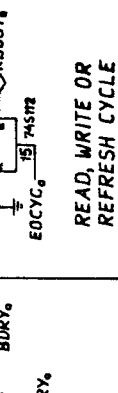
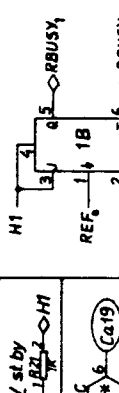
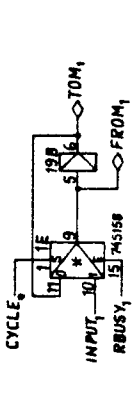
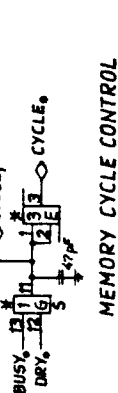
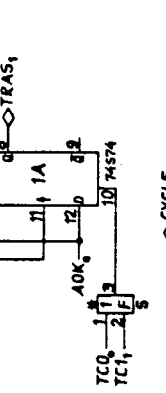
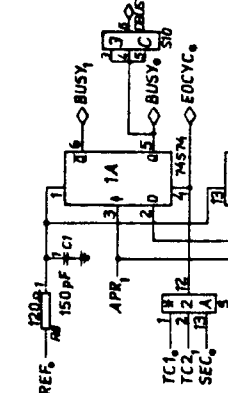
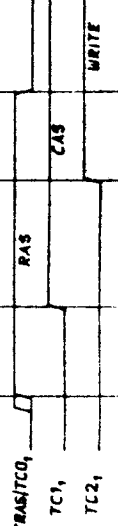
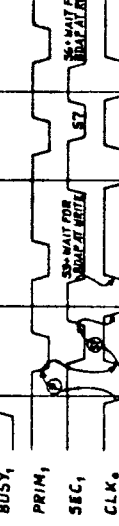
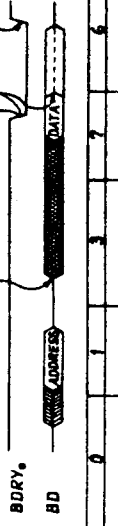
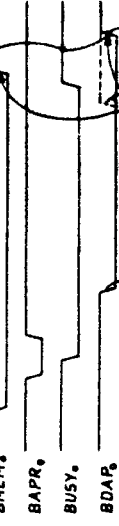
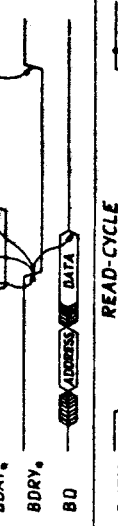
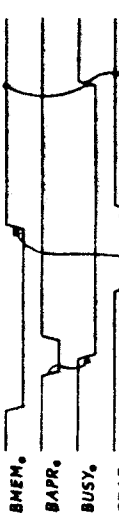
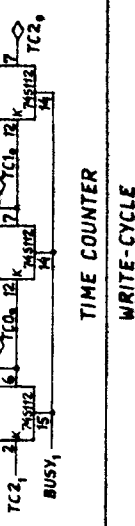
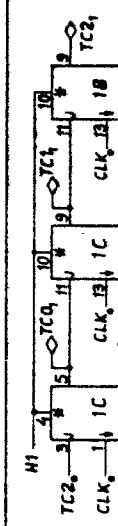
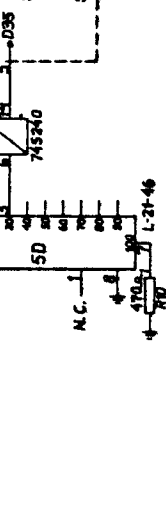
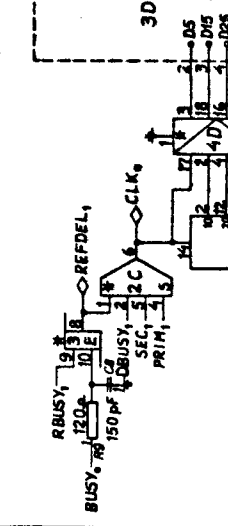
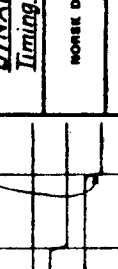
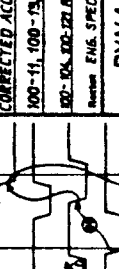
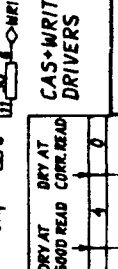
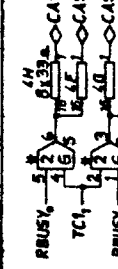
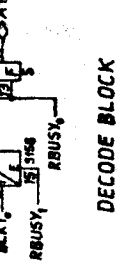
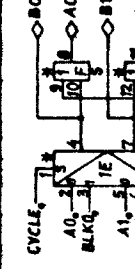
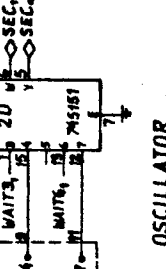
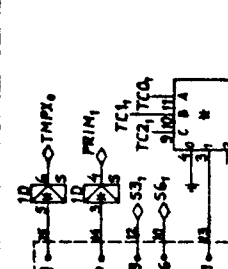
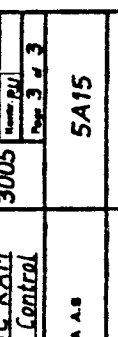
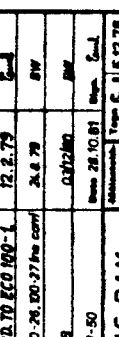
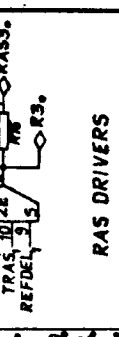
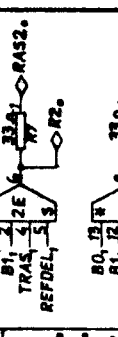
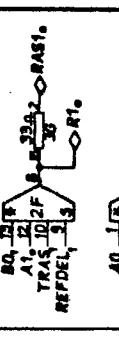
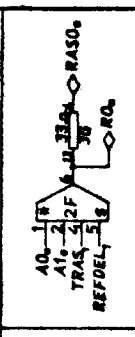
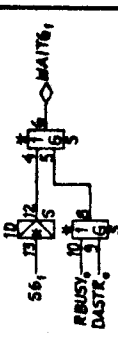
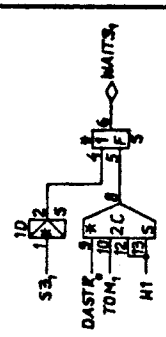
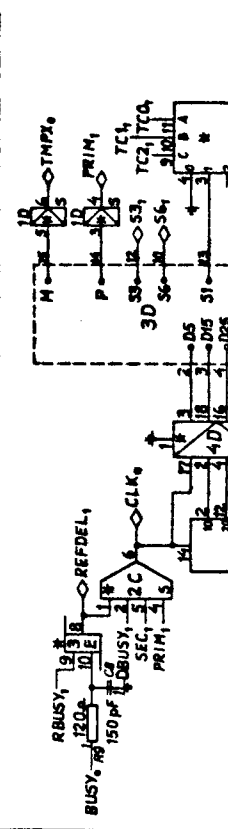


ENVCV	1	(Cc3) BD6
DB4	2	
DB1	3	
DB2	4	(Ca3) BD1
DB3	5	
DB3	6	(Cc4) BD2
DB3	7	
DB3	8	(Ca4) BD3
ENTRA	9	
DB4	10	
DB5	11	
DB4	12	(Cc5) BD4
DB7	13	
DB7	14	(Ca6) BD7
ENVCV	15	
DB4	16	
DB5	17	
DB4	18	(Ca5) BD5
DB7	19	
DB7	20	(Cc6) BD6
DB7	21	
DB7	22	(Ca6) BD7
ENVCV	23	
DB4	24	
DB5	25	
DB4	26	(Ca7) BD8
DB7	27	
DB7	28	(Ca7) BD9
DB7	29	
DB7	30	(Cc8) BD10
DB7	31	
DB7	32	(Ca8) BD11
ENVCV	33	
DB4	34	
DB5	35	
DB4	36	(Ca9) BD12
DB7	37	
DB7	38	(Ca9) BD13
DB7	39	
DB7	40	(Cc10) BD14
DB7	41	
DB7	42	(Ca10) BD15
ENVCV	43	
DB4	44	
DB5	45	
DB4	46	(Cb3) BD16
DB7	47	
DB7	48	(Cb4) BD17
DB7	49	
DB7	50	(Cb5) BD18
DB7	51	
DB7	52	(Cb6) BD19
ENABD	53	
DB20	54	
DB21	55	
DB22	56	
DB23	57	
DB23	58	(Cb7) BD20
DB23	59	
DB23	60	(Cb8) BD21
DB23	61	
DB23	62	(Cb9) BD22
DB23	63	
DB23	64	(Cb10) BD23
ENVCV	65	

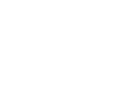
ENVCV	1	(Cc3) BD6
DB4	2	
DB1	3	
DB2	4	(Ca3) BD1
DB3	5	
DB3	6	(Cc4) BD2
DB3	7	
DB3	8	(Ca4) BD3
ENTRA	9	
DB4	10	
DB5	11	
DB4	12	(Ca5) BD4
DB7	13	
DB7	14	(Ca6) BD7
ENVCV	15	
DB4	16	
DB5	17	
DB4	18	(Ca7) BD8
DB7	19	
DB7	20	(Ca7) BD9
DB7	21	
DB7	22	(Cc8) BD10
DB7	23	
DB7	24	(Ca8) BD11
ENVCV	25	
DB4	26	
DB5	27	
DB4	28	(Ca9) BD12
DB7	29	
DB7	30	(Ca9) BD13
DB7	31	
DB7	32	(Cc10) BD14
DB7	33	
DB7	34	(Ca10) BD15
ENVCV	35	
DB4	36	
DB5	37	
DB4	38	(Cb3) BD16
DB7	39	
DB7	40	(Cb4) BD17
DB7	41	
DB7	42	(Cb5) BD18
DB7	43	
DB7	44	(Cb6) BD19
ENABD	45	
DB20	46	
DB21	47	
DB22	48	
DB23	49	
DB23	50	(Cb7) BD20
DB23	51	
DB23	52	(Cb8) BD21
DB23	53	
DB23	54	(Cb9) BD22
DB23	55	
DB23	56	(Cb10) BD23
ENVCV	57	

ENVCV	1	(Cc3) BD6
DB4	2	
DB1	3	
DB2	4	(Ca3) BD1
DB3	5	
DB3	6	(Cc4) BD2
DB3	7	
DB3	8	(Ca4) BD3
ENTRA	9	
DB4	10	
DB5	11	
DB4	12	(Ca5) BD4
DB7	13	
DB7	14	(Ca6) BD7
ENVCV	15	
DB4	16	
DB5	17	
DB4	18	(Ca7) BD8
DB7	19	
DB7	20	(Ca7) BD9
DB7	21	
DB7	22	(Cc8) BD10
DB7	23	
DB7	24	(Ca8) BD11
ENVCV	25	
DB4	26	
DB5	27	
DB4	28	(Ca9) BD12
DB7	29	
DB7	30	(Ca9) BD13
DB7	31	
DB7	32	(Cc10) BD14
DB7	33	
DB7	34	(Ca10) BD15
ENVCV	35	
DB4	36	
DB5	37	
DB4	38	(Cb3) BD16
DB7	39	
DB7	40	(Cb4) BD17
DB7	41	
DB7	42	(Cb5) BD18
DB7	43	
DB7	44	(Cb6) BD19
ENABD	45	
DB20	46	
DB21	47	
DB22	48	
DB23	49	
DB23	50	(Cb7) BD20
DB23	51	
DB23	52	(Cb8) BD21
DB23	53	
DB23	54	(Cb9) BD22
DB23	55	
DB23	56	(Cb10) BD23
ENVCV	57	

MTC	M	P	S1	S3	S7	S4
TYPE	15	25	15	15	15	25
200	ns					



MTC	M	P	S1	S3	S7	S4
TYPE	15	25	15	15	15	25
200	ns					



MTC	M	P	S1	S3	S7	S4
TYPE	15	25	15	15	15	25
200	ns					



MTC	M	P	S1	S3	S7	S4
TYPE	15	25	15	15	15	25
200	ns					

MTC	M	P	S1	S3	S7	S4
TYPE	15	25	15	15	15	25
200	ns					

MTC	M	P	S1	S3	S7	S4
TYPE	15	25	15	15	15	25
200	ns					

MTC	M	P	S1	S3	S7	S4
TYPE	15	25	15	15	15	25
200	ns					

MTC	M	P	S1	S3	S7	S4
TYPE	15	25	15	15	15	25
200	ns					

MTC	M	P	S1	S3	S7	S4
TYPE	15	25	15	15	15	25
200	ns					

MTC	M	P	S1	S3	S7	S4
TYPE	15	25	15	15	15	25
200	ns					

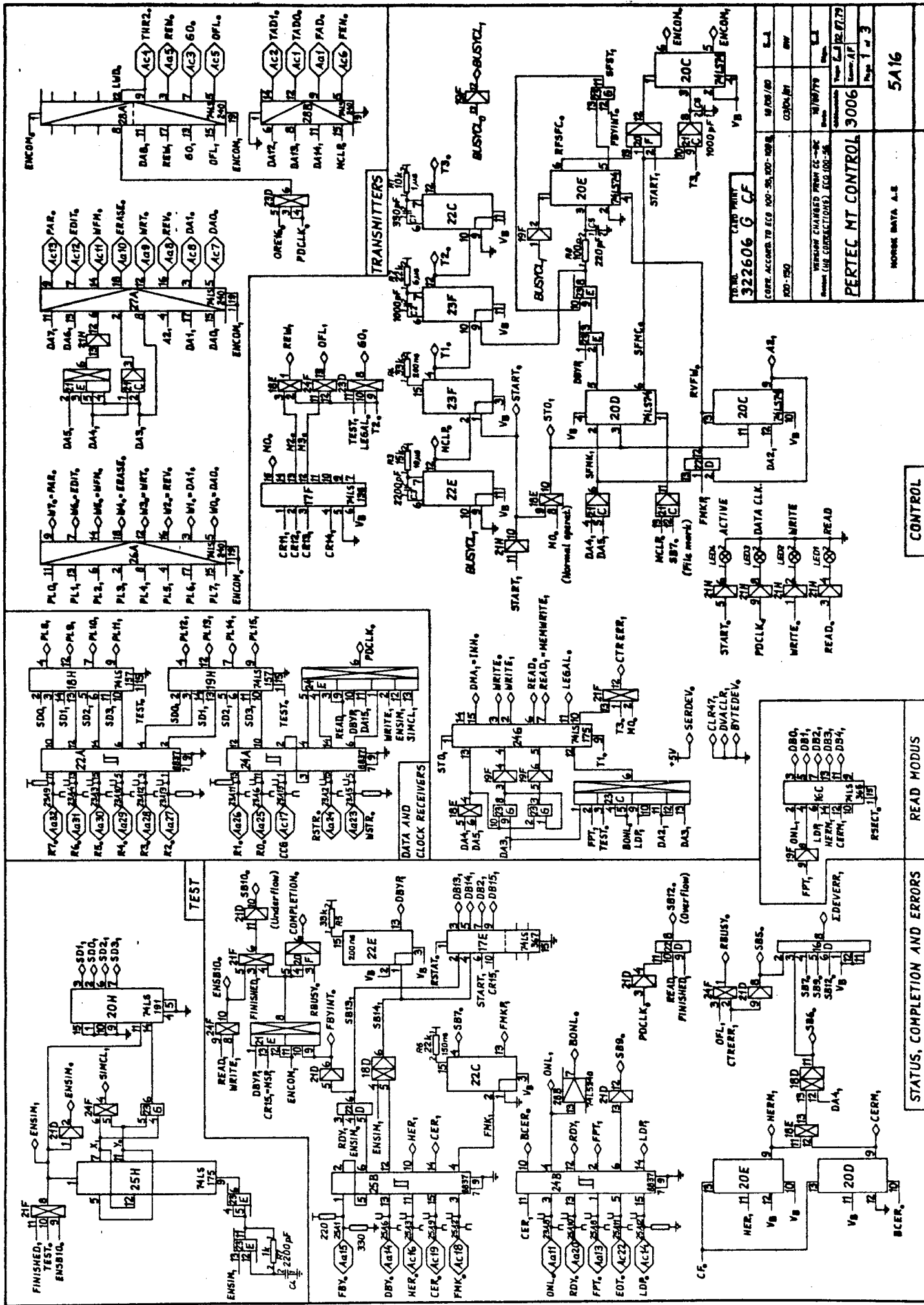
MTC	M	P	S1	S3	S7	S4
TYPE	15	25	15	15	15	25
200	ns					

MTC	M	P	S1	S3	S7	S4
TYPE	15	25	15	15	15	25
200	ns					

MTC	M	P	S1	S3	S7	S4
TYPE	15	25	15	15	15	25
200	ns					

MTC	M	P	S1	S3	S7	S4
TYPE	15	25	15	15	15	25
200	ns					

MTC	M	P	S1	S3	S7	S4
TYPE	15	25	15	15	15	25
200	ns					



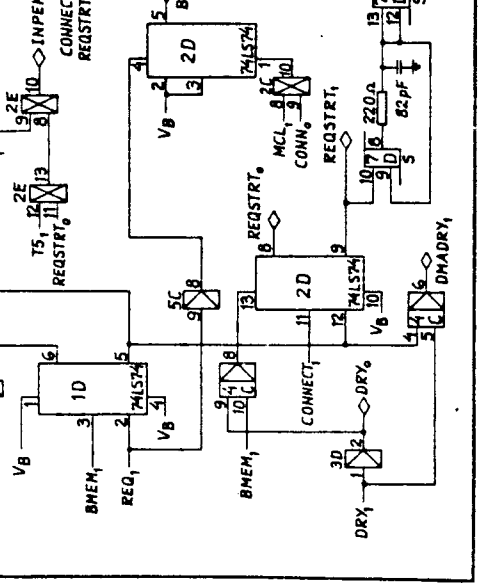
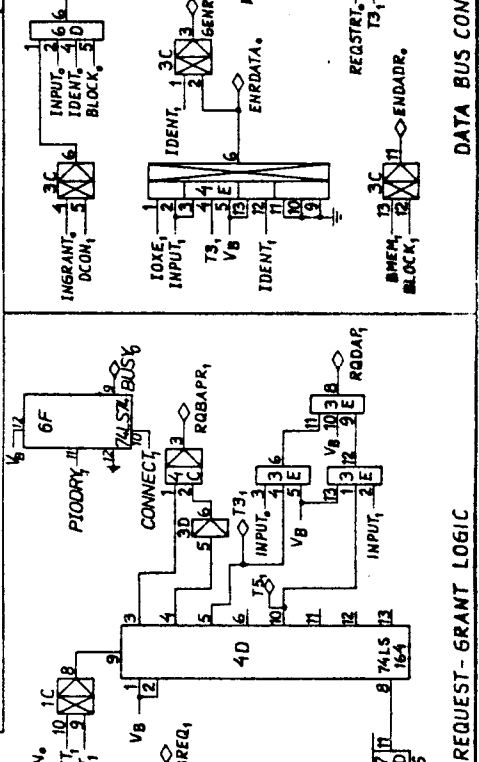
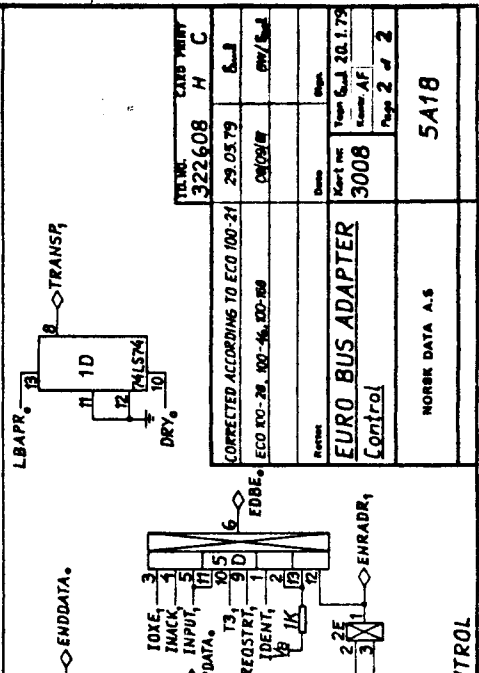
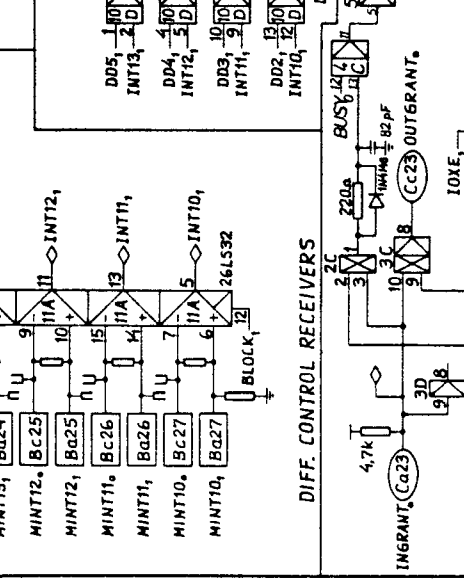
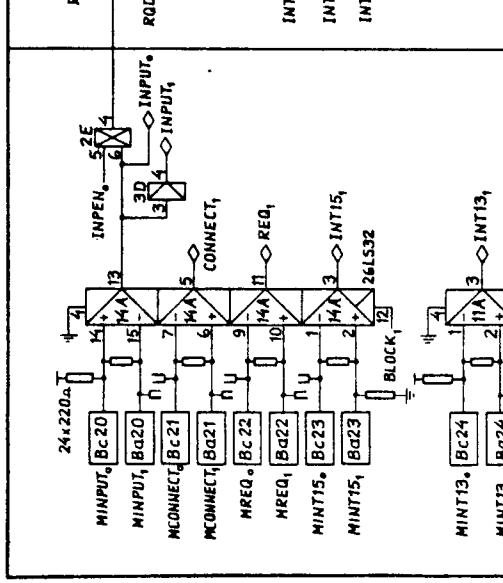
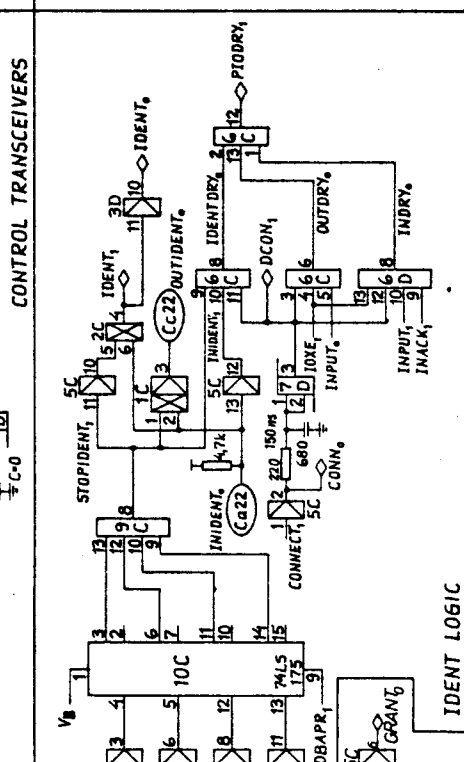
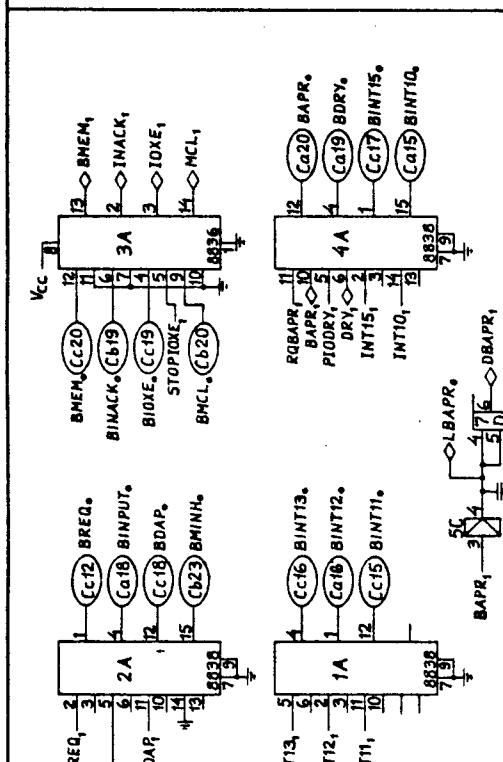
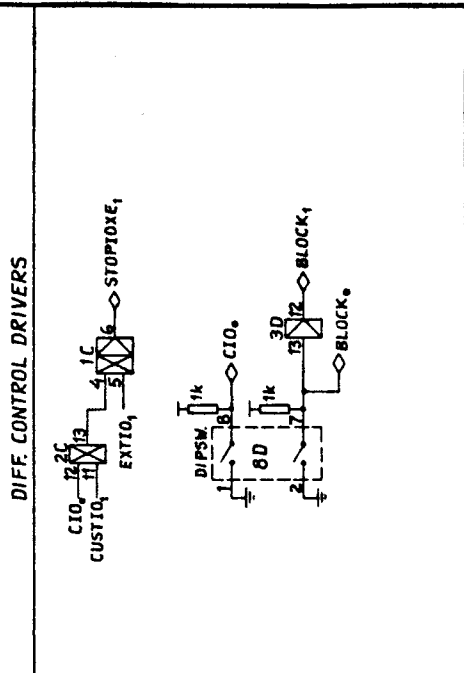
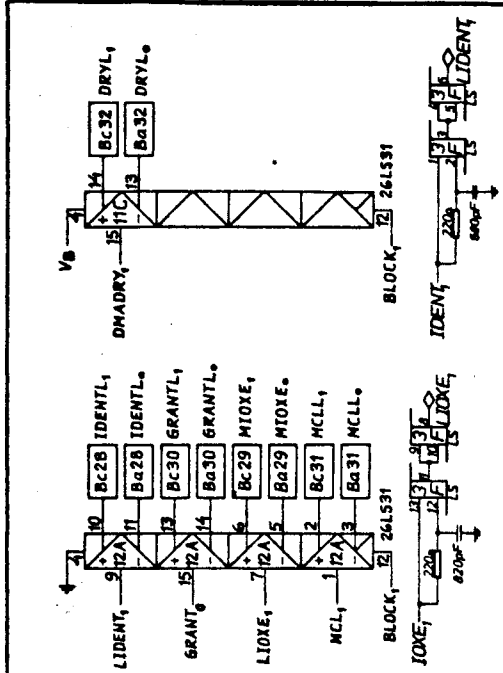
TOTAL	322606	GCF
CORE ACCORD TO	100-25, 100-25B	10/25/50
100-250		10/25/50
VERSION CHANGED FROM	25-25C	10/25/50
REASON FOR CORRECTIONS	100-25B	10/25/50
PERTEC MT CONTROL 3006		
Page	1	of 3

5A16

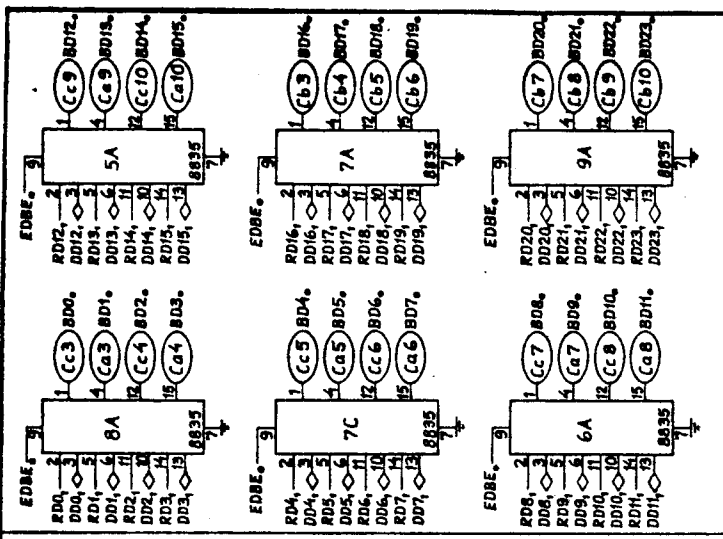
CONTROL

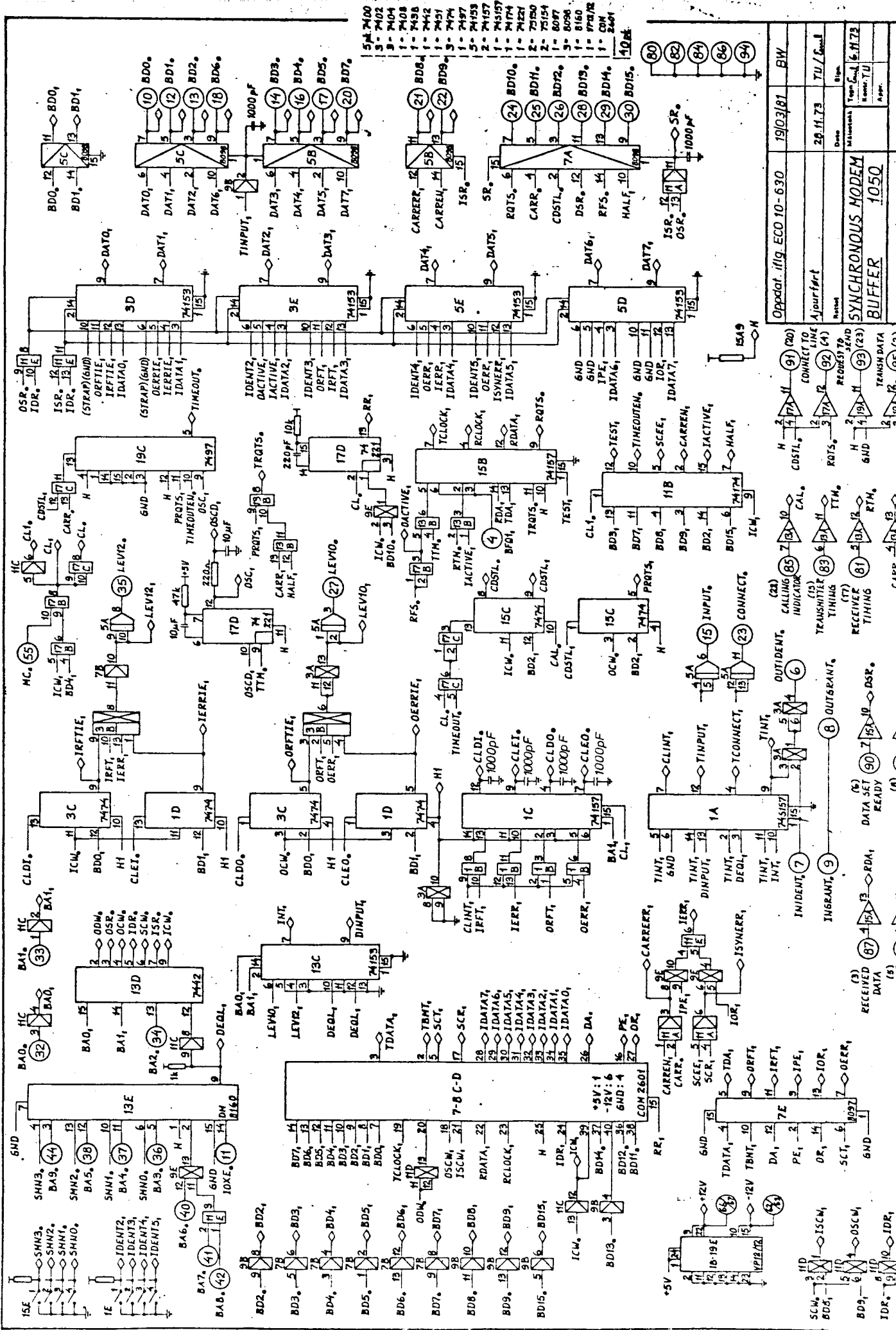
READ MODUS

STATUS, COMPLETION AND ERRORS

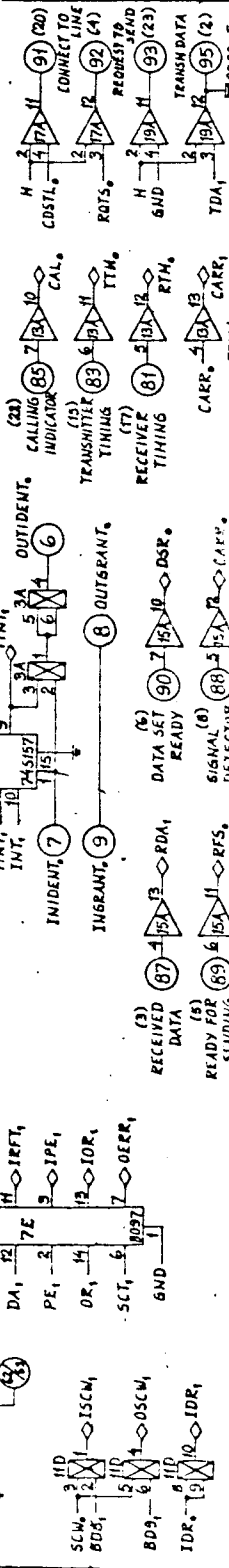


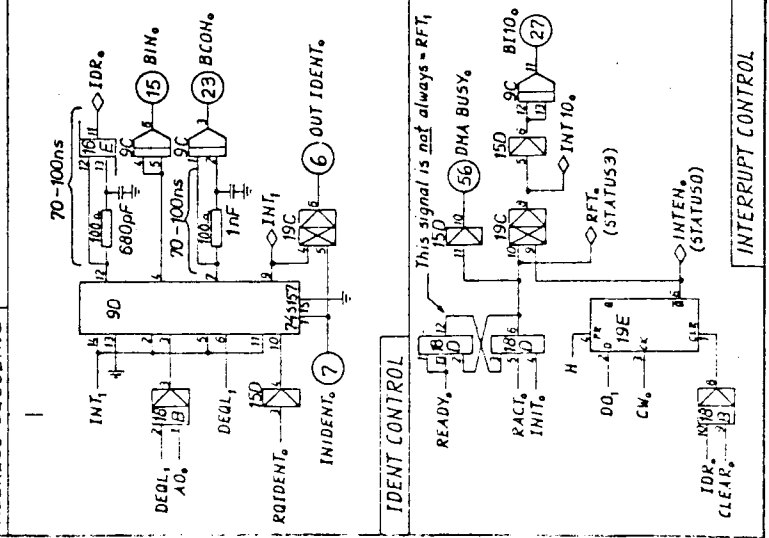
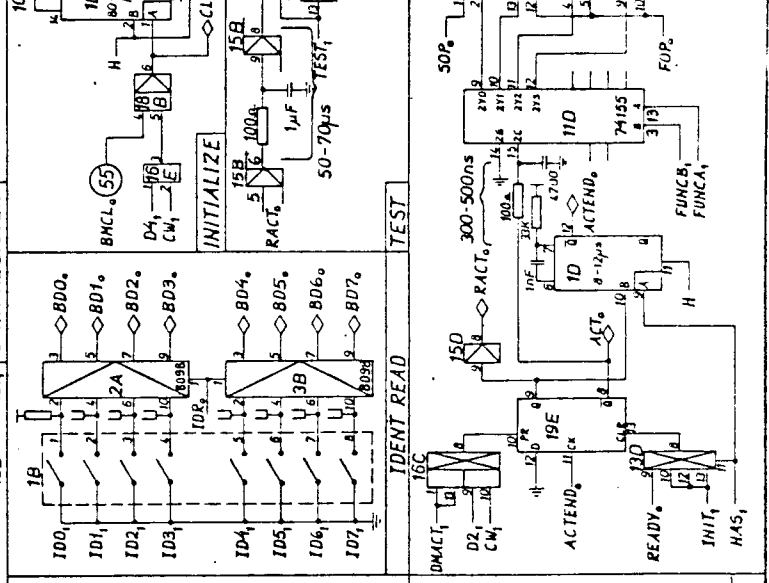
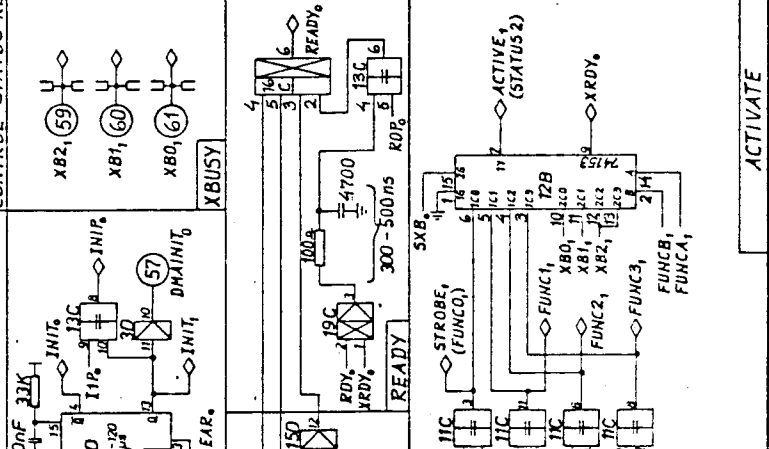
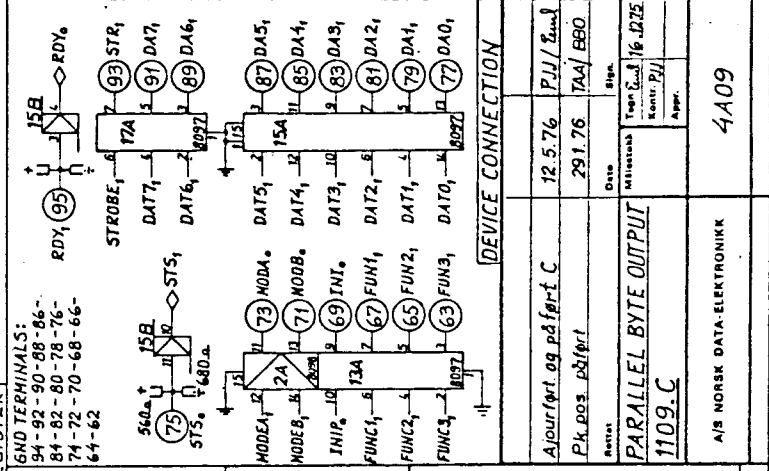
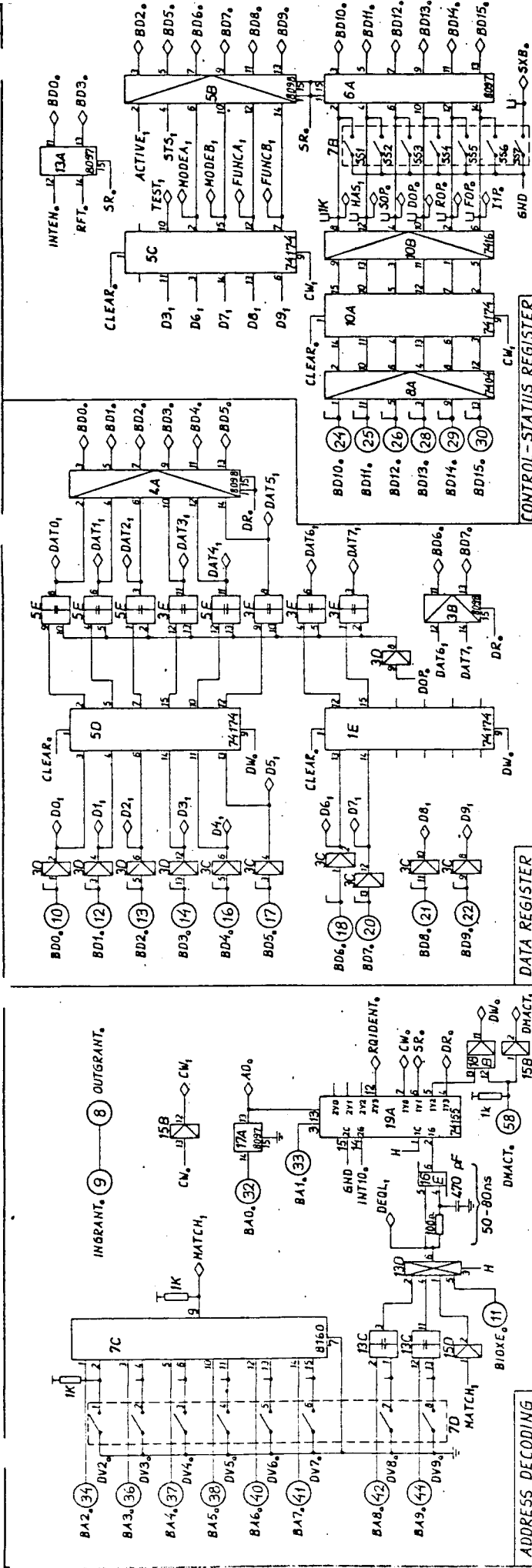
322608	H	C
CORRECTED ACCORDING TO ECO 100-21		
29.05.79	8.1	
3008	AF	
EURO BUS ADAPTER Control		
NORIK DATA A.S.		
5A18		





Oppdat. fig. ECO 10-630	19/03/81	BW
Ajourført	20.11.73	TU/Gull
SYNCHRONOUS MODEM BUFFER 1050		
AJS NORSK DATA-ELEKTRONIK		
2A50		





CONTROL-STATUS REGISTER

DATA REGISTER

ADDRESS DECODING

IDENT READ

IDENT CONTROL

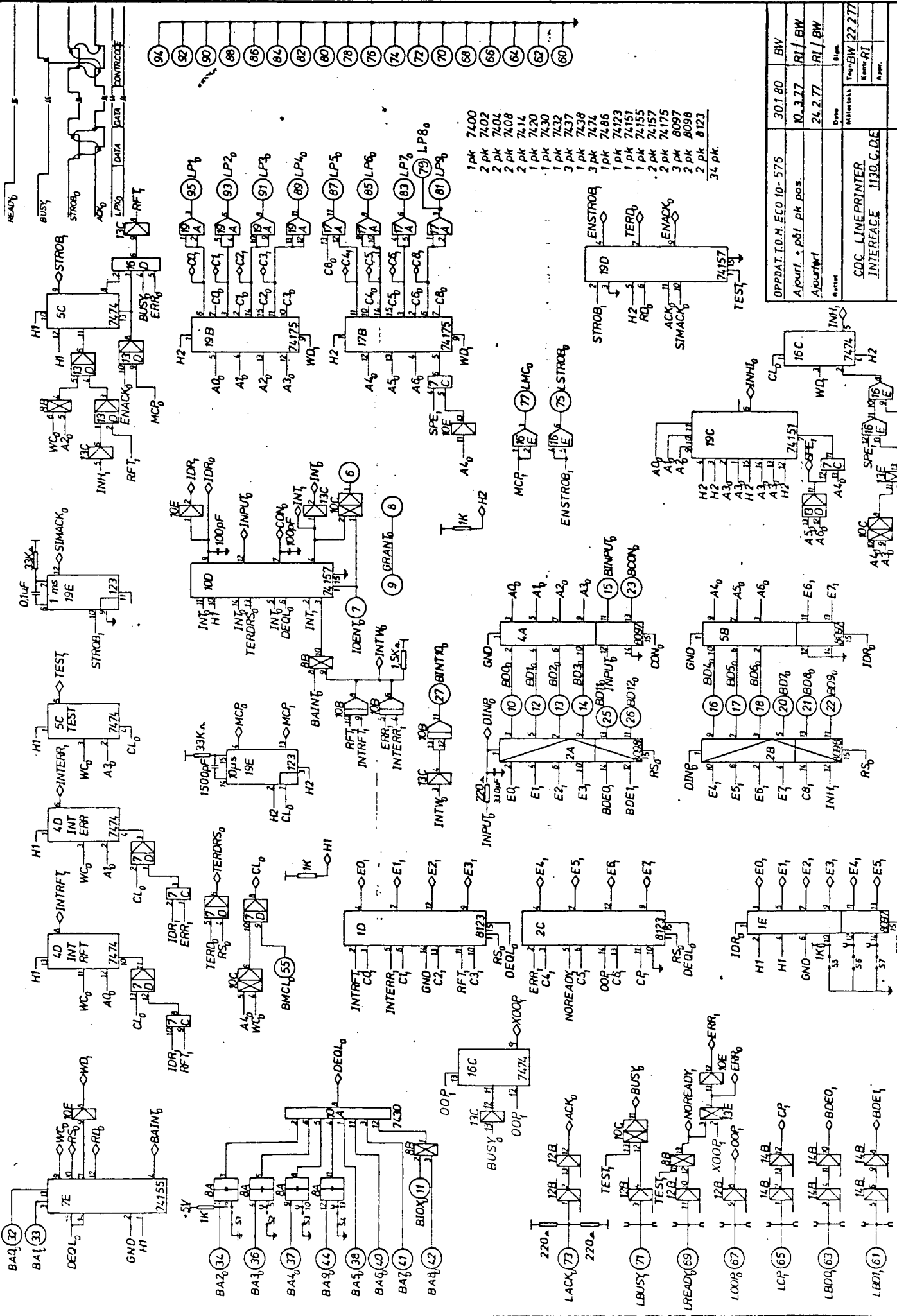
6ND TERMINALS:
94-92-90-88-86-
84-82-80-78-76-
74-72-70-68-66-
64-62

DEVICE CONNECTION

Alourført og påført C	12.5.76	PJJ / E-mail
P.k. pos. påført	29.1.76	TAA / BBO
Revet	Date	Sign.
Måltidstak		
Kontroll PJJ		
Temp. Grad / 16-1225		
PARALLEL BYTE OUTPUT		
1109.C		
A/S NORSK DATA-ELEKTRONIK		
4A09		

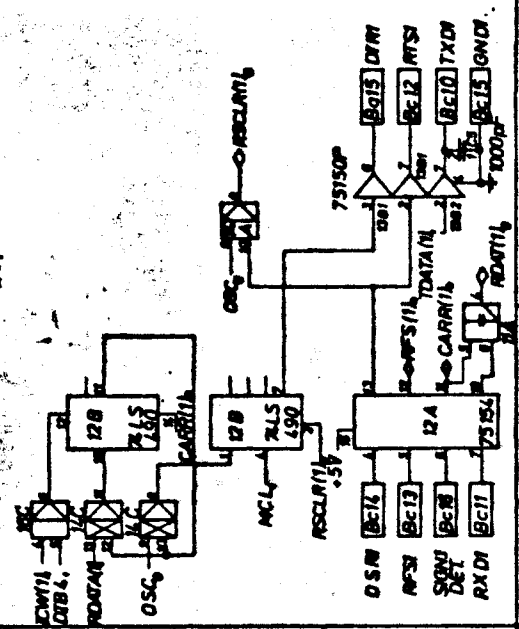
ACTIVATE

INTERRUPT CONTROL

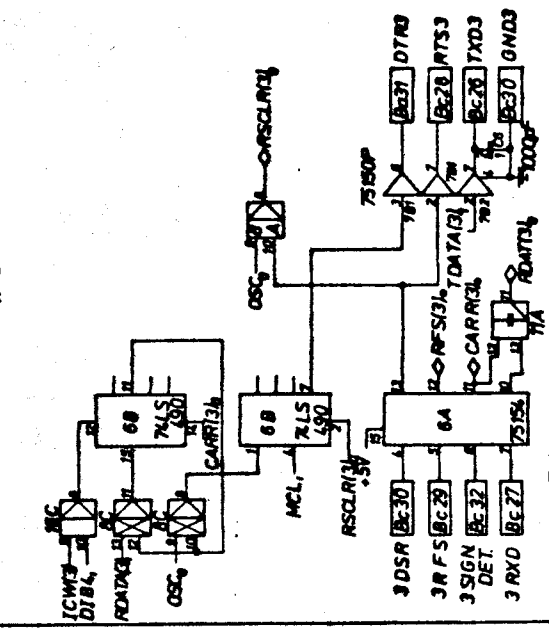


OPPDAT. I.D.M. ECO 10-576	301.80	B/W
Årsuppl. + pål. pk pos.	10.327	RI / BK
Årsuppl. netto	24.277	RI / BK
Date		
Mikroelektronik		
Page: B/W 22/277		
Name: RI		
Appr.		
GDC LINEPRINTER INTERFACE 1130 G.D.E.		
A/S NORSK DATA-ELEKTRONIK		
4A30		

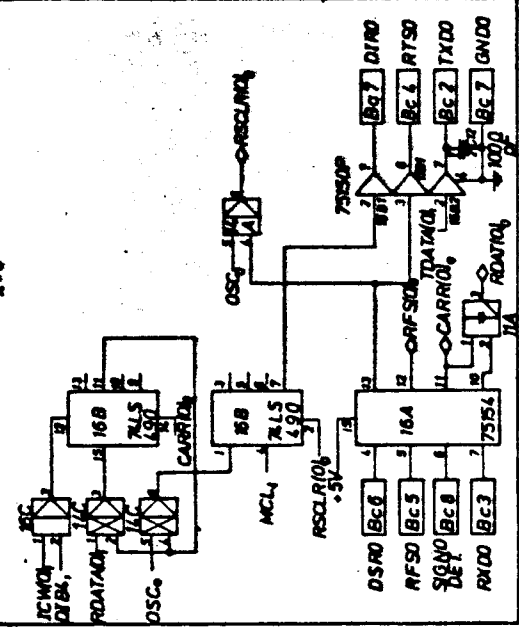
RS 232-C CHANNEL 1
X=1



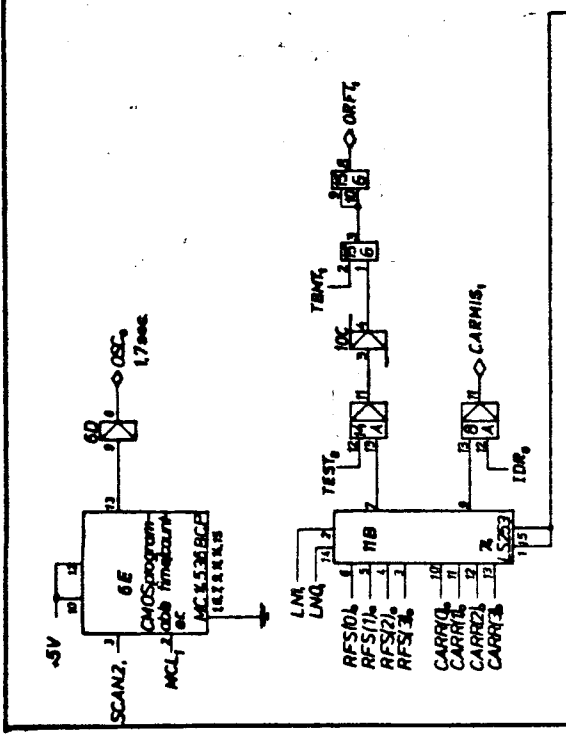
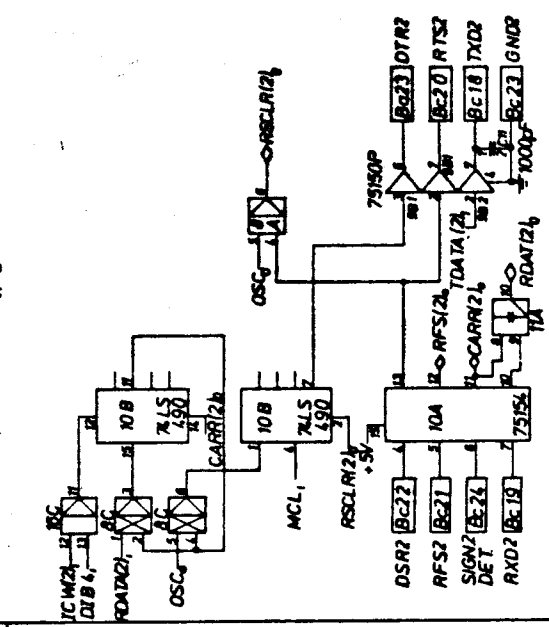
RS 232-C CHANNEL 3
X=3



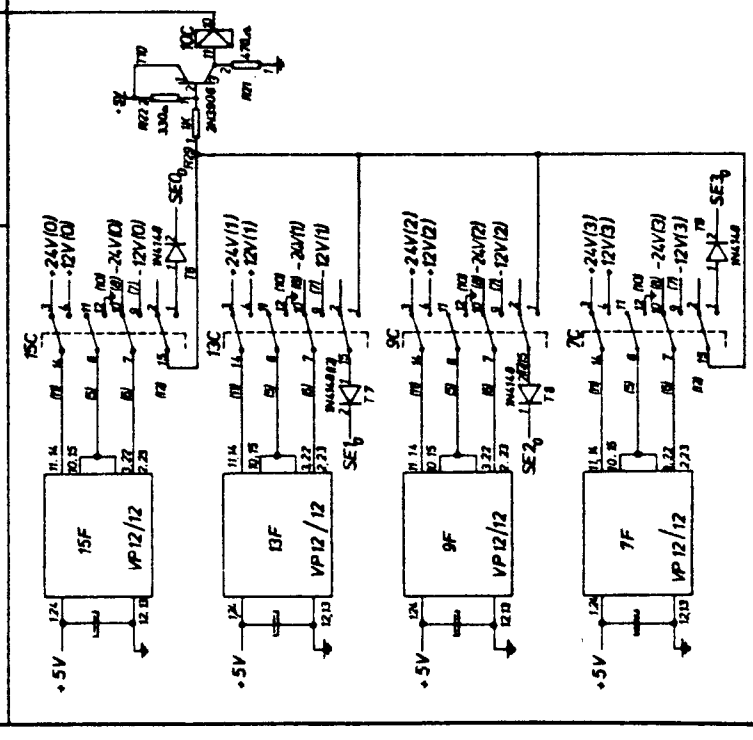
RS 232-C CHANNEL 0
X=0



RS 232-C CHANNEL 2
X=2

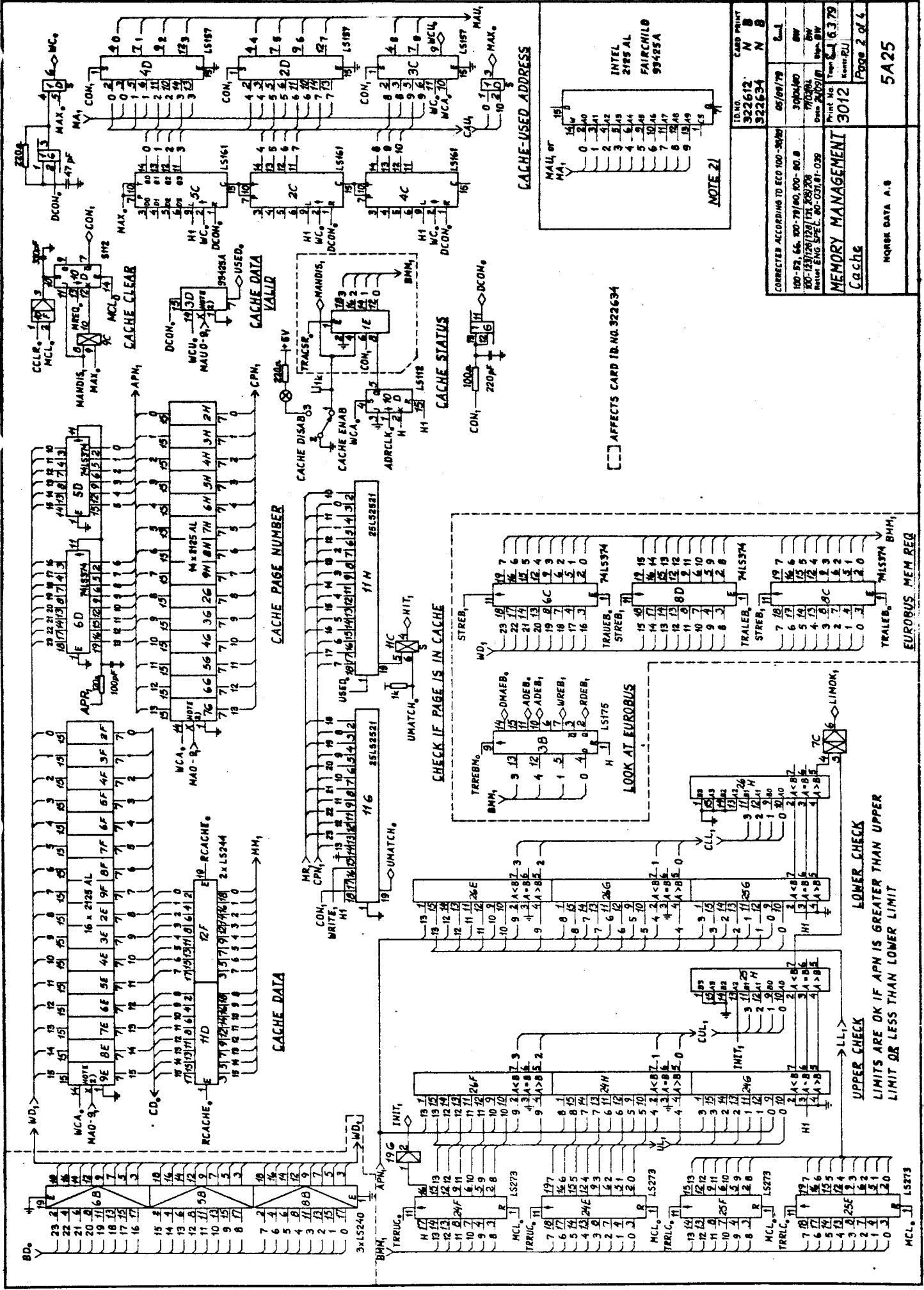


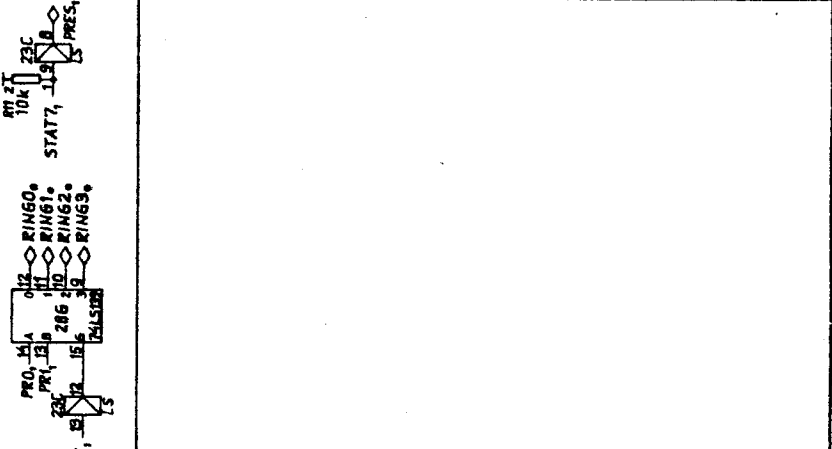
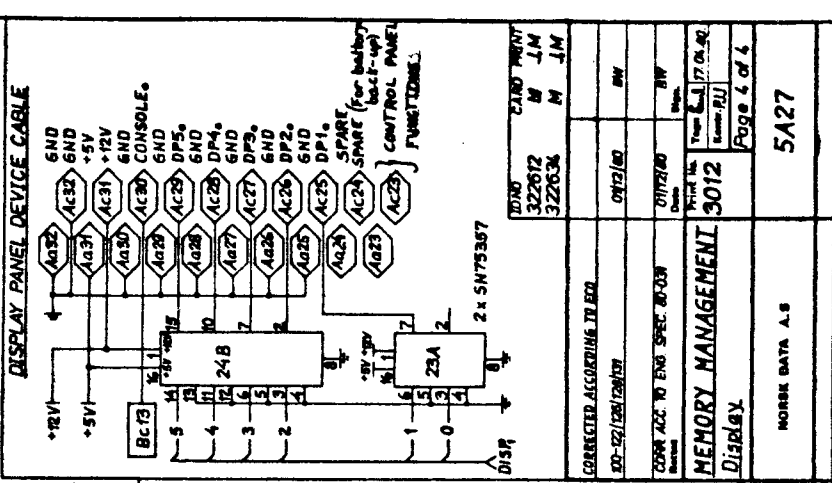
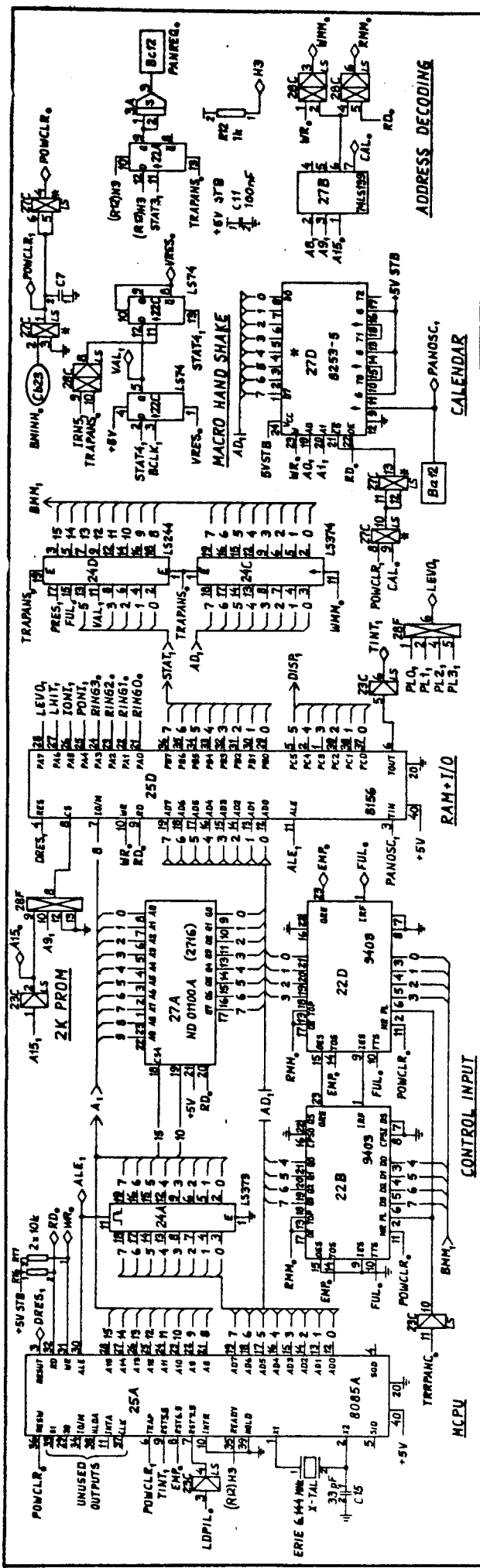
RS 232-C FUNCTIONS COMMON ALL CHANNELS

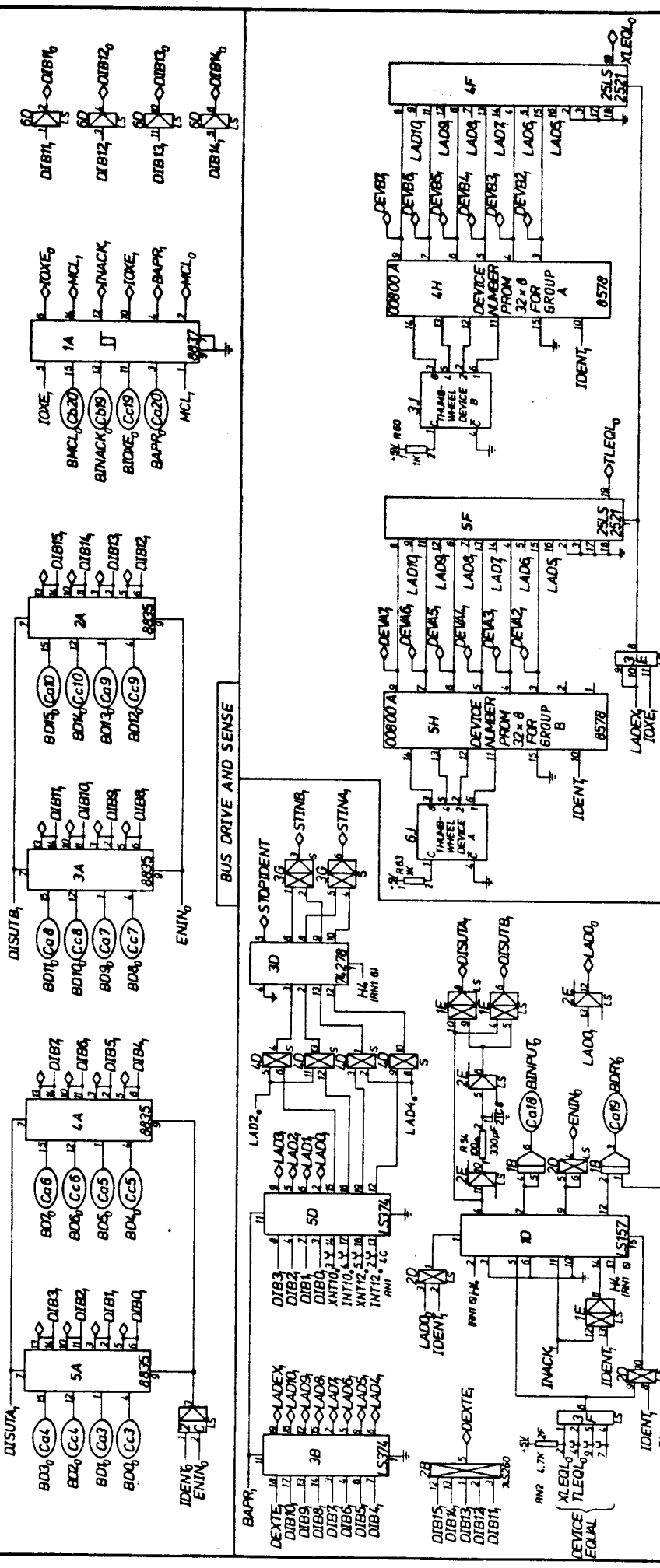


Switches on 0 selects current loop mode

REV. NO.	REV. DATE	REV. BY	REV. DATE
322610	P M N		
322633	P M N		
CORRECTED ACCORDING TO ECO 100-415			
ECO 100-70/20-44/60, P. 10, P. 102, 105			
CORR. ACC. TO ENG. SPEC. 79-07			
DATE: 10.02.81			
BY: [Signature]			
DRAWN: [Signature]			
CHECKED: [Signature]			
DATE: 13.2.75			
PAGE 3 OF 5			
3070			
FLOPPY AND 4 INTERNAL			
RS 232-C SIGNALS PAGE 3			
C.D.E.			
A/E HOME DATA-ELECTRONICS			
SA34			

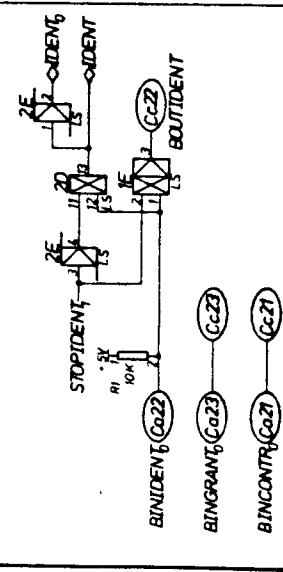
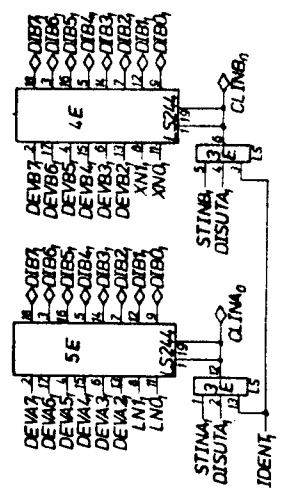






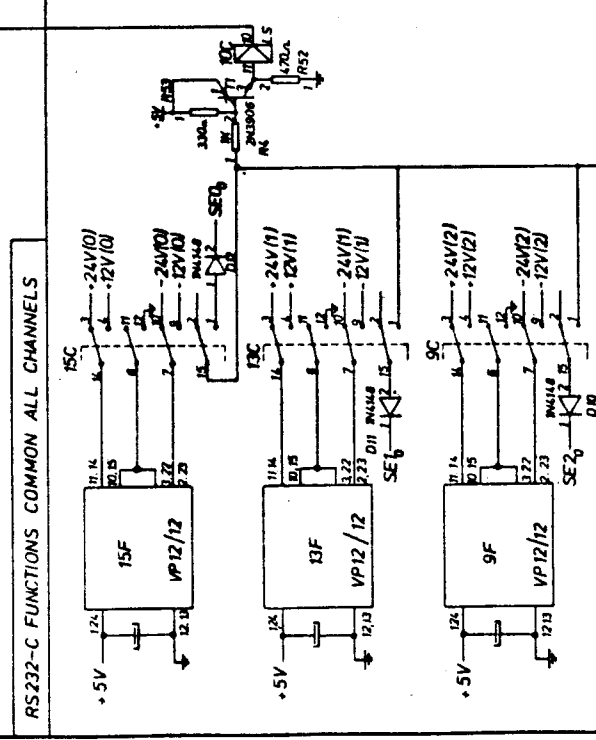
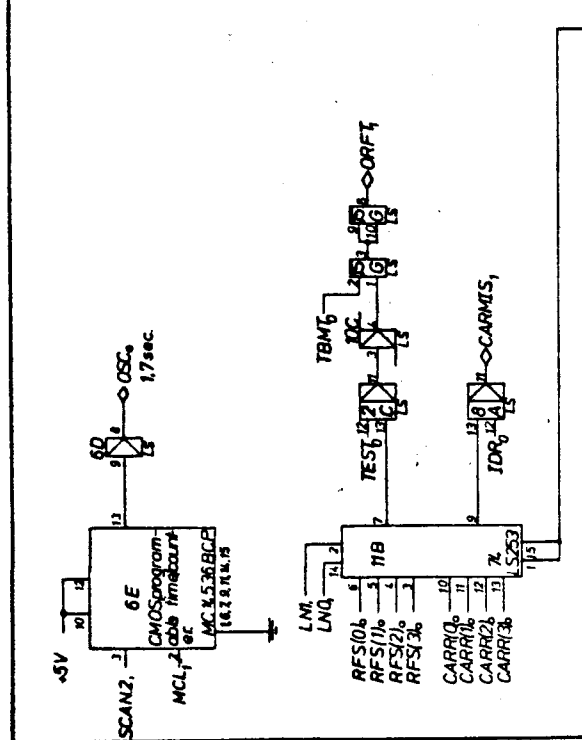
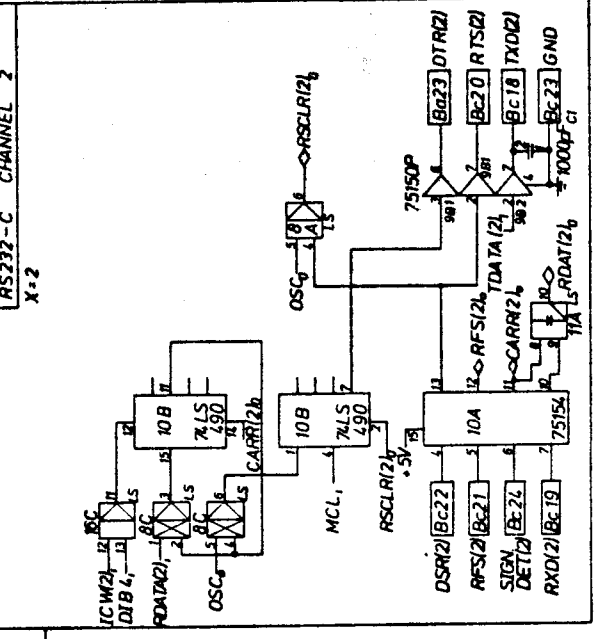
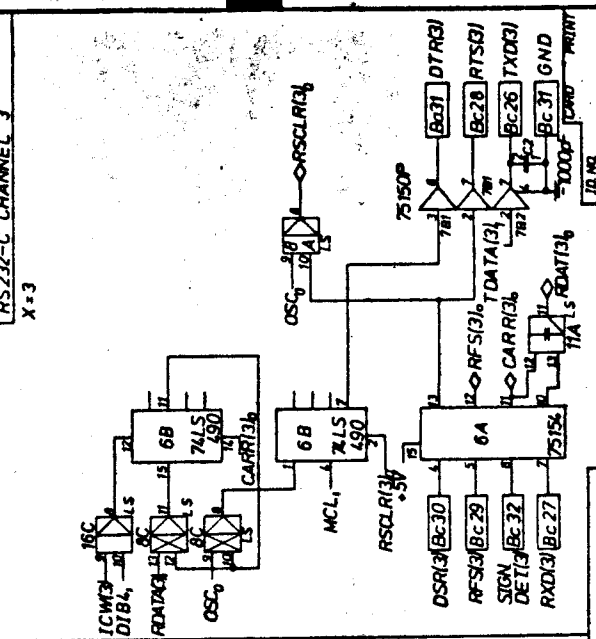
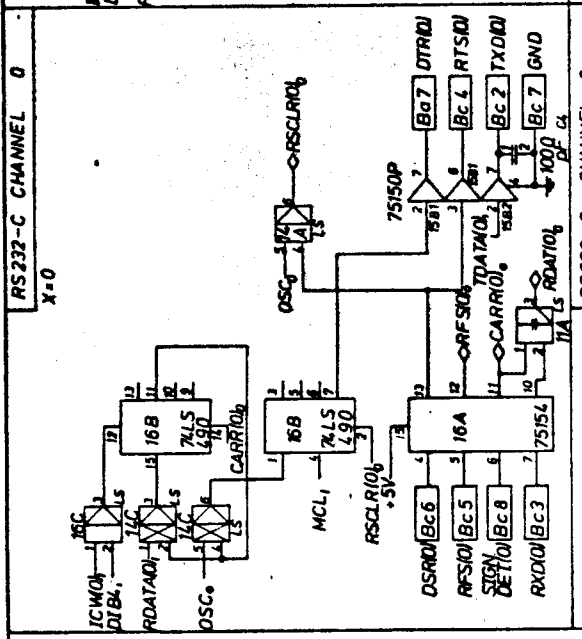
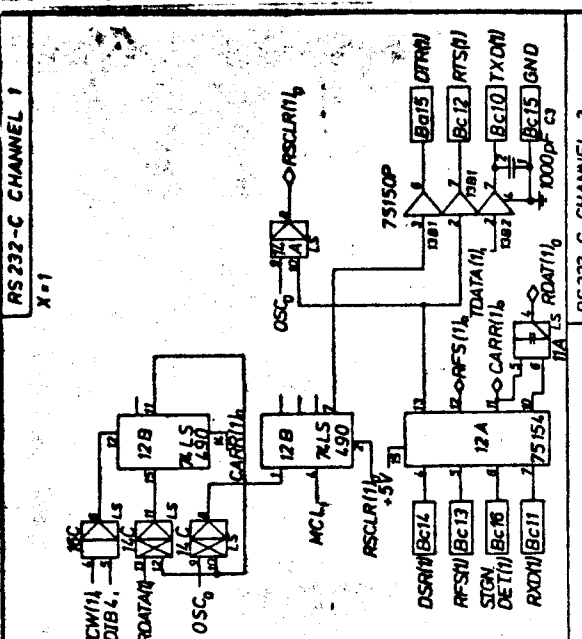
NOTE: The 3013 - module consist of two terminal groups, each containing 4 terminals. They are named **GROUP A** and **GROUP B**. **GROUP B** is identical to the 4-terminal group on the 3010-module, while **GROUP A** replaces the floppy interface on 3010. It also uses the A-plug instead of the B-plug. The signal names of **GROUP B** are the same as on 3010, and the signal names of **GROUP A** have the first letter changed to X.

TO NO.	322613	L	RMH
CORRECTED ACCORD TO ECO-100-4857	22.10.79		
ECO-60, 100-69, 100-92, 100-87,	7/10/4/60	BW	
ECO-108/119, 100-133, 100-141/145	13/01/8	A	
PRINT NO.	3013	Doc. No.	BW/18.4.79
Doc. No.	3013	Comp. PHE	
8 - TERMINAL INTERFACE			
STANDARD PART PAGE 1			
Page 1 of 5			
NORSK DATA AS			
Oslo, Norway			
5A28			



DEVICE NUMBER CONTROL

BUS CONTROL



REVISED BY	322619	1	DMAL
DATE	22.10.79		
NO. 60. 000-08. 000-03. 000-07	01. 02. 03. 04.		AL
NO. 006/100. 100-100-14/15	13. 03. 04.		AL
GROUP B			
3013			
TEMP. 00017.4.79			
GROUP B			
RS 232-C SIGNALS	PAGE 3		
5A30			

8-TERMINAL INTERFERENCE

GROUP B

3013

TEMP. 00017.4.79

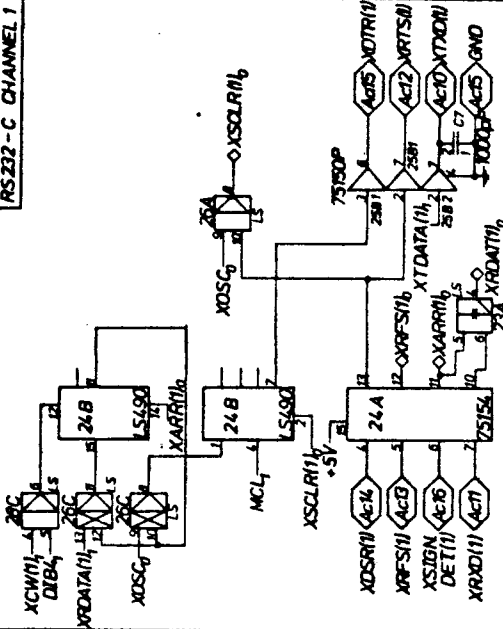
GROUP B

RS 232-C SIGNALS PAGE 3

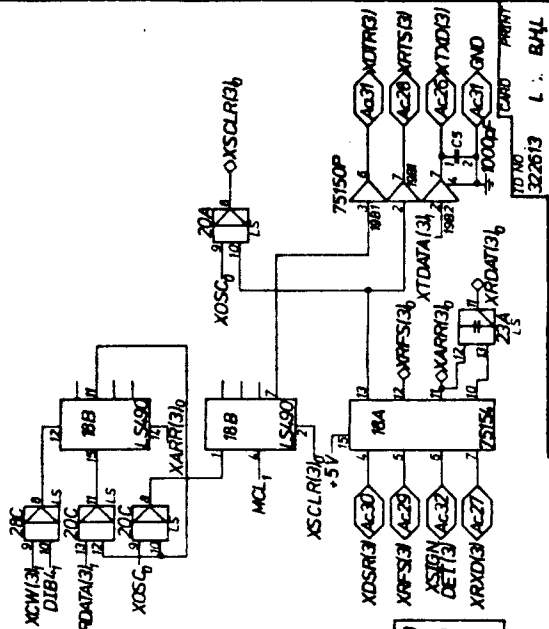
AS MOREK DATA-ELECTRONICS

Switches on 0 selects current loop mode

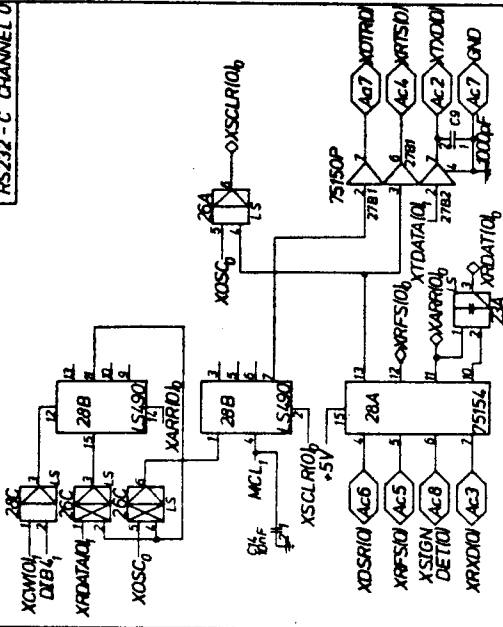
RS232 - C CHANNEL 1



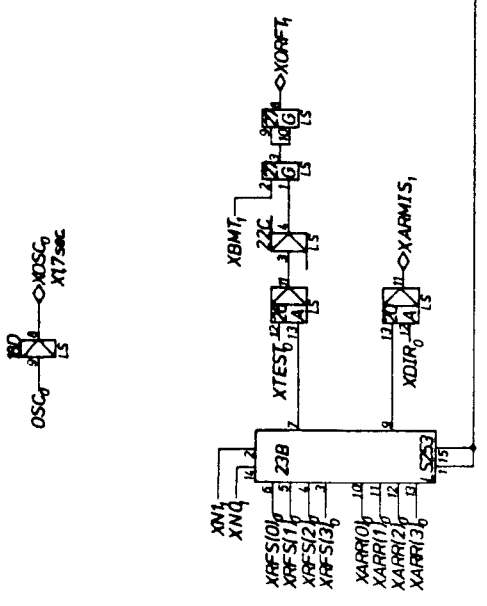
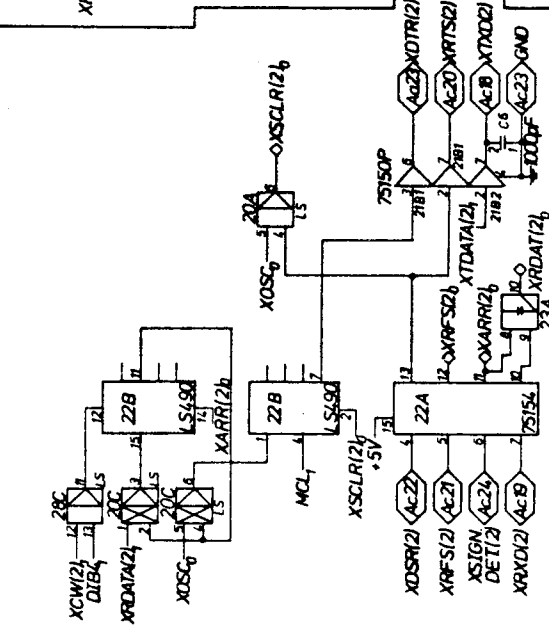
RS232 - C CHANNEL 3



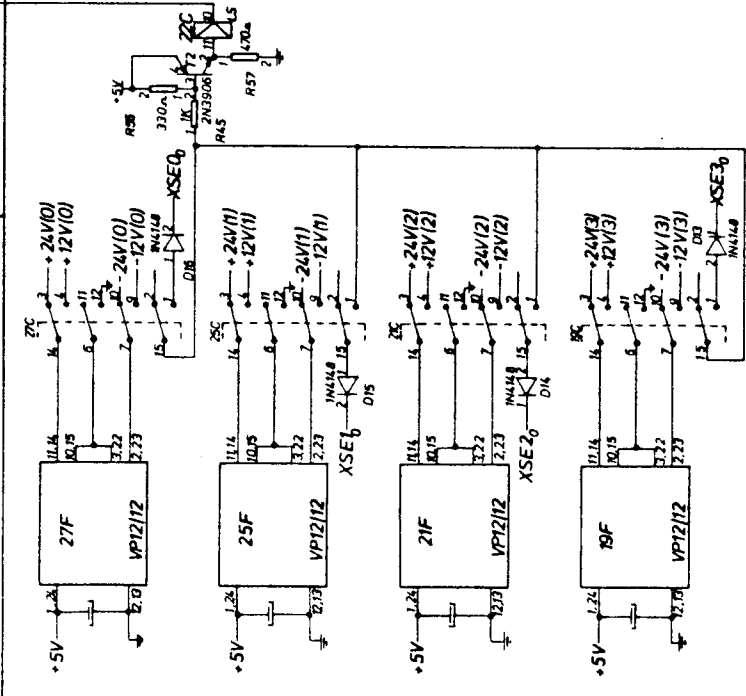
RS232 - C CHANNEL 0



RS232 - C CHANNEL 2

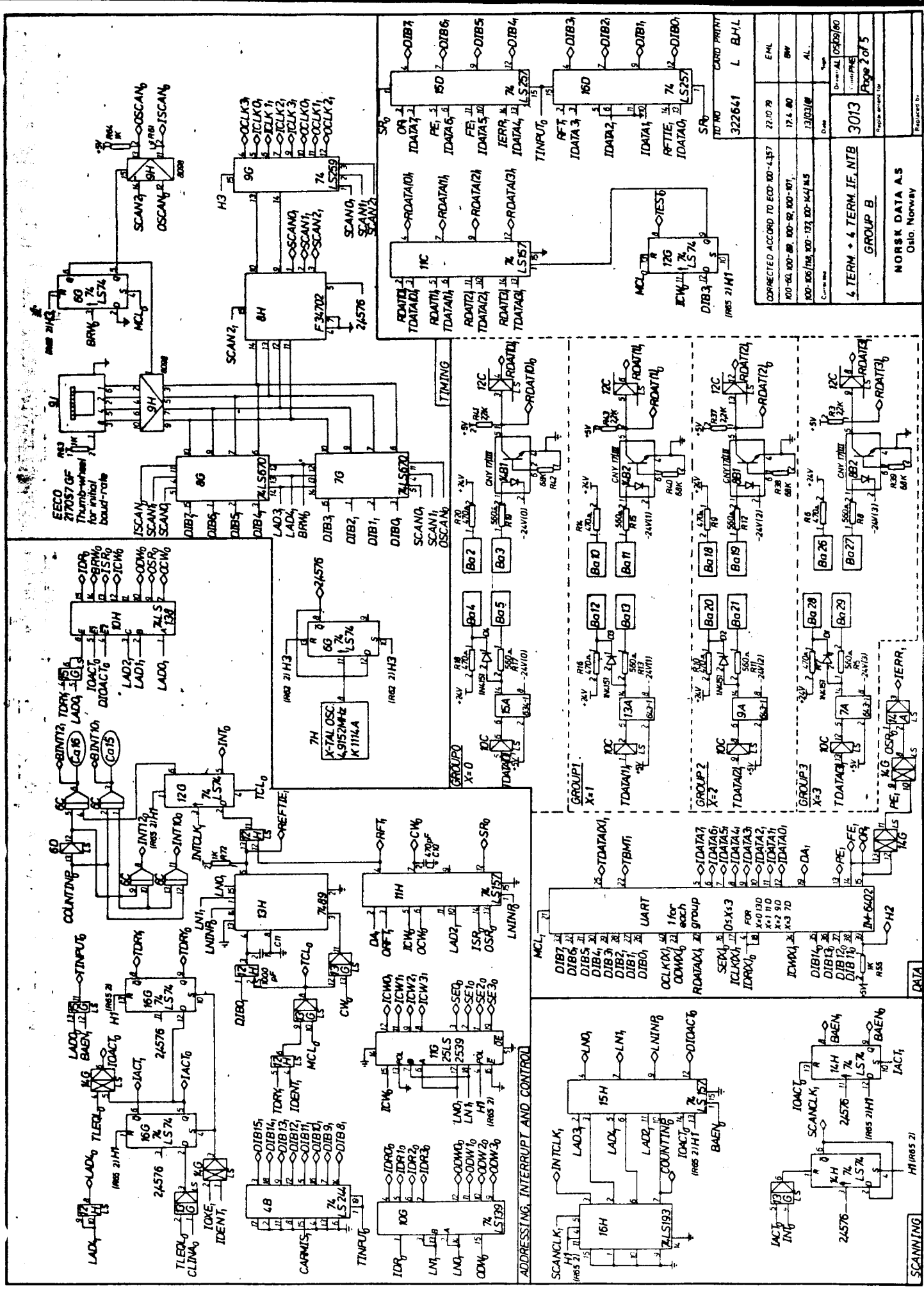


RS232 - C FUNCTIONS COMMON ALL CHANNELS



Switches on 0 selects current loop mode

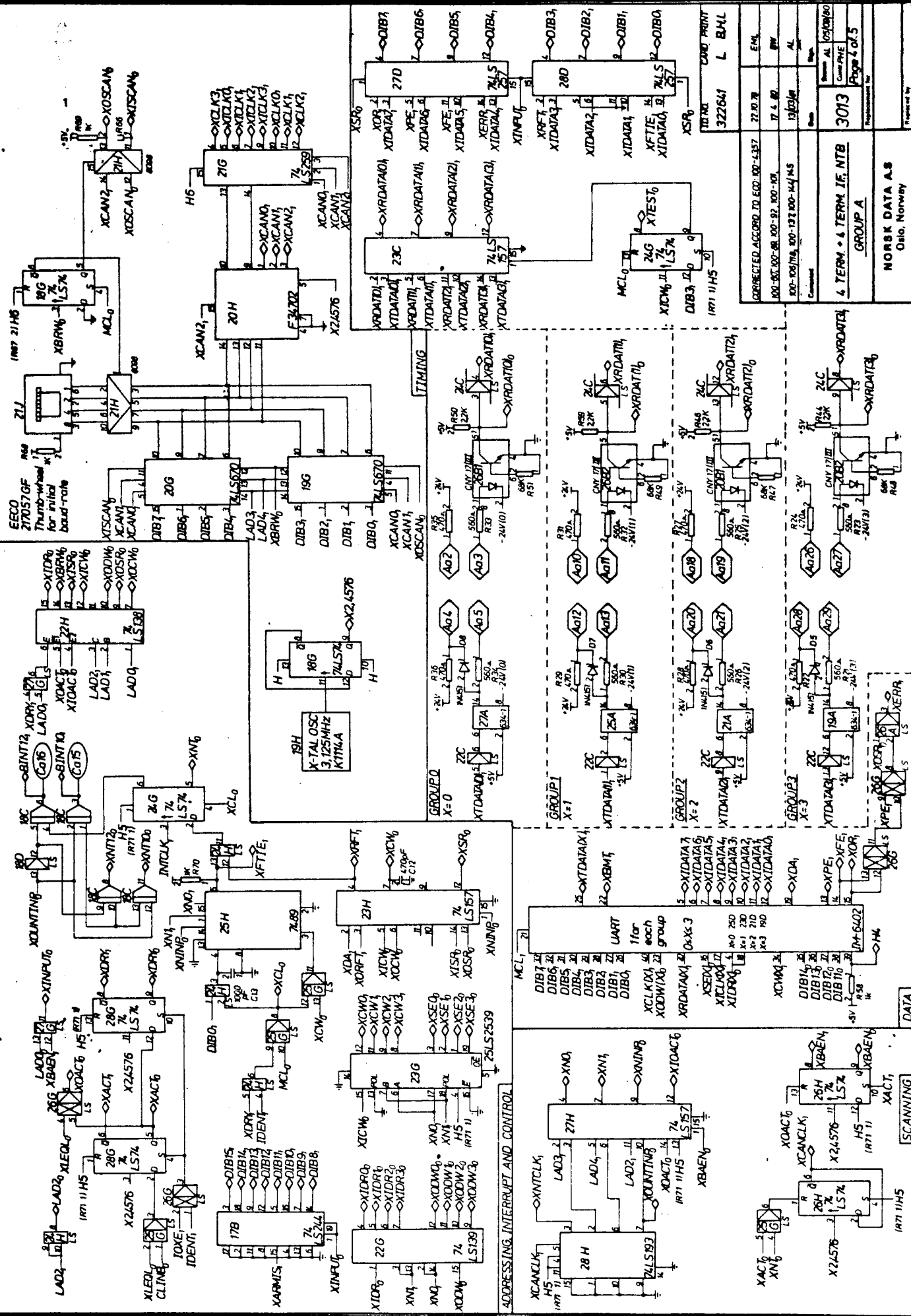
CORRECTED ACCORD TO ECO: 100-45, 52, 22-10, 79		22-10, 79	22-10, 79
100-60, 100-68, 100-92, 100-103	17/04/80	6W	
100-100/104, 100-137, 100-144/145	13/03/81	AL	
Comment			
0 - TERMINAL INTERFACE		PRINT NO	3013
GROUP A		DATE	17.4.79
RS232-C SIGNALS PAGE 5		COMP. FILE	
		PAGE	5 of 5
NORSK DATA AS		5448	
Oslo, Norway			



TO NO	322641	L B/H/L
DATE	22.10.79	E.M.L.
DESIGNED BY	17.6.80	B.W.
CHECKED BY	13.03.81	A.L.
DATE		
NO. OF SHEETS	3013	OF TOTAL (3039) 60
PROJECT NO.	4 TERM + 4 TERM IE, NTB	
GROUP	GROUP B	
SCALE		
REVISIONS		
APPROVED BY		
PROJECTED BY		

CORRECTED ACCORD TO EOD: 800-4357
 800-501-800-80, 800-801-801
 800-806/808-800-133, 800-841/845

NORSK DATA A/S
 Oslo, Norway



ECCO 210376F
Thumb-wheel
for initial
board-rotate

1007 211H5

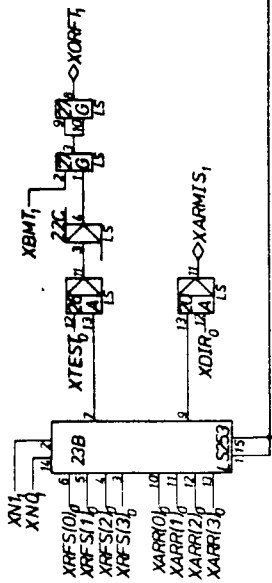
1007 211H5

1007 211H5

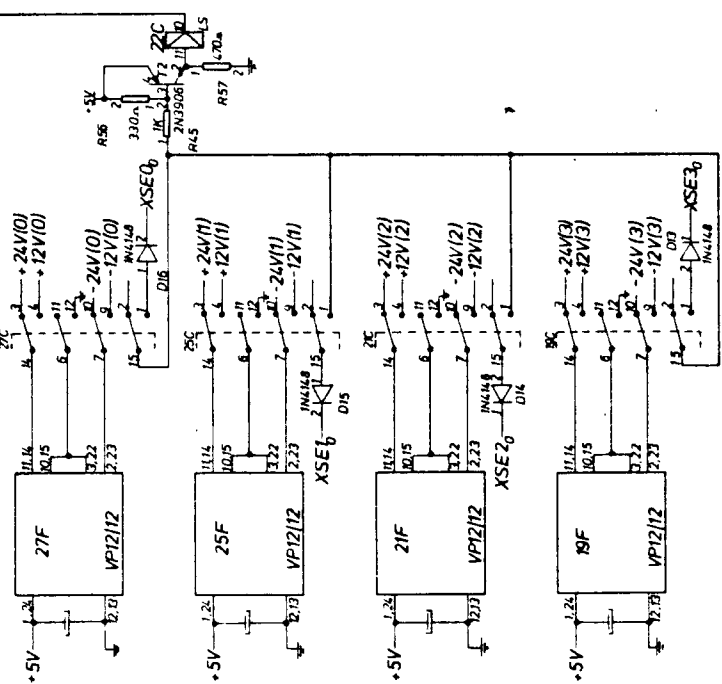
1007 211H5

322641	L	BML
22107		EML
17.6.80		BY
13109		AL
3013		Page 2 of 3
GROUP A		4 TERM. 6 TERM. 15. NTB
NORSK DATA AS Oslo, Norway		

CORRECTED ACCORD TO ECO: 007-4357		
100-502-00-88	100-92	100-101
100-108/118	100-131/100-144/145	
GROUP A		
4 TERM. 6 TERM. 15. NTB		
NORSK DATA AS Oslo, Norway		

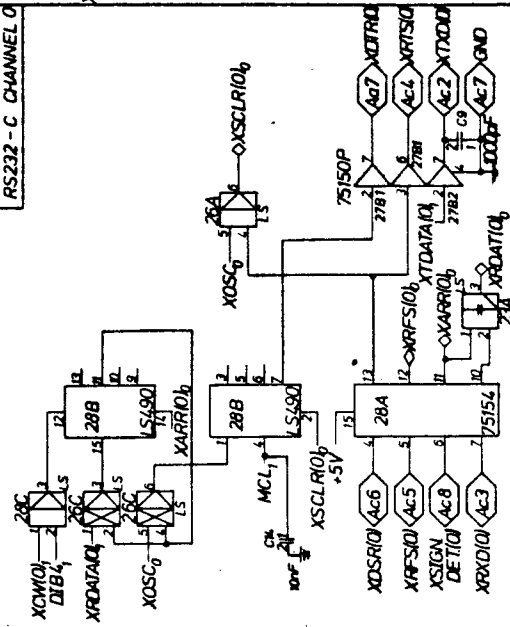


RS232 - C FUNCTIONS COMMON ALL CHANNELS

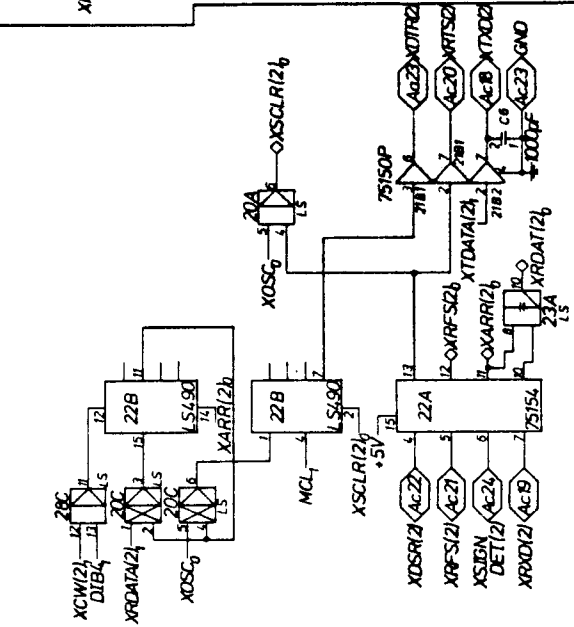


Switches on 0 selects current loop mode

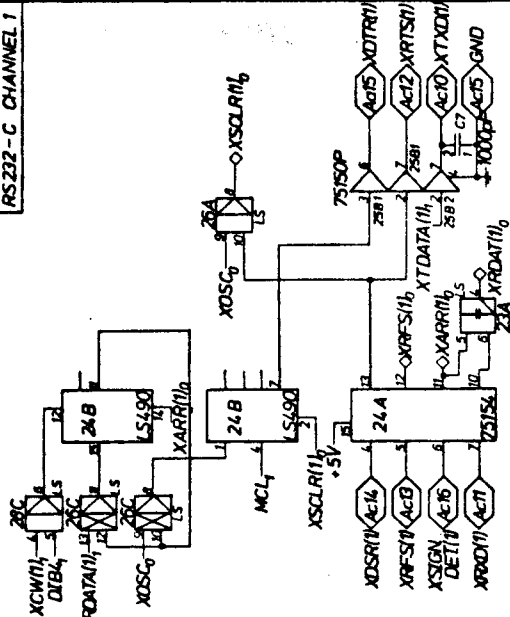
RS232 - C CHANNEL 0



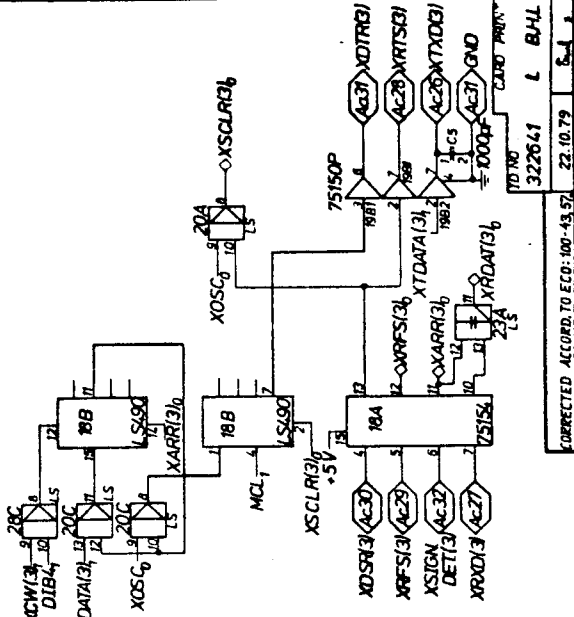
RS232 - C CHANNEL 2



RS232 - C CHANNEL 1

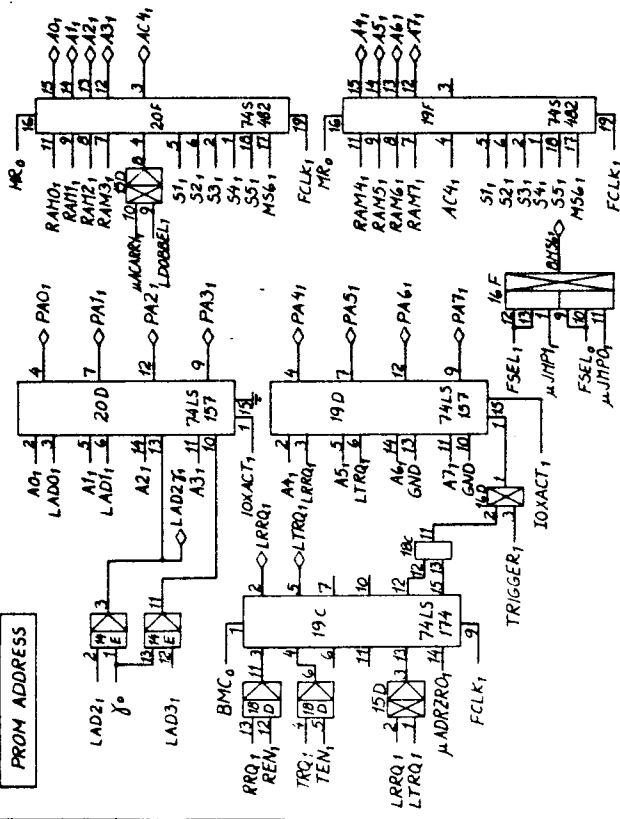


RS232 - C CHANNEL 3

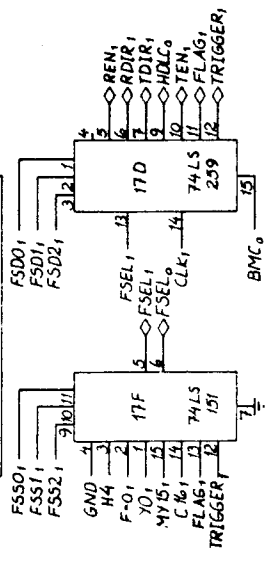


CORRECTED ACCORD TO ECO: 100-43,57		22.10.79	R ₁
100-80, 100-88, 100-92, 100-97		17/04/80	BW
100-108/118, 100-131, 100-144/145		13/03/81	AL
Contracted		Date	Sign
PRINT NO	3013	Drawn	BW/LS/SG/BO
Checked		Comp	PH/EL
Page 5 of 5			
GROUP A RS232-C SIGNALS			
NORSK DATA AS Oslo, Norway			

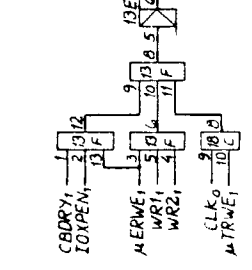
PROM ADDRESS



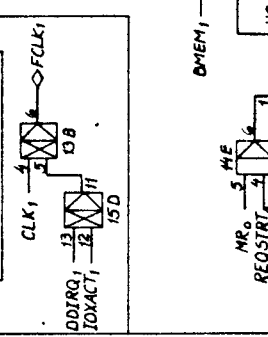
FUNCTION SOURCE/DESTINATION



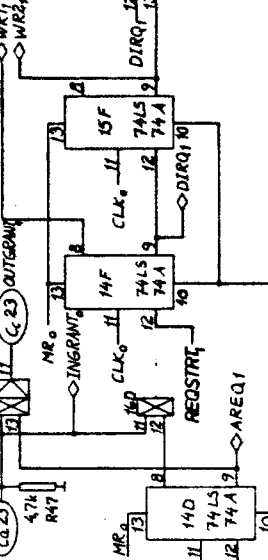
RAM READ/WRITE ENABLE



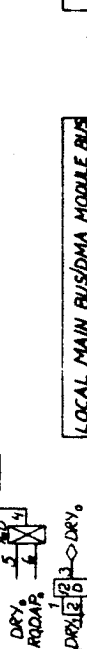
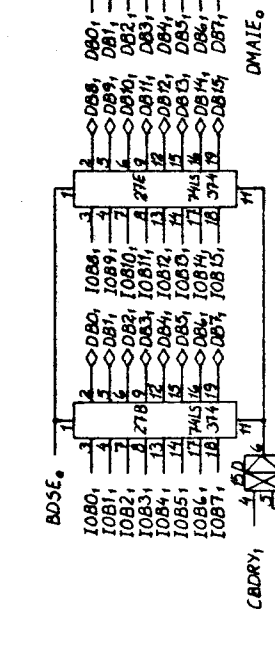
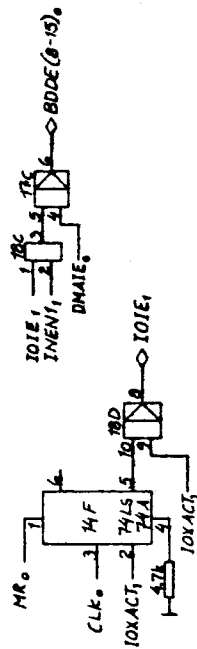
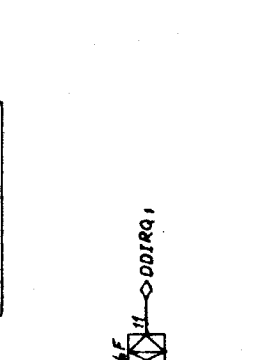
MAIN DMA MODULE CLOCK



LOCAL MAIN BUS/DMA MODULE BUS



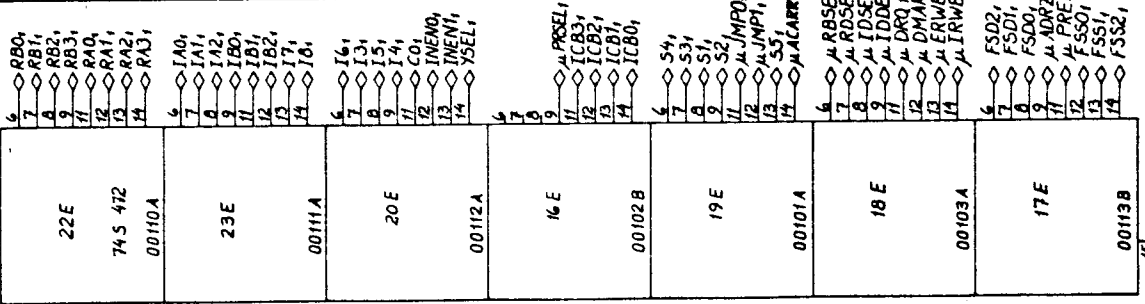
DMA MODULE BUS/LOCAL MAIN BUS



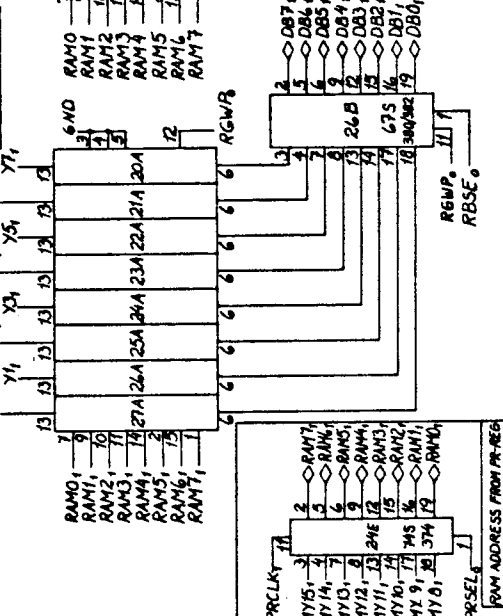
DATE	322615	322635	DATE PRINT	H C
CORR. ACCORD TO	REQ. 100-164		DESIGNED BY	AL
	100-164-107-100-165-100-166		CHECKED BY	BM
Control No.			Date	
Project	3015		Drawn/APP BY/NO/TS	
			Comm-TSP	
			Part 3 of 5	
			Registration No.	5A41
			Project No. BY	
NORSK DATA A.S.		Oslo, Norway		

PROGRAM (312-64 BIT ROM)

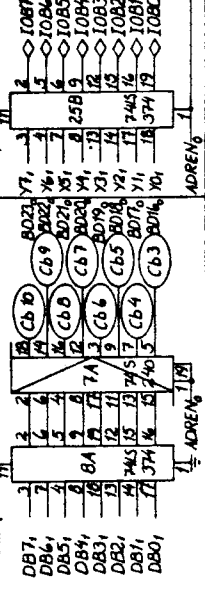
- P10,
- PAT,
- PA2,
- PA3,
- PA4,
- NOLC,
- PAS,
- PAT,



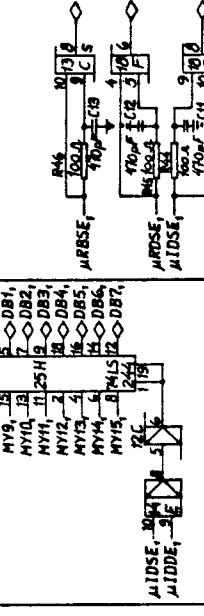
256 x 16 BIT RAM



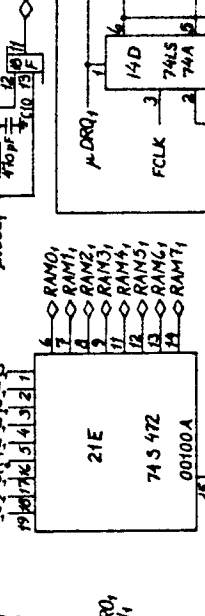
DMA ADDRESS BIT # 23



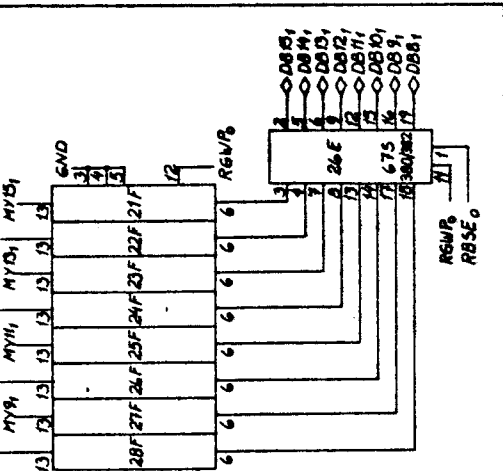
DMA ADDRESS BIT # 15



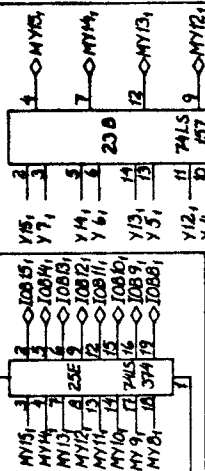
MOVE MOST BYTE TO LEAST BYTE



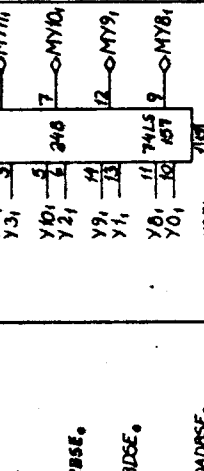
MOST/LEAST BYTE SELECT



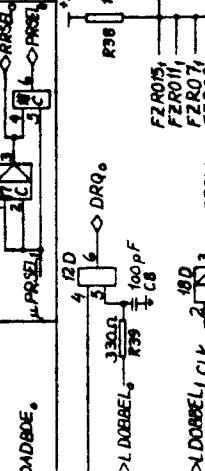
WRITE ADDRESS SOURCE SELECT



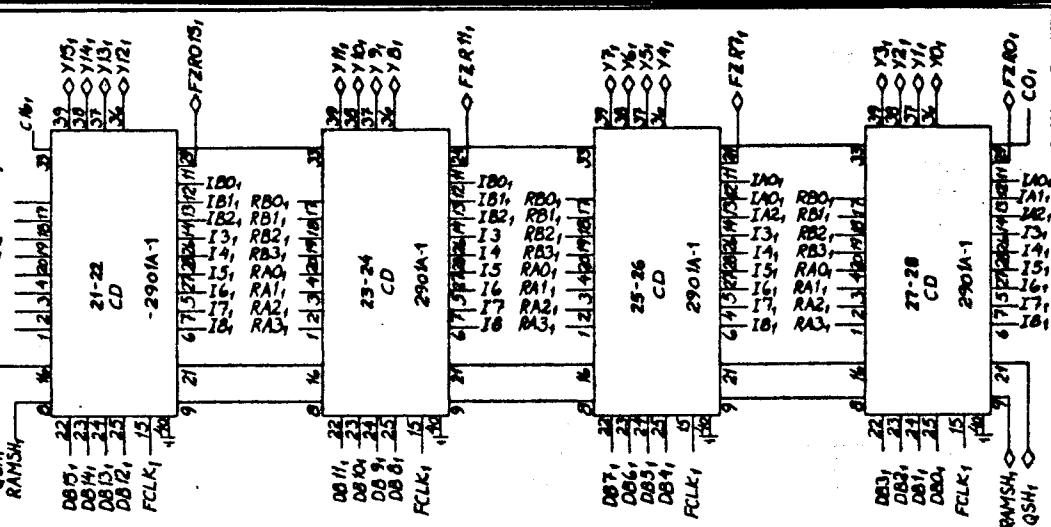
RAM ADDRESS BIT # 15



RAM ADDRESS BIT # 7



4 x 2901A PROFILE SOURCE SIZES



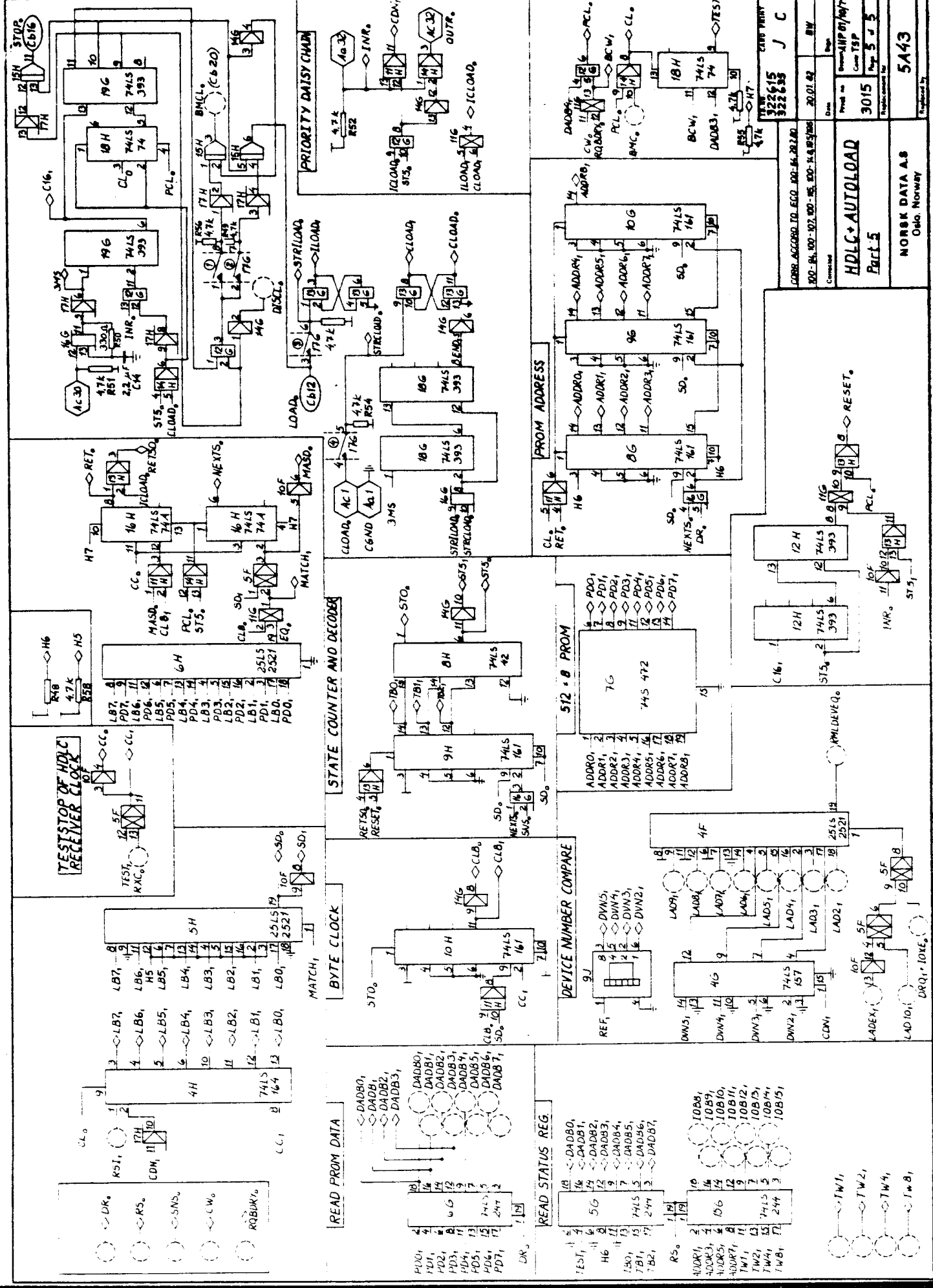
COMP. ACCORD TO: 800-84-800-87 800-84-800-87 800-84-800-87

3015

Part 4

NORSK DATA AS Oslo, Norway

5A42



HDLG-AUTOLOAD
Part 5

NORSK DATA A.8
Oslo, Norway

3015
Page 5 of 5

NO. 3015
REV. 03.01.82

NO. 3015
REV. 03.01.82

NO. 3015
REV. 03.01.82

NO. 3015
REV. 03.01.82

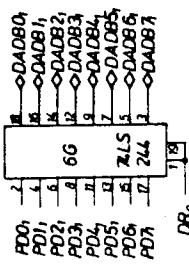
NO. 3015
REV. 03.01.82

NO. 3015
REV. 03.01.82

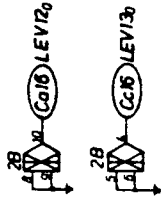
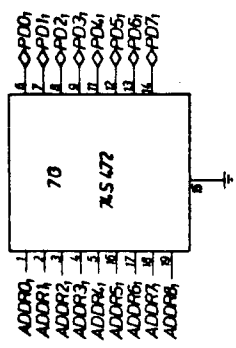
NO. 3015
REV. 03.01.82

NO. 3015
REV. 03.01.82

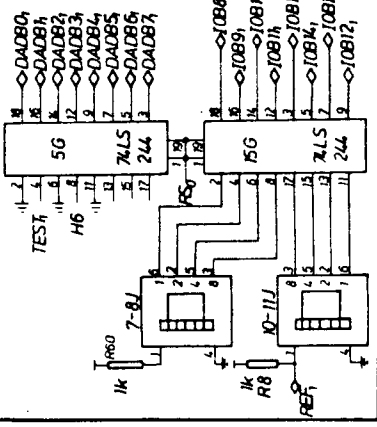
READ PROM DATA



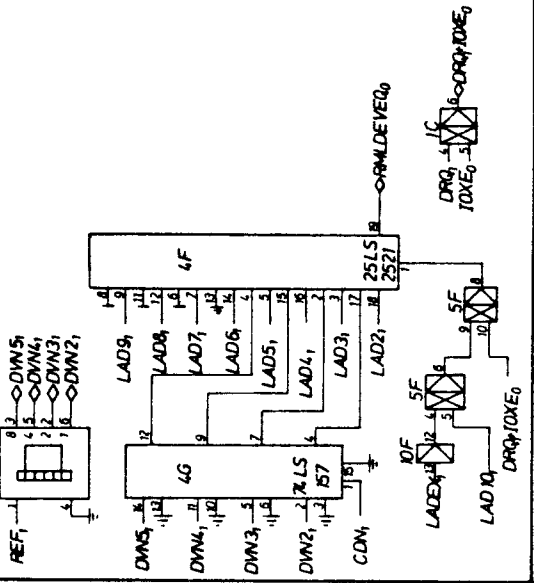
512x8 PROM



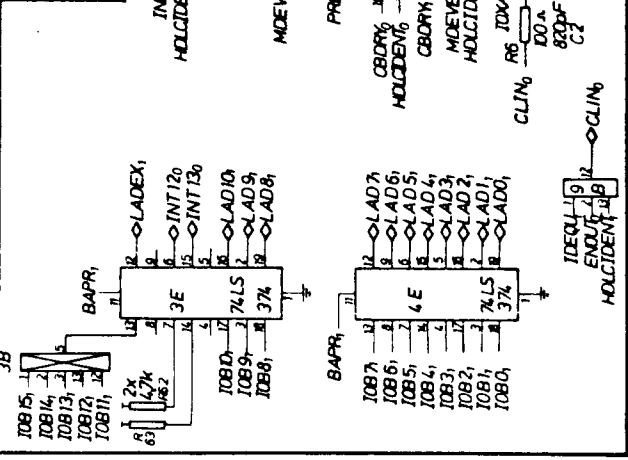
READ STATUS REG.



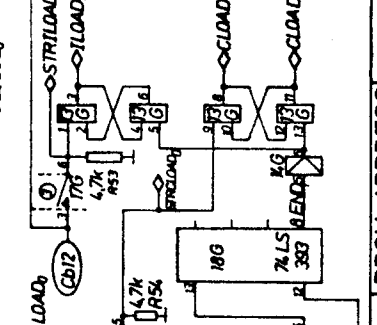
DRIVE NUMBER COMPARE



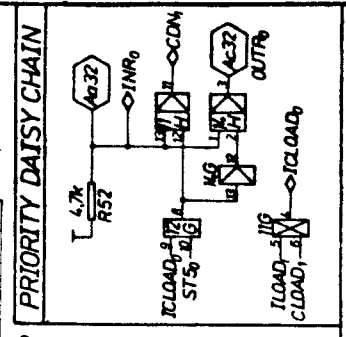
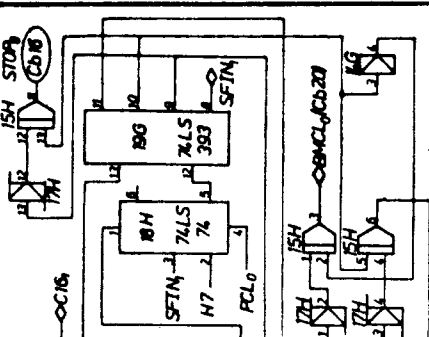
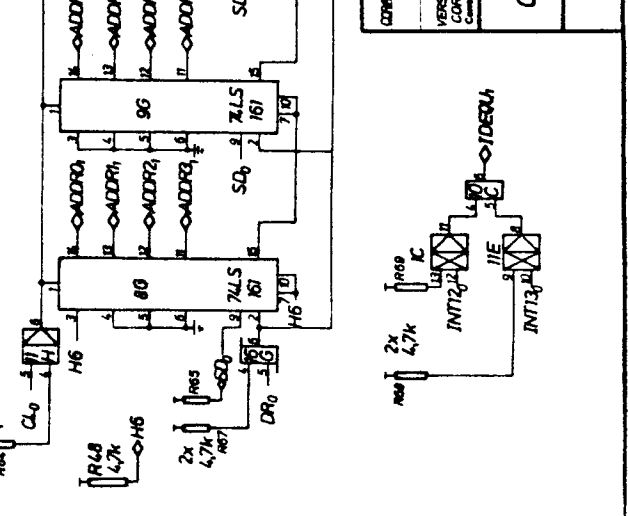
DRIVE NUMBER CONTROL



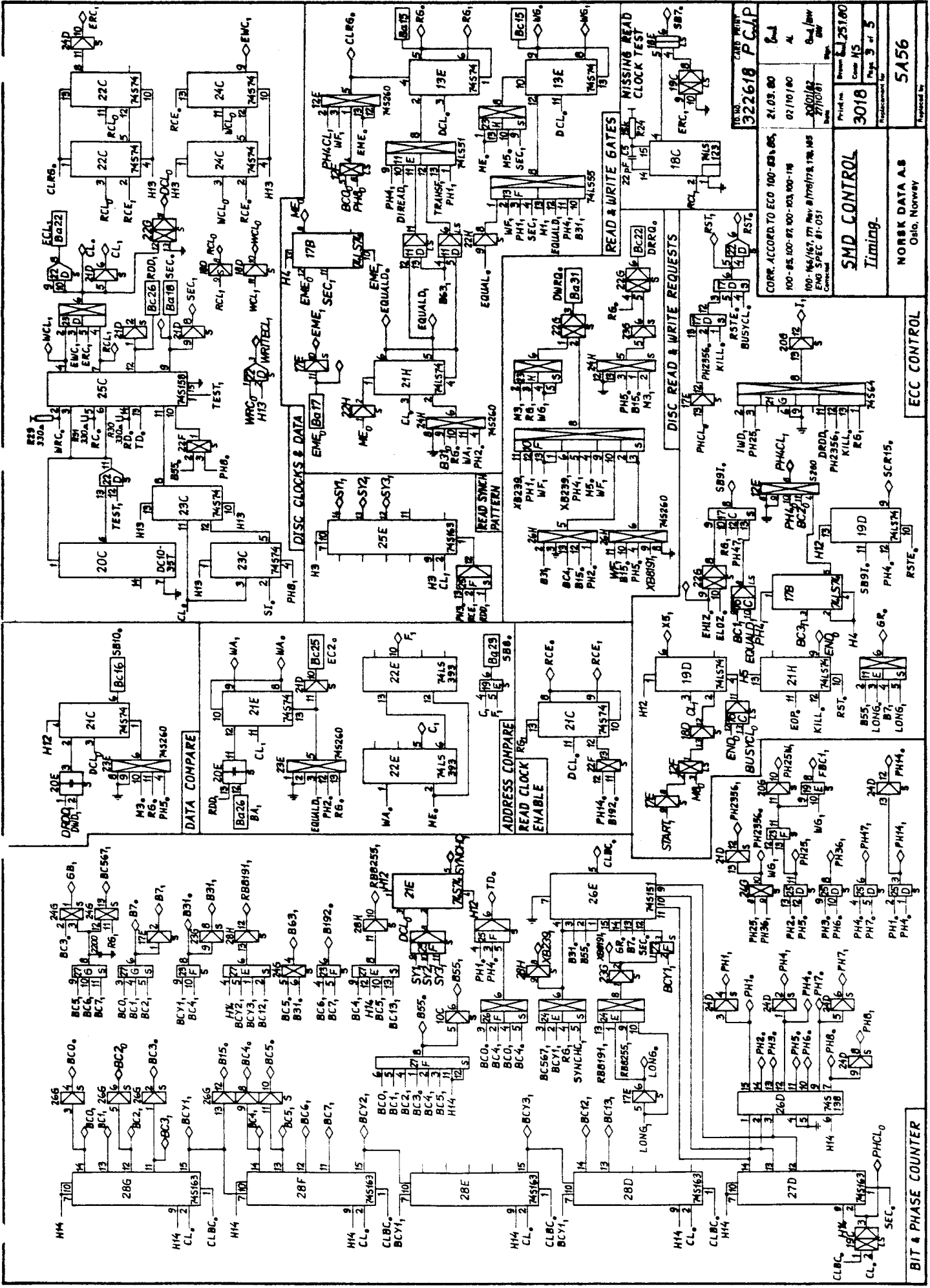
PRIORITY DAISY CHAIN



PROM ADDRESS



COMP. ACCORD TO REV. 107-838/100-8	28/10/80	BN
VERSION 08 ADDED	08/08/81	BN
COMP. ACCORD TO ENG SPEC. #1-03	08/08/81	BN
CERN AUTOLOAD		
3015	Page 2 of 2	
NORSK DATA A.8		
Oslo, Norway		
5A 77		



NOVA	322618	PCAP
DATE	21.03.80	
REV	01/10/80	
DESIGNED BY	AL	
DRAWN BY	AL	
CHECKED BY		
APPROVED BY		
PROJECT NO.	3018	
DATE	20/01/82	
SCALE	1:1	
FIG. NO.	3	OF 5
PRICE	£1251.00	
CUSTOMER	SMD CONTROL	
COMPANY	Imaging	
ADDRESS	NORSK DATA AS	
CITY	Oslo, Norway	
PHONE	5A56	

CORR. ACCORD TO ECO 100-003-005.
 100-05-100-00-003-000-118
 100-145/152-171 Rev. 01/10/78 178-145
 ENG SPEC 01-051
 Control

ECC CONTROL

PH1, 2, 3, 4, 5, 6, 7, 8, 9, 10, 11, 12, 13, 14, 15, 16, 17, 18, 19, 20, 21, 22, 23, 24, 25, 26, 27, 28, 29, 30, 31, 32, 33, 34, 35, 36, 37, 38, 39, 40, 41, 42, 43, 44, 45, 46, 47, 48, 49, 50

ADDRESS COMPARE

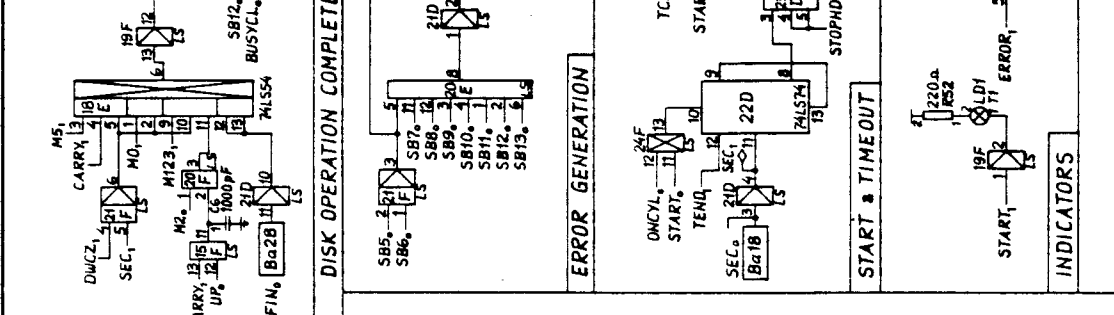
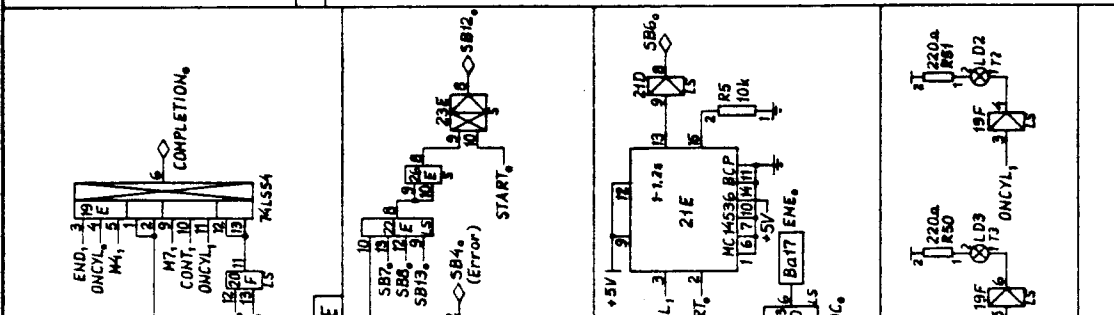
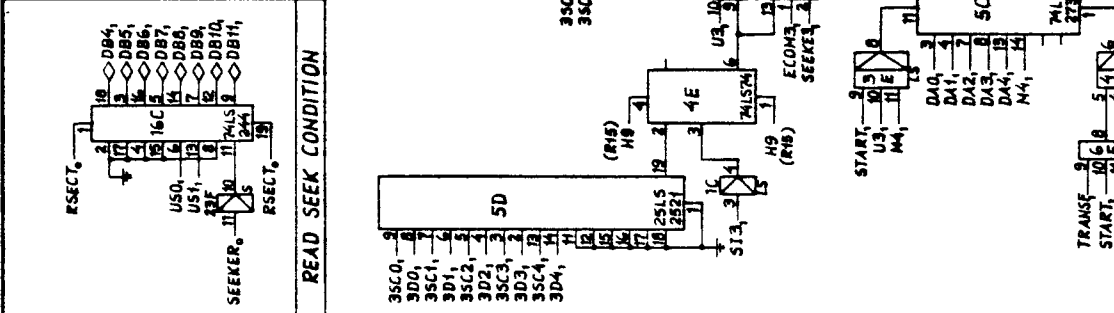
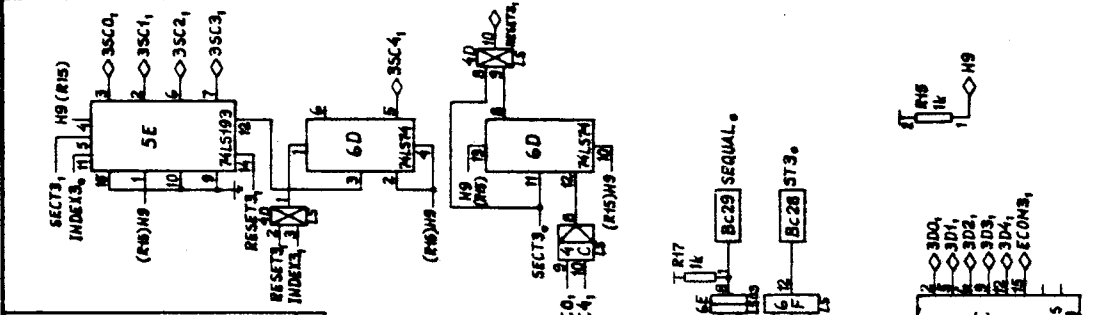
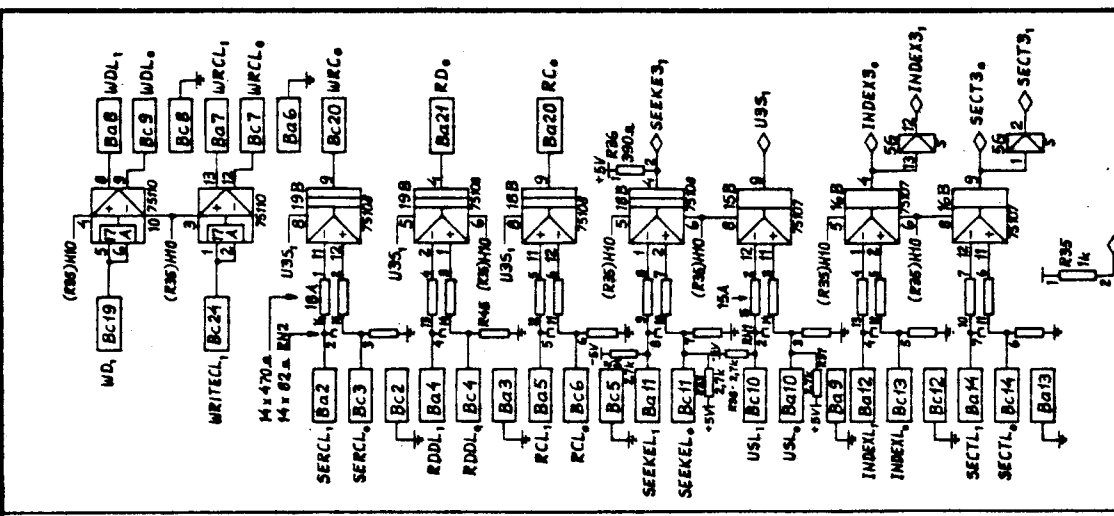
DATA COMPARE

DISC CLOCKS & DATA

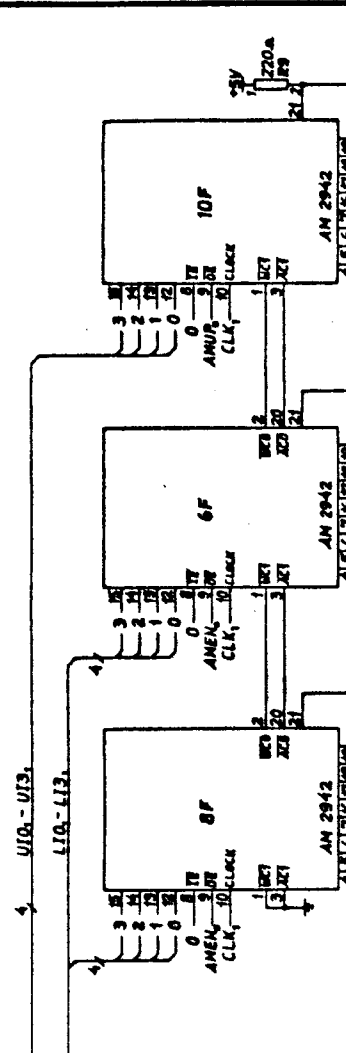
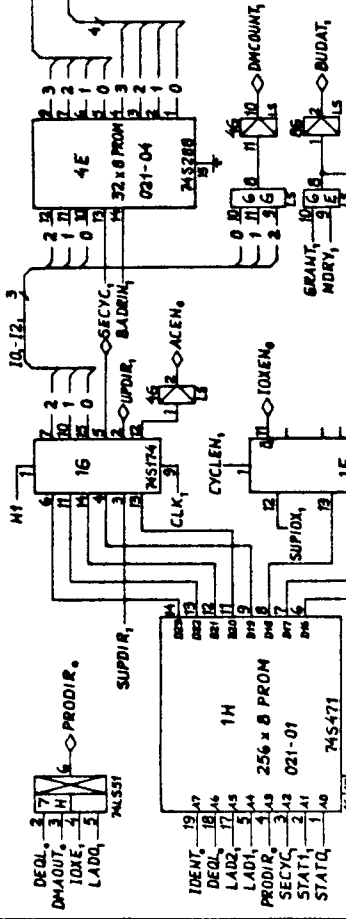
READ & WRITE GATES

DISC READ & WRITE REQUESTS

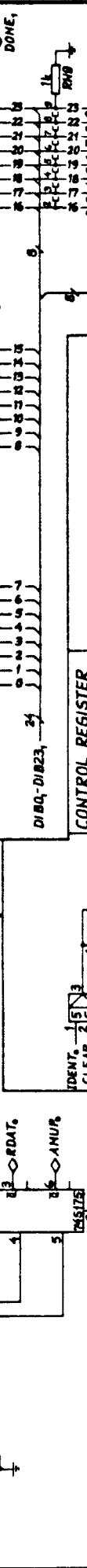
MISSING READ CLOCK TEST



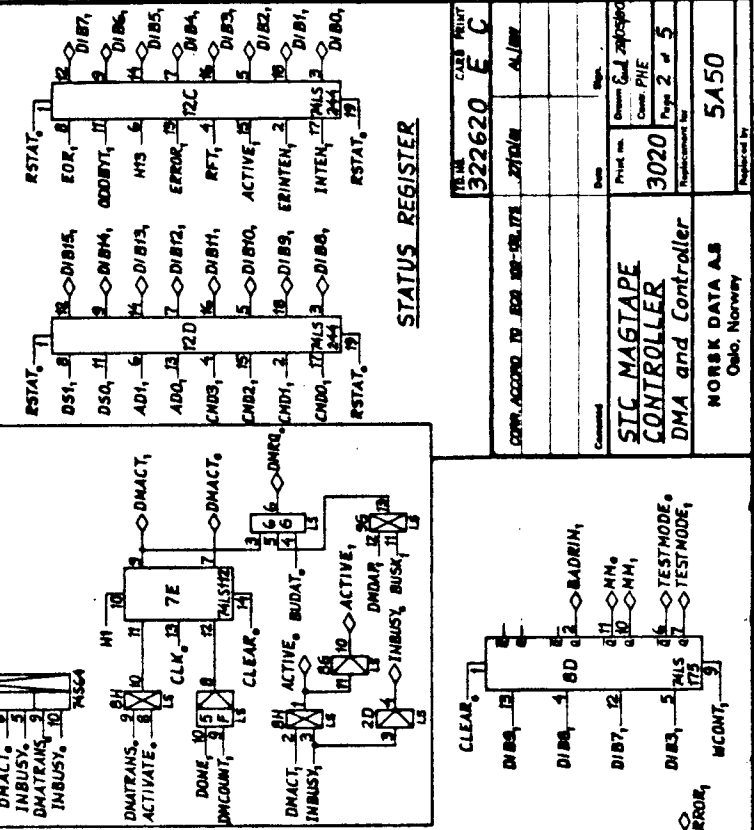
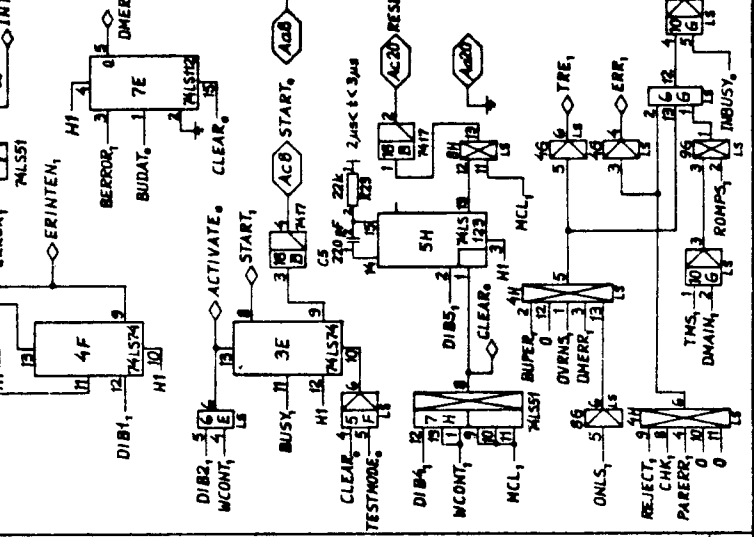
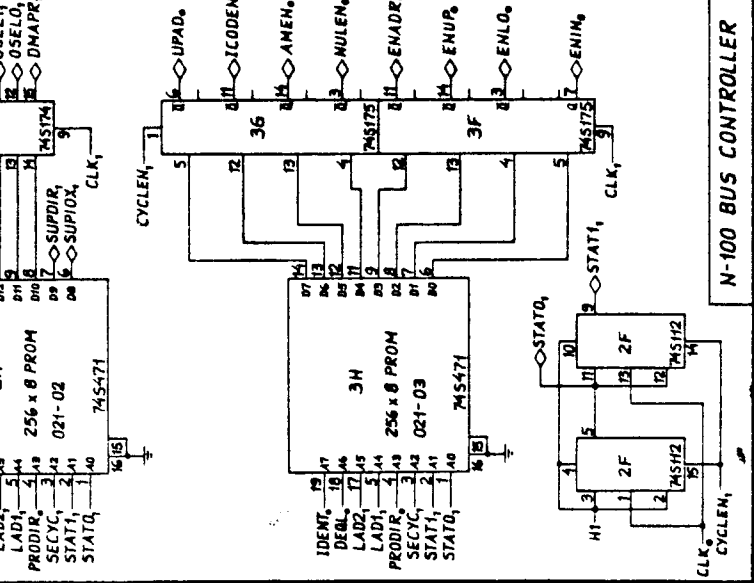
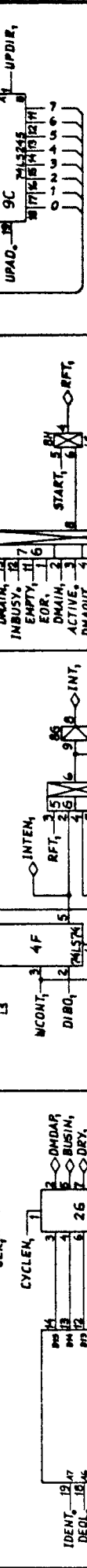
DMA COUNTERS



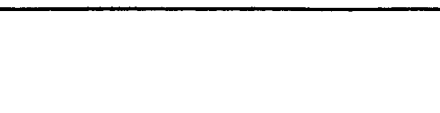
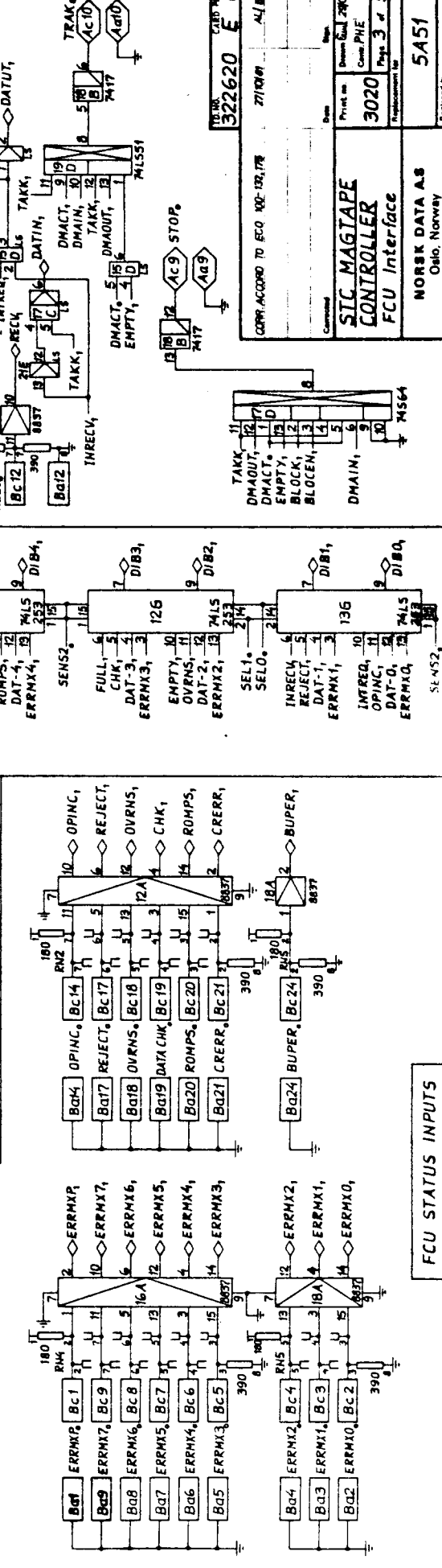
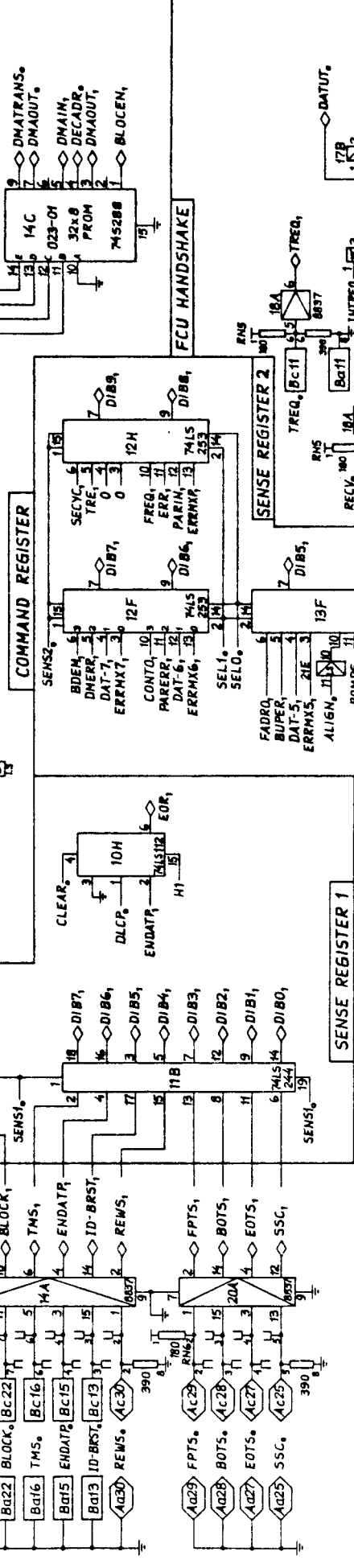
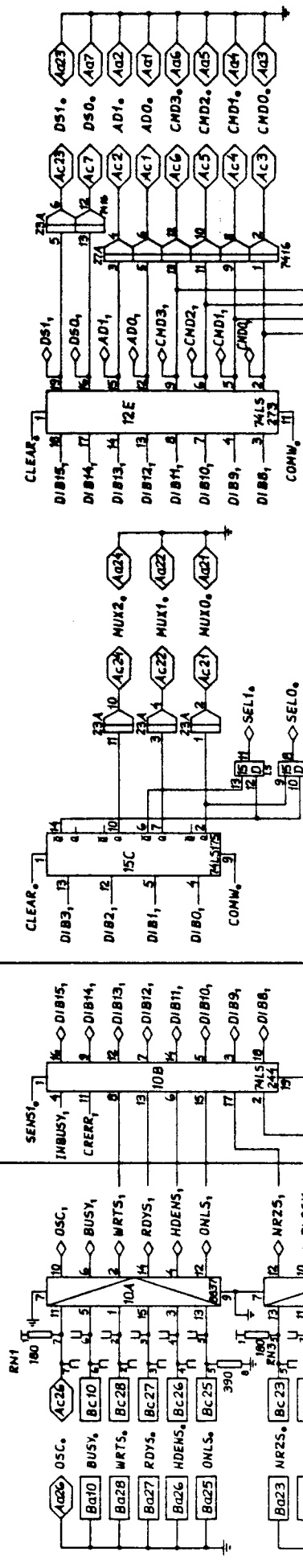
CONTROL REGISTER



STATUS REGISTER



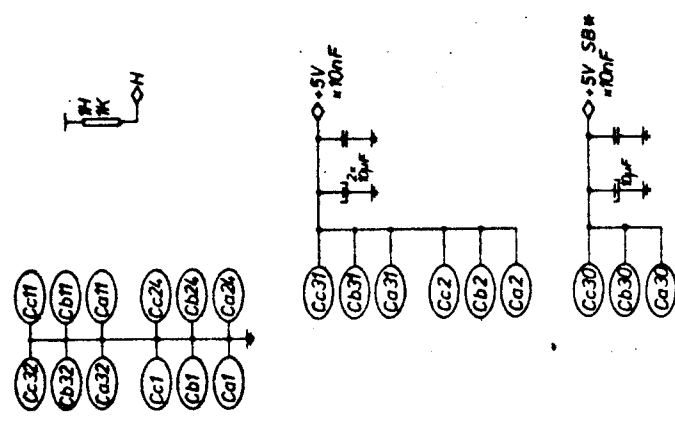
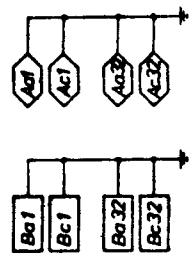
REV	322620	DATE	EC
COMP. ACCORD TO	ECR 100-101/78	APPROV	AL/MB
Comment	SIC MAGTAPE CONTROLLER DMA and Controller		
Print no	3020	Drawn and checked	Page 2 of 5
Revision		Checked PHE	
Approved by	5450		
NORSK DATA AS Oslo, Norway			



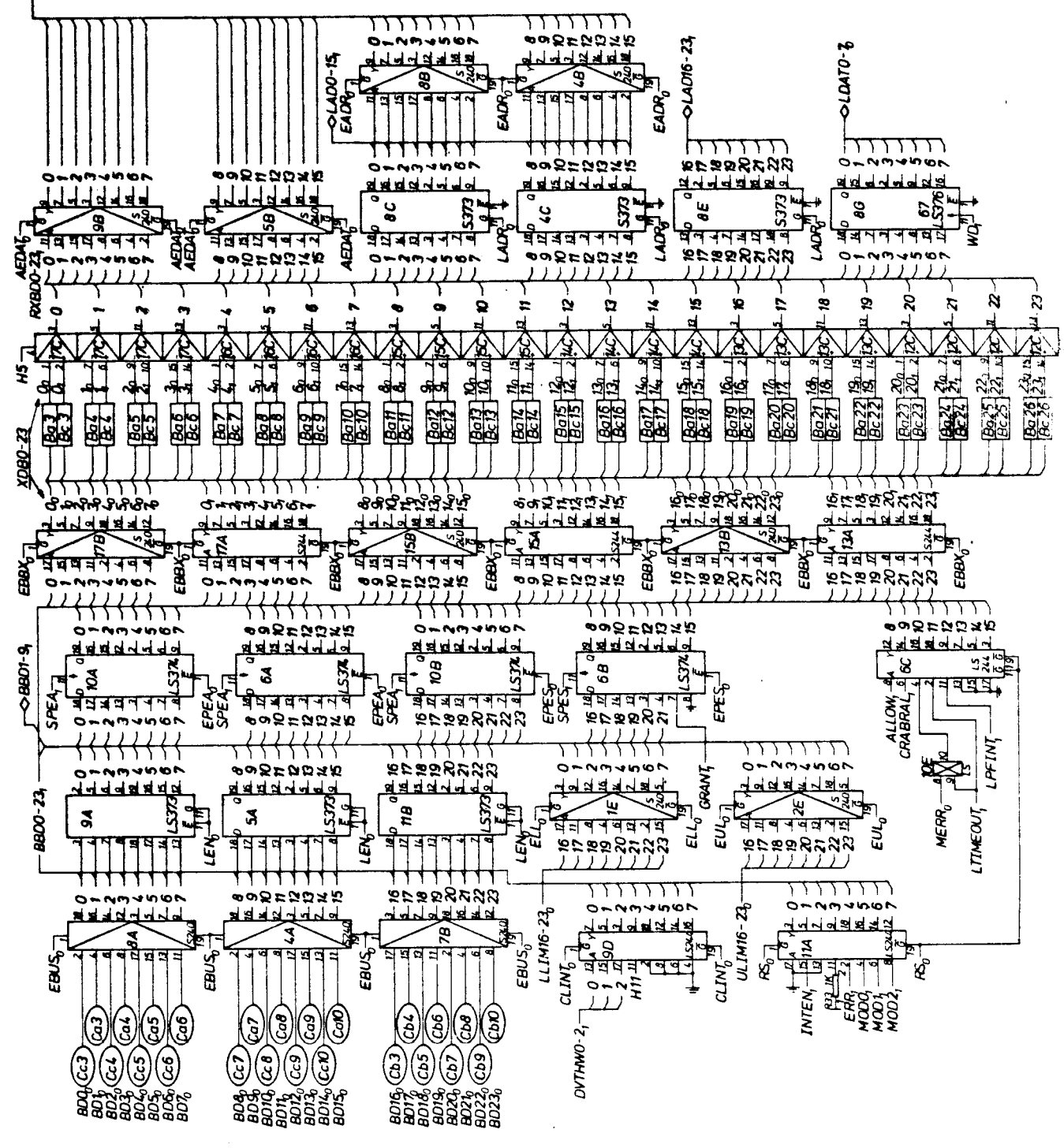
FCU HANDSHAKE

FCU STATUS INPUTS

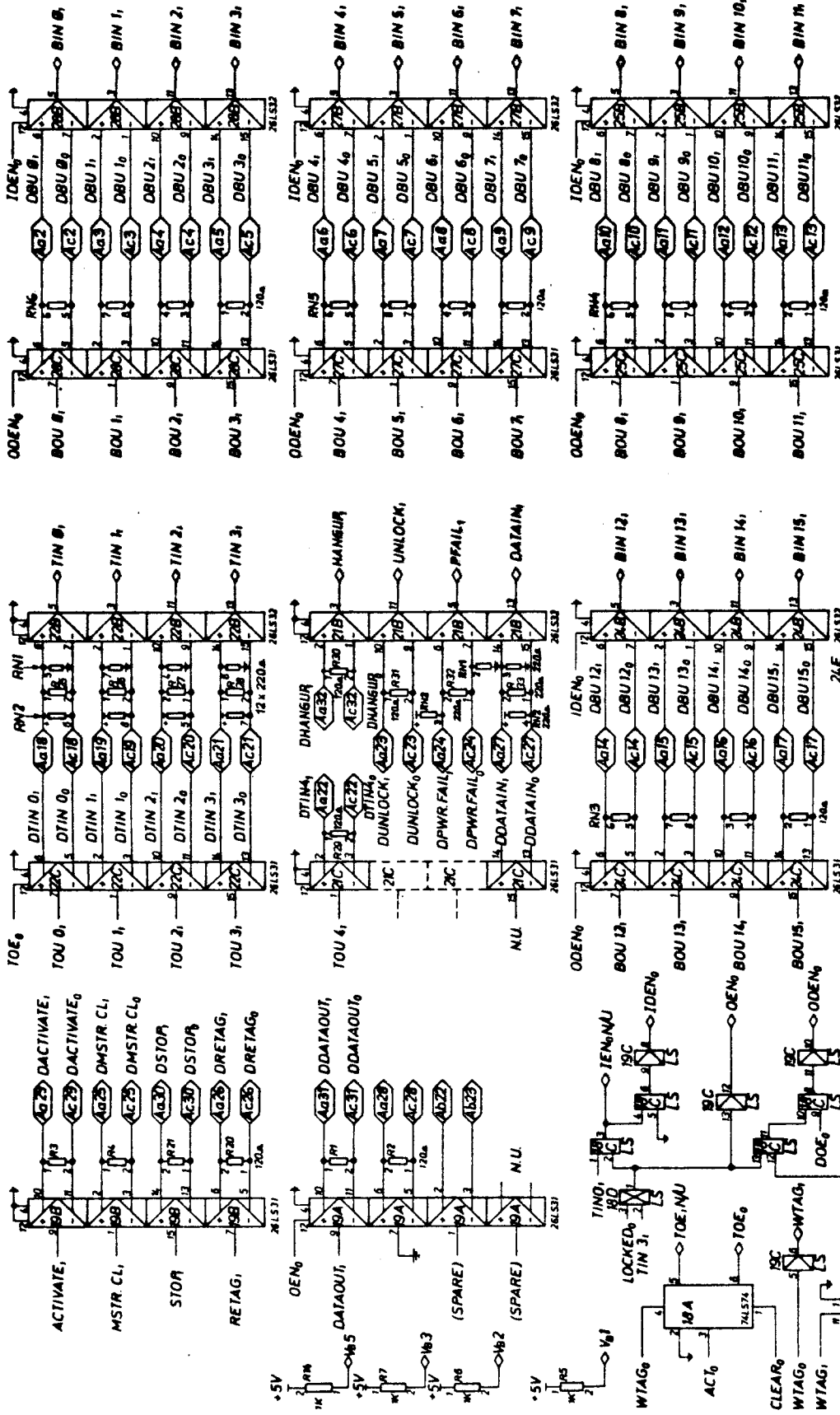
TO INK: 322620 E C
 CORR. ACCORD TO ECU 102-132, 178
 27/10/81
 SIC MAGTAPE CONTROLLER
 FCU Interface
 Norsk Data AS
 Oslo, Norway
 3020
 Page 3 of 5
 5A51



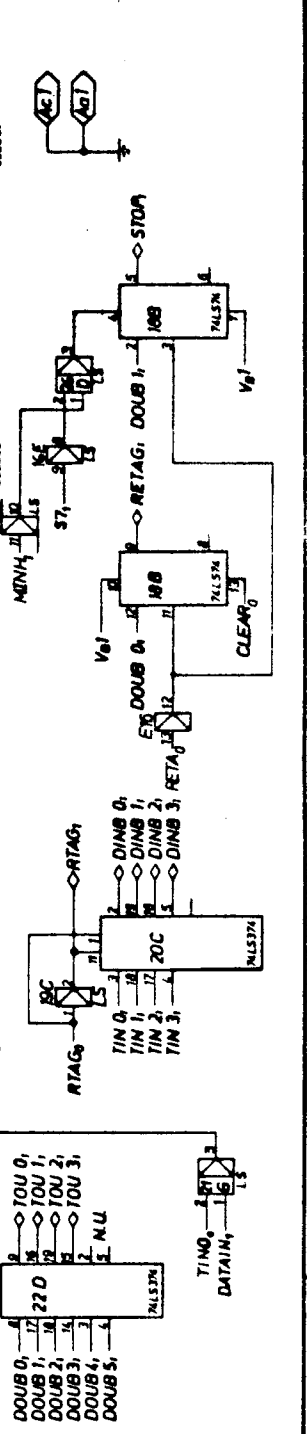
POWER GND CONNECTIONS		TD NO		CAND PRINT	
		322621	E	B	
CORR. ACCORD TO ECO XD-114		1108190	BW		
XD-101, XD-138		240181	BW		
CORR. ACC TO ENR. SPECS. 80-036		101240	BW		
Comment		Date	Rev		
BUS EXPANDER SHEET 1		3021	3021	Page 1 of 6	
MORSK DATA A.S. Oslo, Norway		5A64 Revisjon			

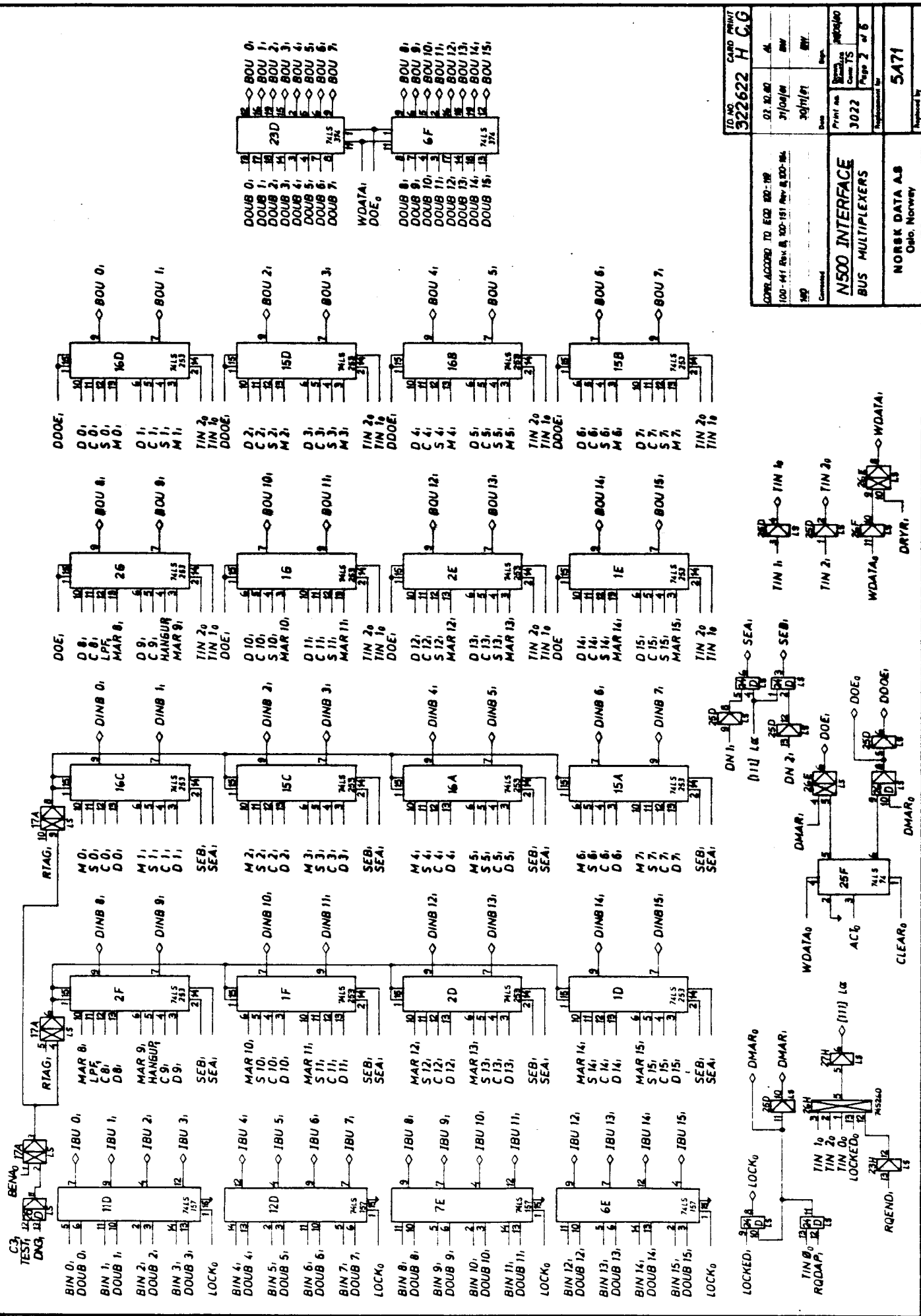


45-11-51-241532 or 053488

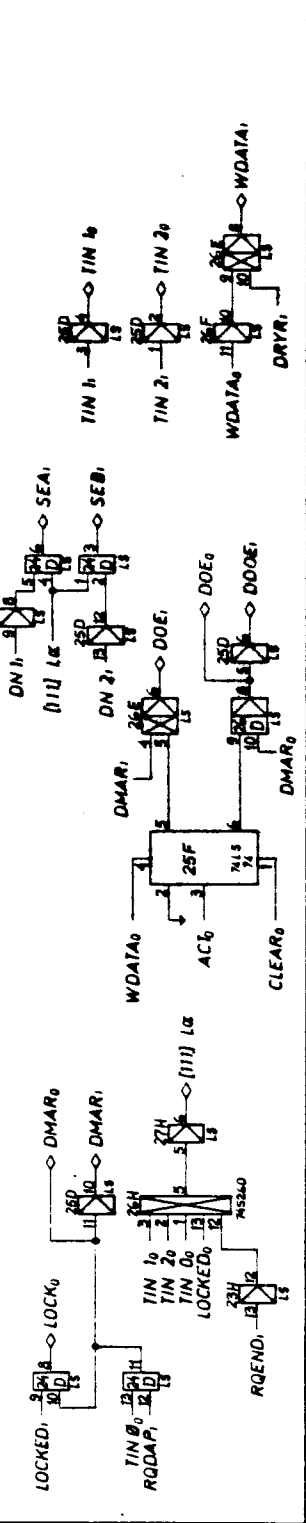


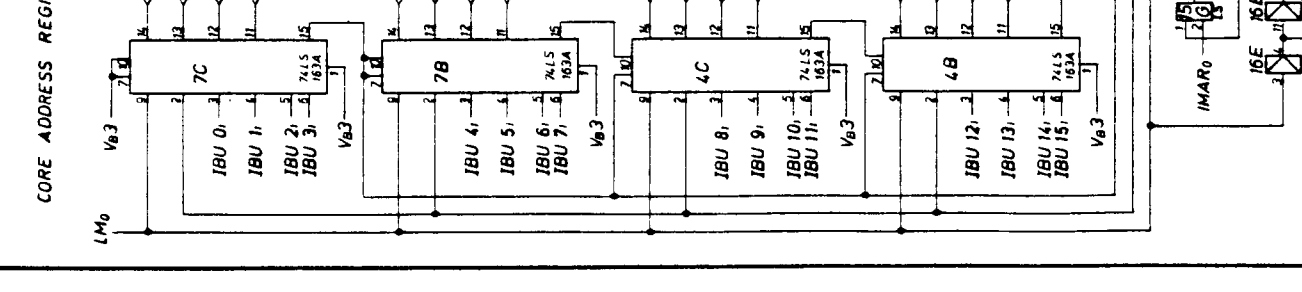
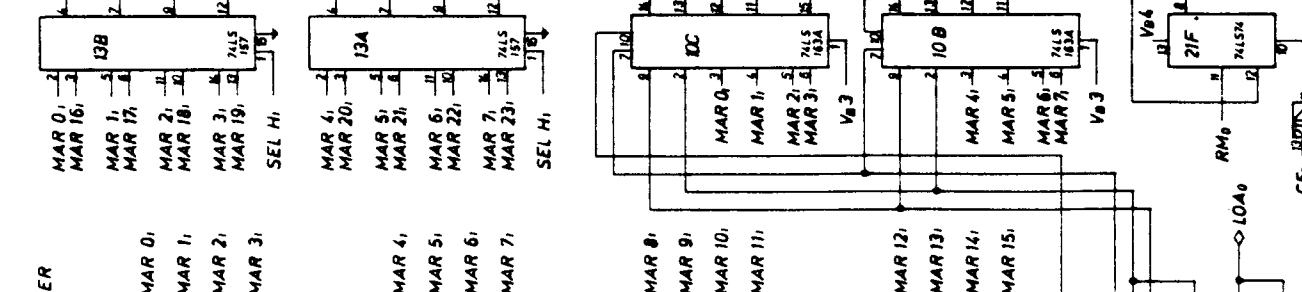
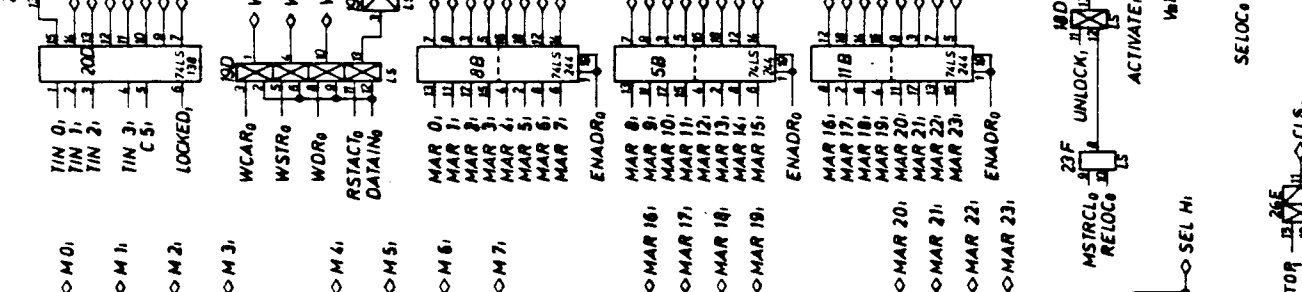
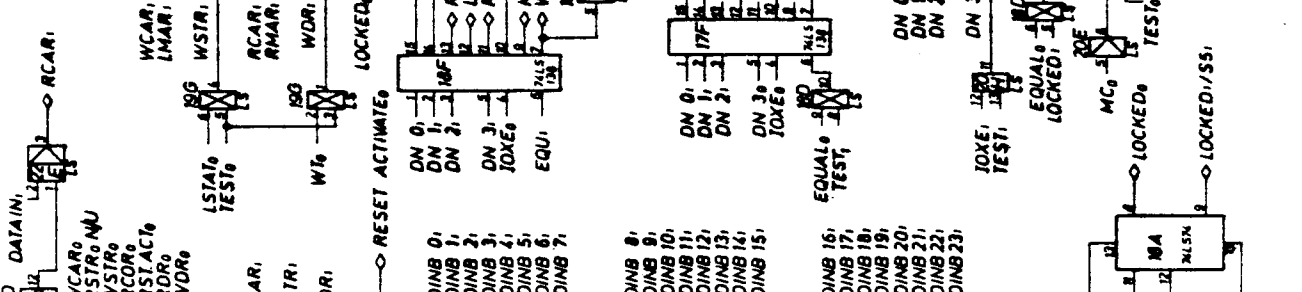
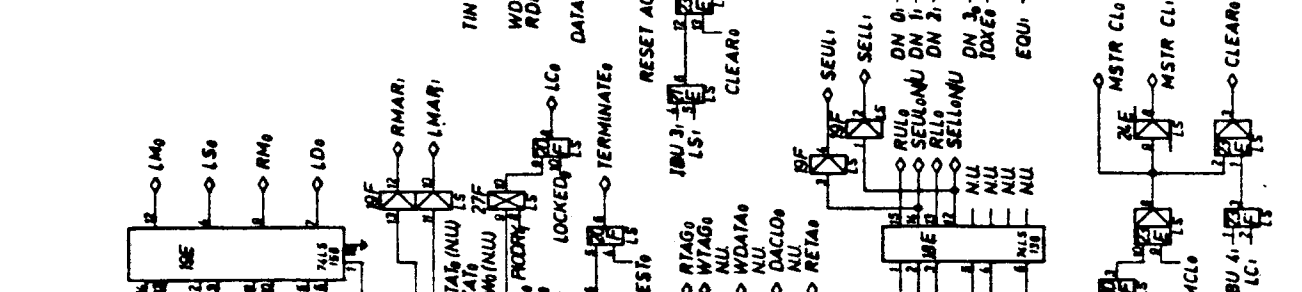
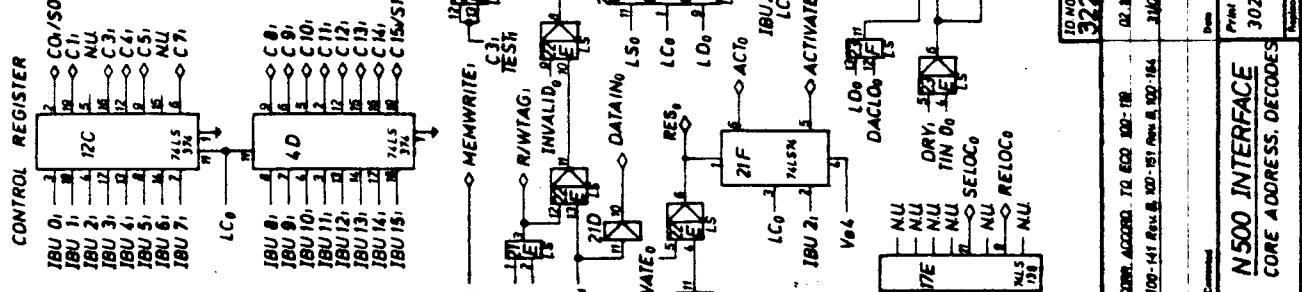
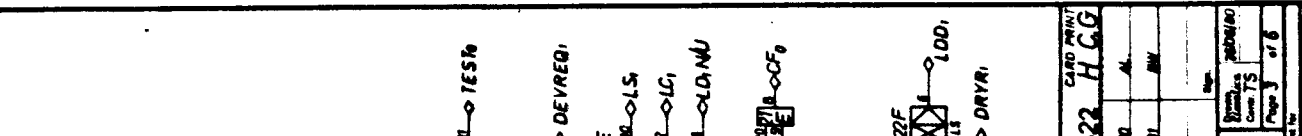
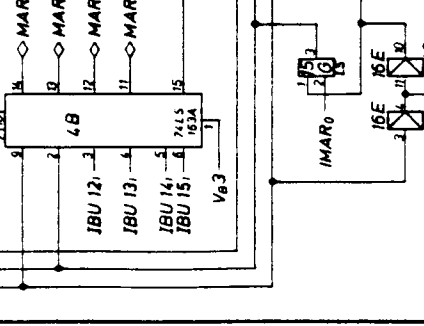
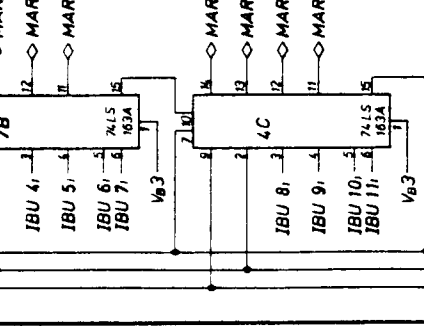
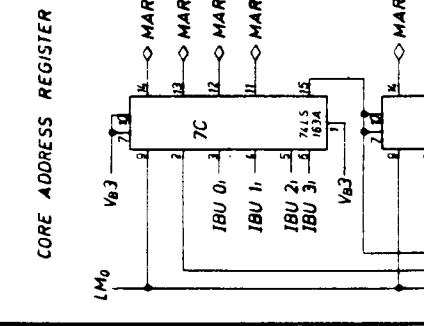
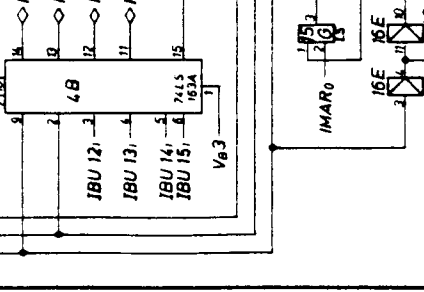
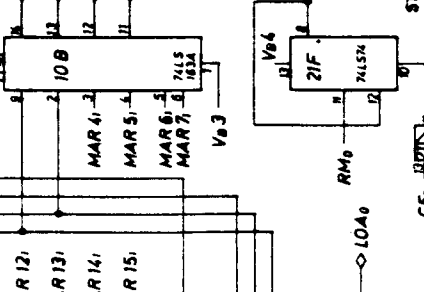
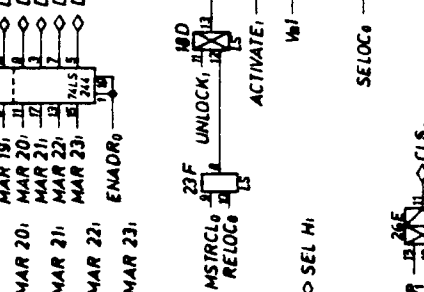
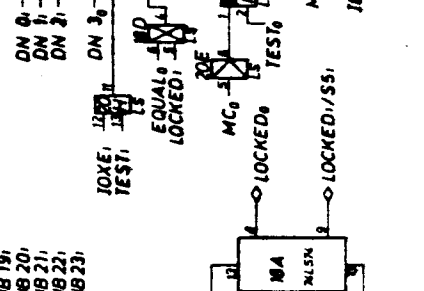
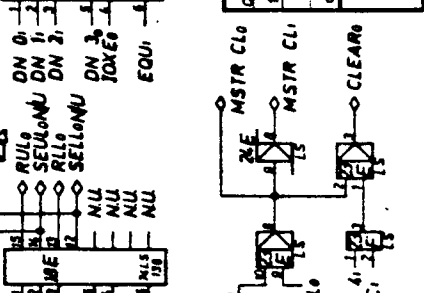
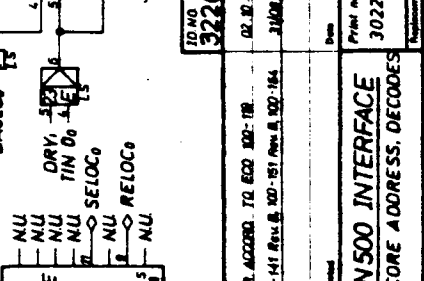
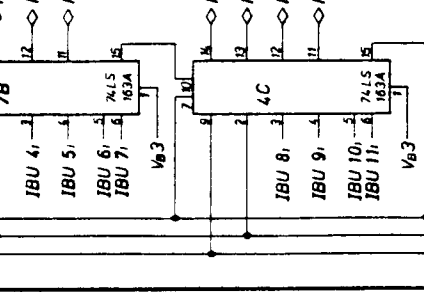
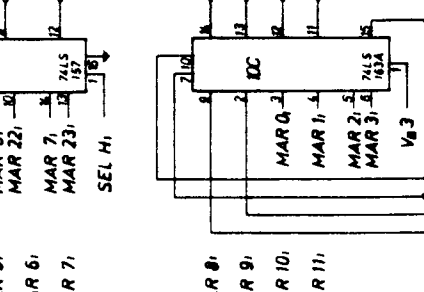
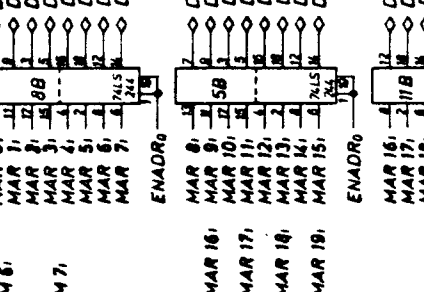
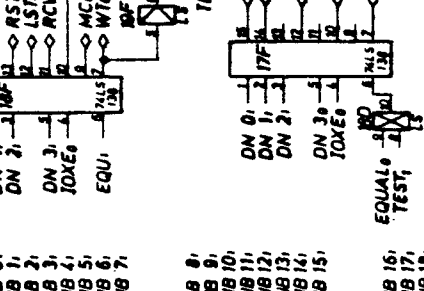
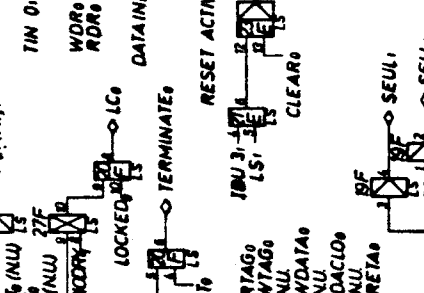
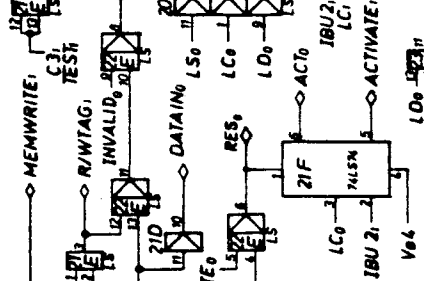
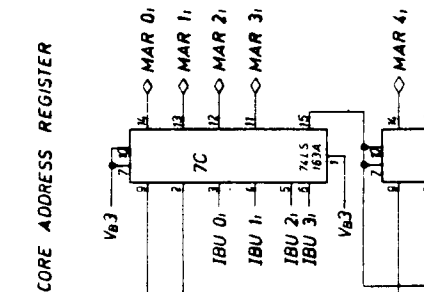
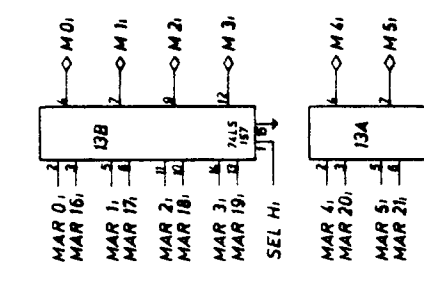
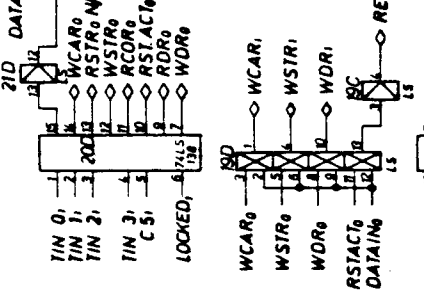
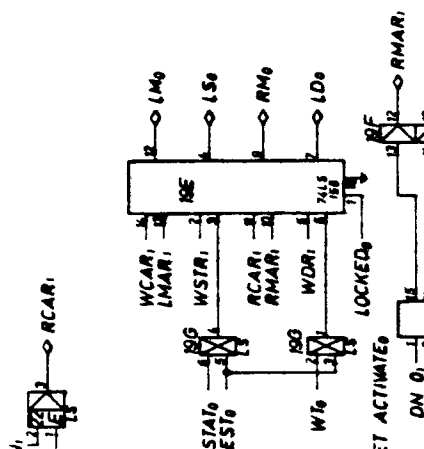
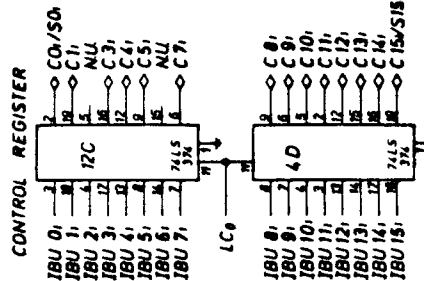
CARD PRINT 322622 J.C.G.	DATE 10/10/77	DESIGNED BY J.C.G.	CHECKED BY J.C.G.
COMMENTS CORRECTED TO REV 100-108 100-141 Rev 0, 107-101 Rev 0, 100-108, 100-103 Rev 0		DRAWN BY J.C.G.	DATE 10/10/77
PROJECT NO. 3022		SHEET NO. 1 of 6	TITLE NS500 INTERFACE TAG BUS TRANSCEIVER
NORISK DATA A/S Oslo, Norway		DRAWING NO. 5A70	





TO NO.	322622	CARD PRINT
DATE	07.10.60	AL
DESIGNED BY	31/06/60	BM
CHECKED BY	30/11/61	BM
PROJECT NO.	J022	NS500
DATE		Page 2 of 6
NS500 INTERFACE		
BUS MULTIPLEXERS		
NORSK DATA A/S Oslo, Norway		
5A71		





322622 HCG

100-141 Rev. B, 100-151 Rev. B, 100-164

Printed on 3022

Page 3 of 8

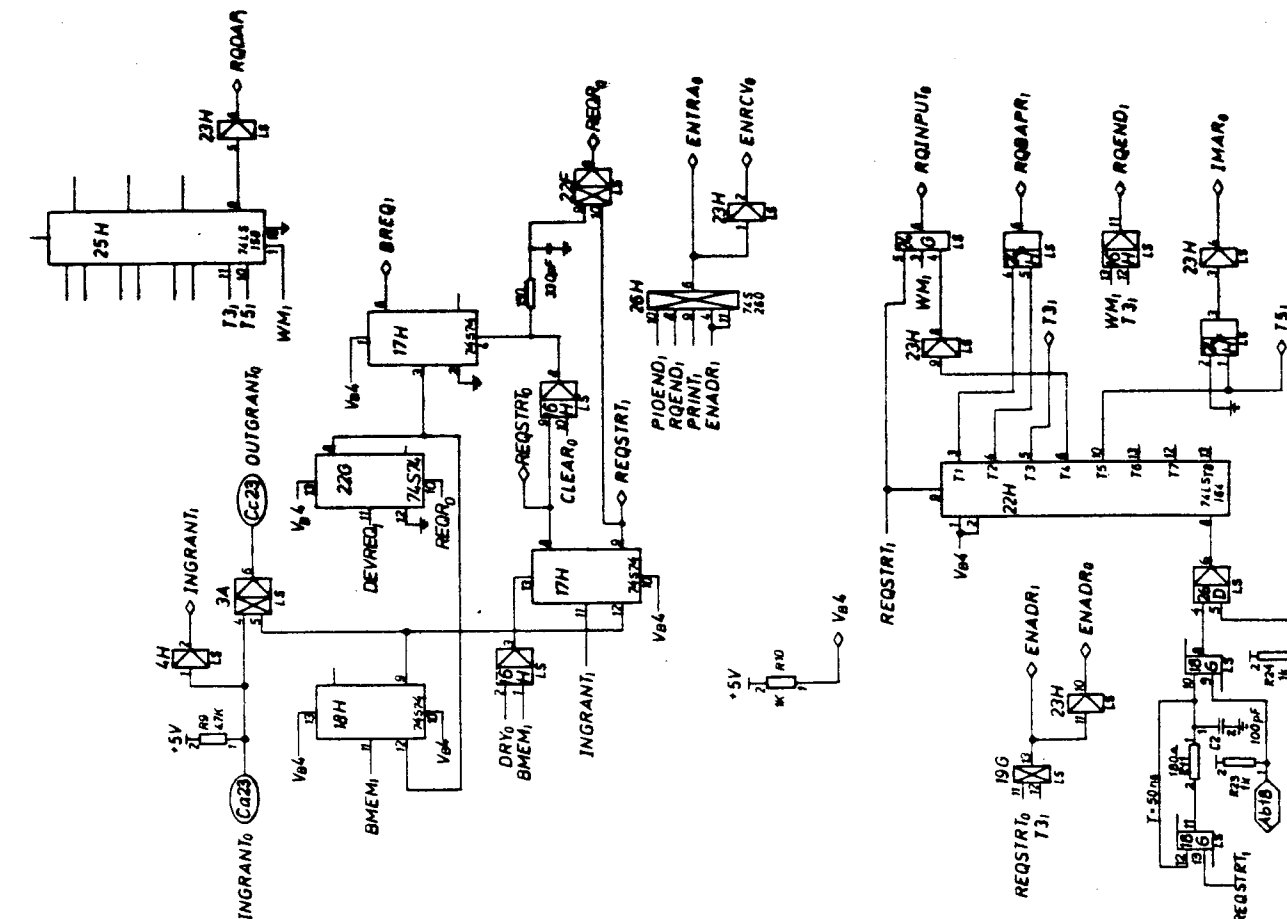
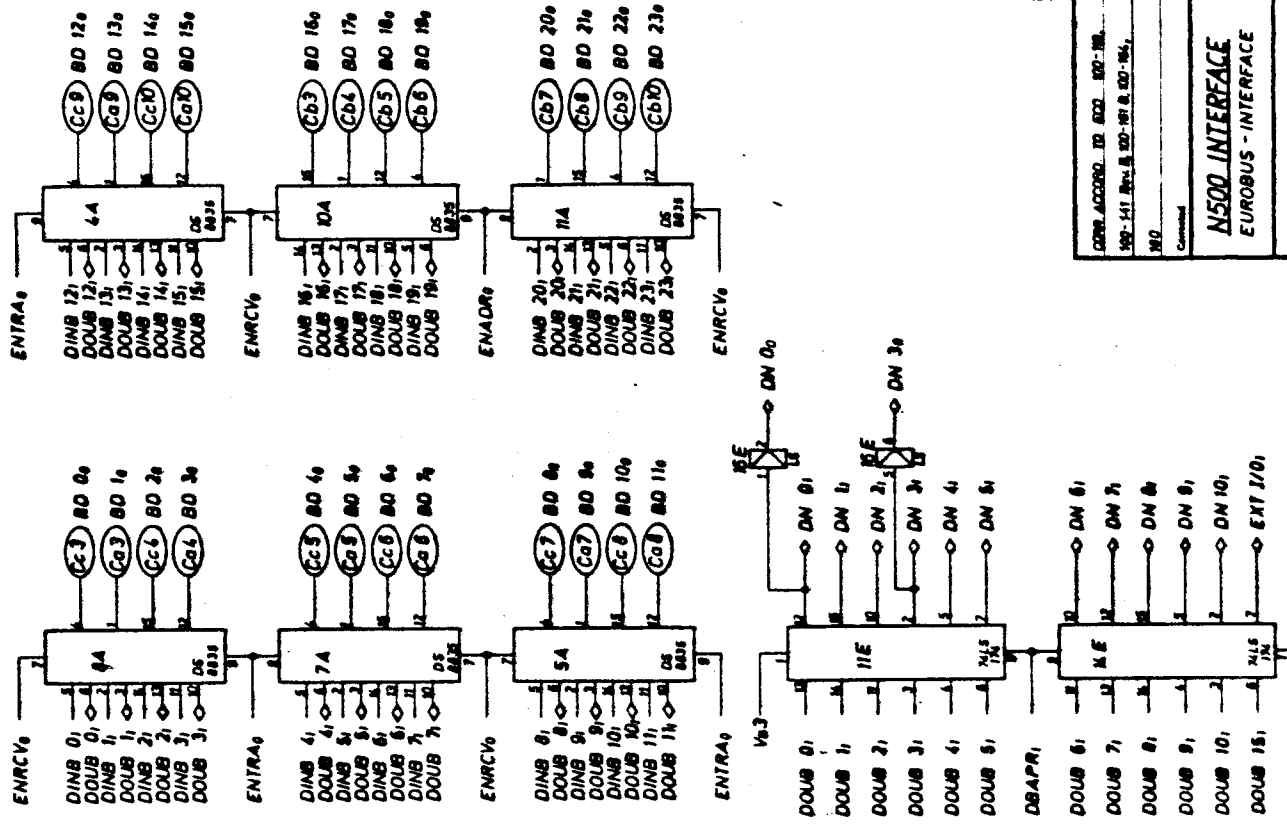
N500 INTERFACE

CORE ADDRESS DECODES

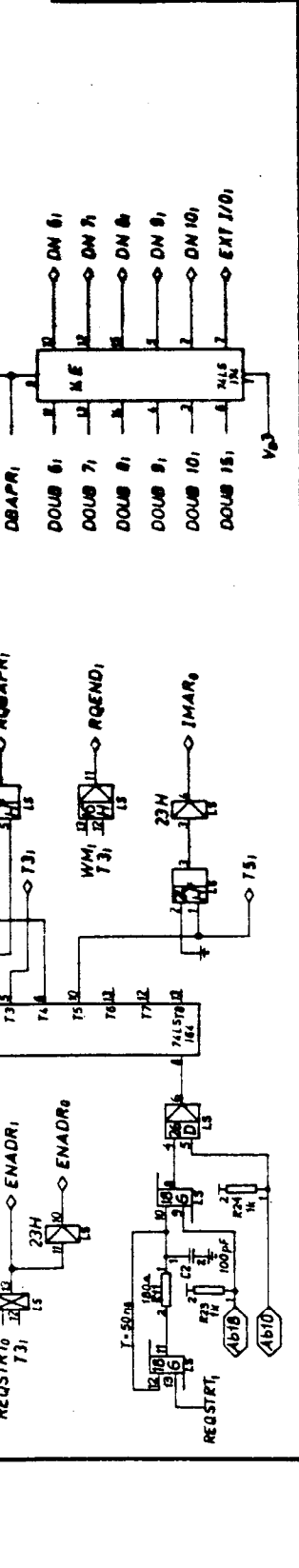
NORISK DATA AS

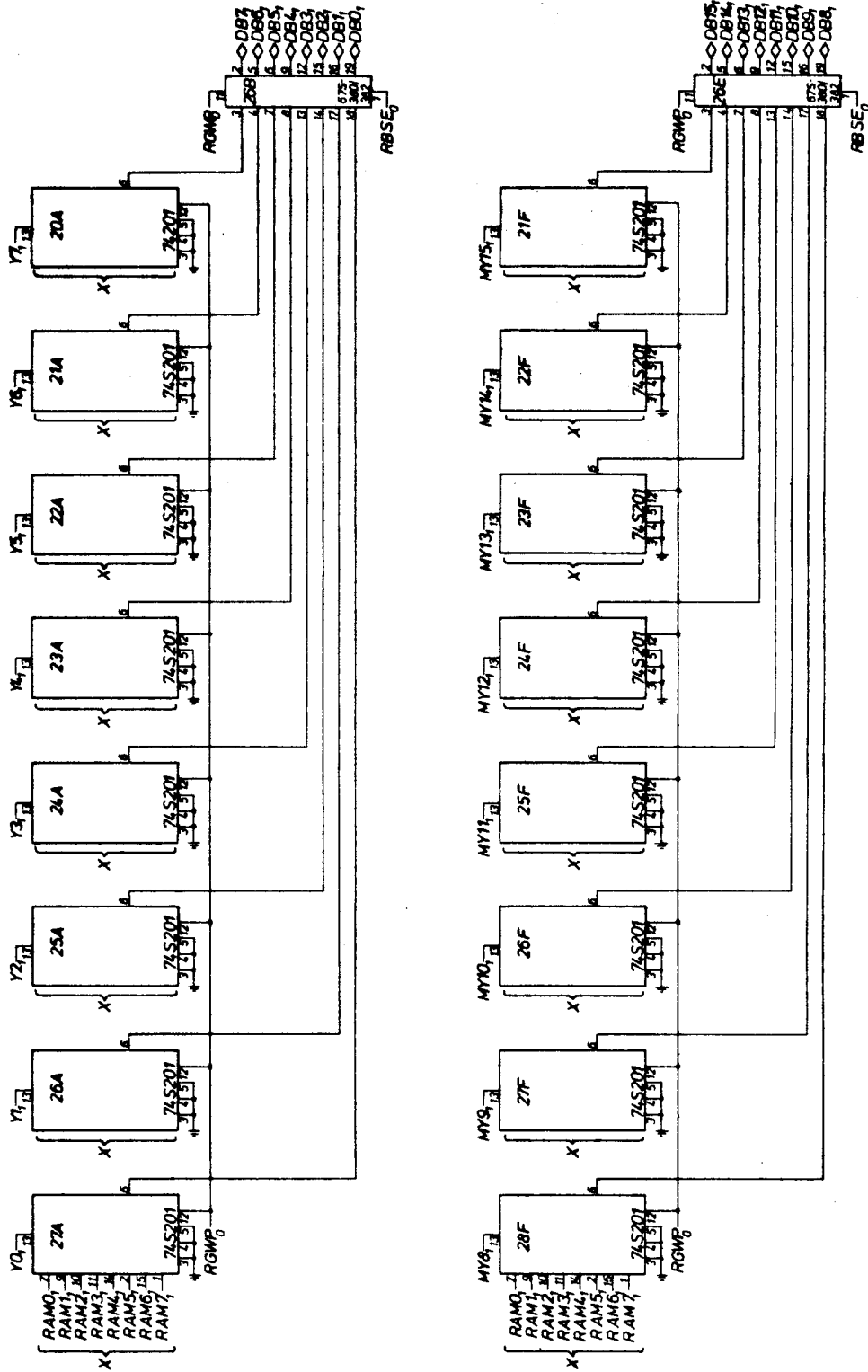
Dibol, Norway

5A72



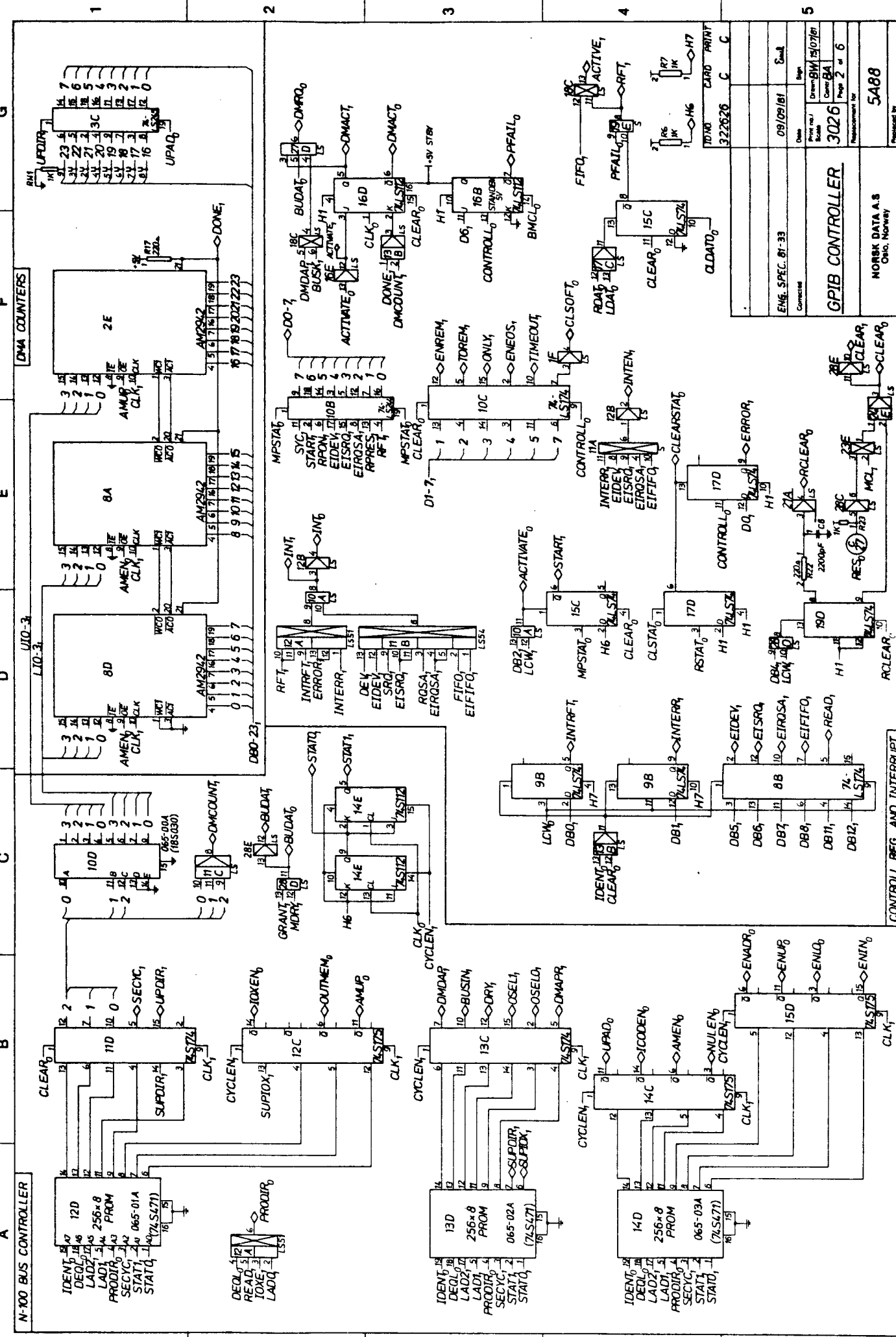
TO NO.	322622	H	C.G.
DATE	02.10.80		
PRINTED	31/03/81		
REV			
NO			
Checked			
Printed	3022		
Page	5		
of	8		
N500 INTERFACE			
EUROBUS - INTERFACE			
NORSK DATA A/S			
Oslo, Norway			
5474			





256 x 16 BIT RAM

NO. 10	C-180	PRINT
322623	D	B, D
CORR. ACCORD TO ECO 100: 148, 197	20.01.82	EW
CORR. ACC. TO ENG. SPEC. NO. 03W	11/12/80	EW
Print no	3023	Drawn: EW/18.08.80
Checked		Comm: PSH
		Page 5 of 6
MEGALINK INTERFACE		5482
NORSK DATA A.S		Oslo, Norway



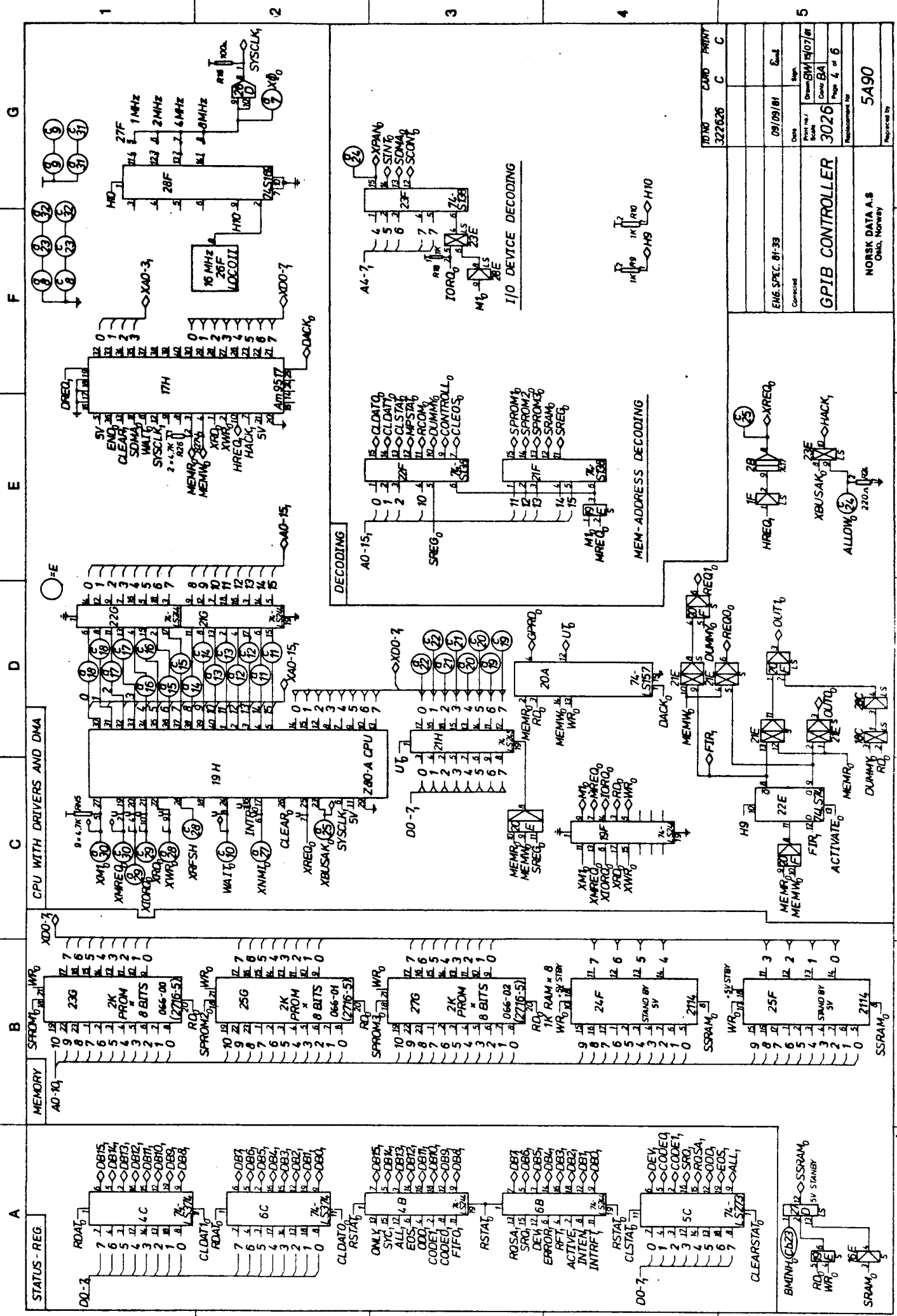
10100	CARD PRINT	C
322626		C
ENG. SPEC. 81-33	Contract	
Date	09/09/81	5488
Printed on	Sheet	
Drawn	BM/15/07/81	
Checked	BA	
Page	2 of 6	
GPIB CONTROLLER		
NORISK DATA A.S Oslo, Norway		

A N-100 BUS CONTROLLER B C D E F G

1 2 3 4 5

A B C D E F G

CONTROL REG. AND INTERRUPT



1
2
3
4
5

A
B
C
D
E

F
G

TO NO	327628	REV	C
ENG SPEC	81-39	Date	09/09/81
Contract		Part No./Scale	3026
		Drawn/Checked	RM/RJ/BR
		Drawn/Checked	BAI
		Page	4 of 6
		Replacement for	5A90
		Approved by	
			NORSK DATA A.S Oslo, Norway

GPIB CONTROLLER

5A90

NORSK DATA A.S
Oslo, Norway

Approved by

09/09/81

3026

RM/RJ/BR

BAI

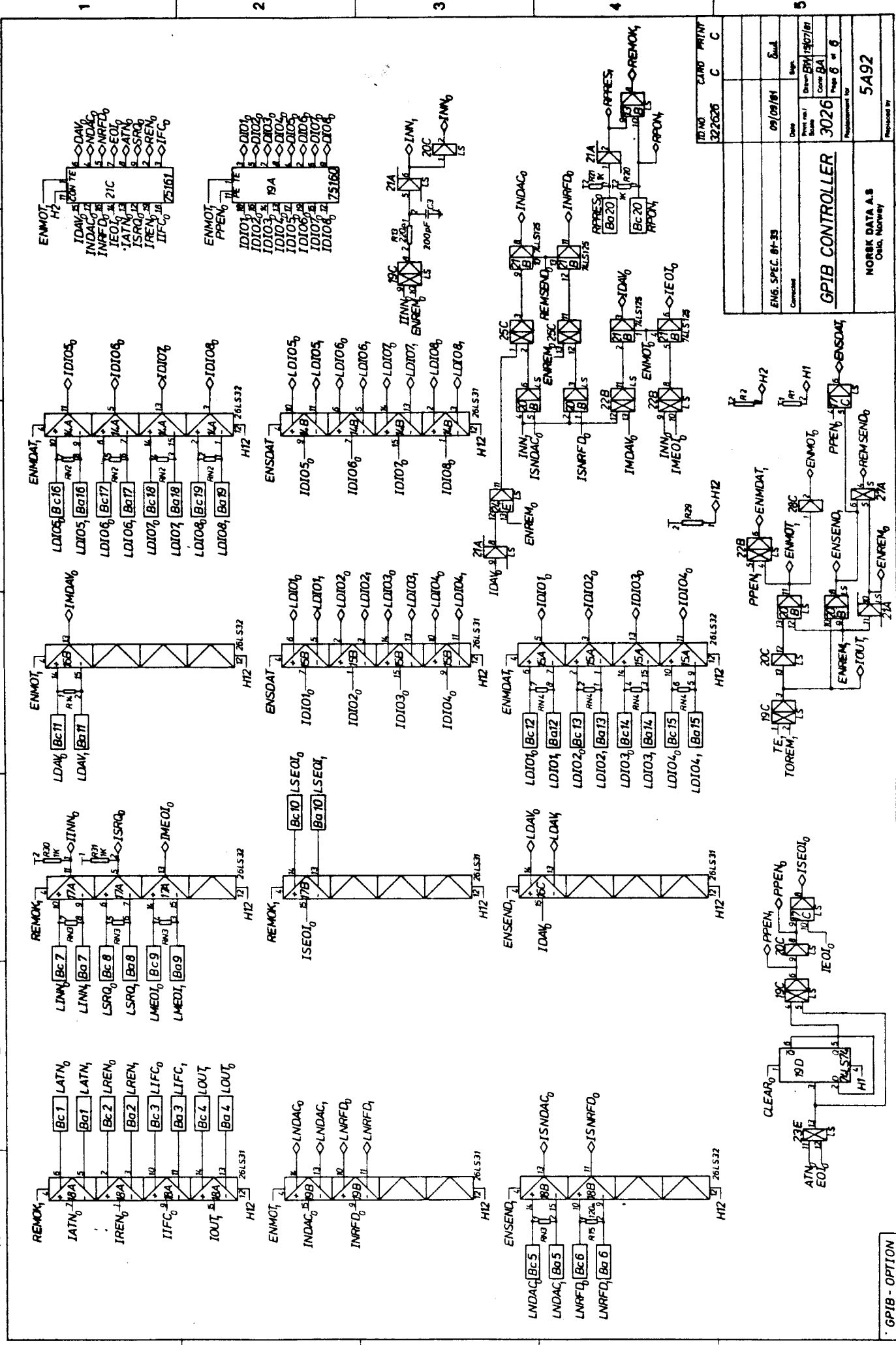
4 of 6

5A90

NORSK DATA A.S
Oslo, Norway

Approved by

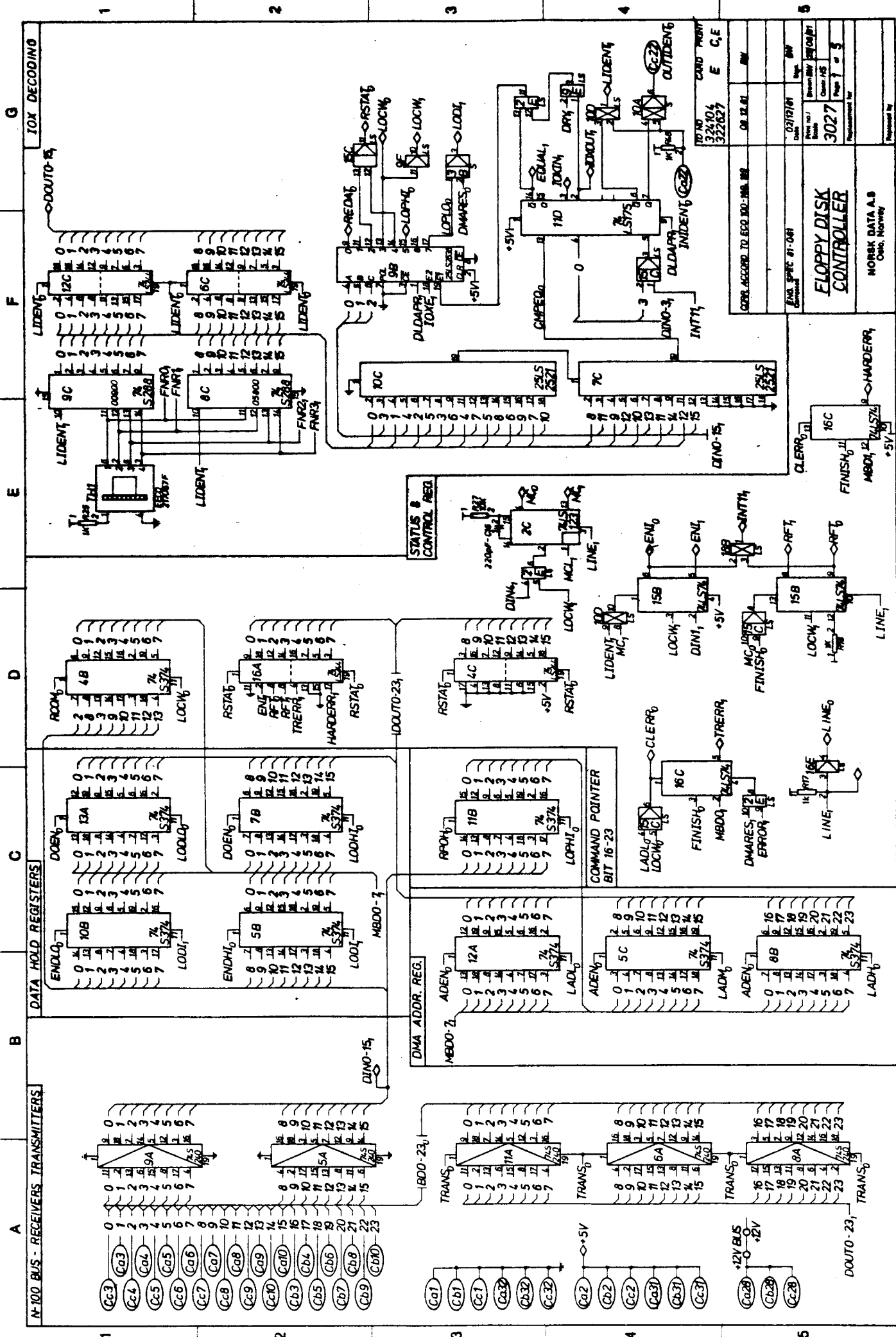
A B C D E F G



TD NO	327026	CARD	PRINT
ENG. SPEC. #	81-33	Date	09/09/81
Drawn	W. J. B. / B. J. B.	Checked	W. J. B. / B. J. B.
Sheet	3026	Page	6 of 6
GPIB CONTROLLER			
NORISK DATA A.S. Oslo, Norway			
Prepared by 5A92			

A B C D E F G

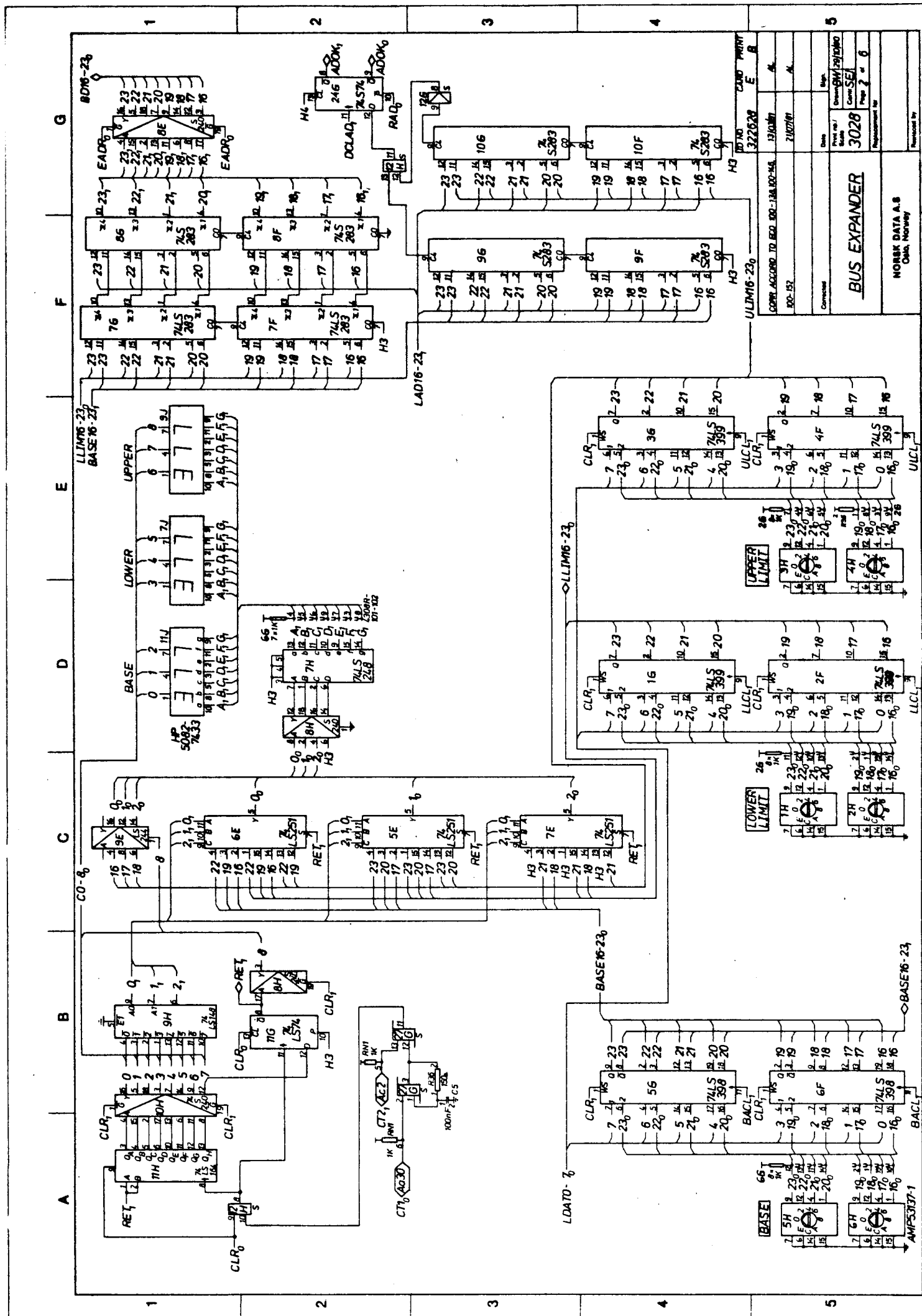
GPIB - OPTION



TO NO	32204	DATE	02/17/81
REV	322027	OR. BY	ML
DATE		BY	
DESIGNED BY		CHECKED BY	
DATE		DATE	
3027		3027	
Page 1		Page 1	
Sheet 15		Sheet 15	
3027		3027	
3027		3027	

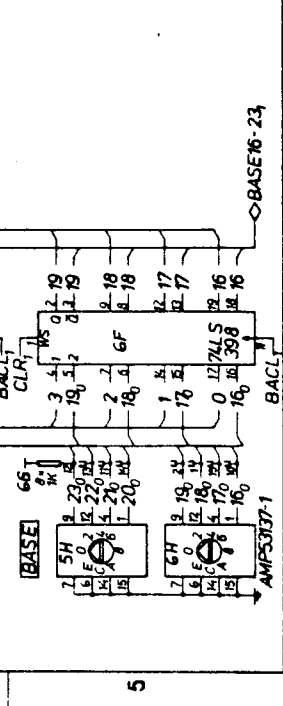
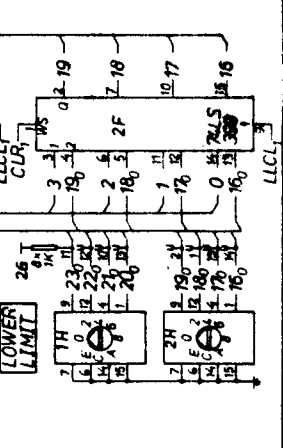
CORR. ACCORD TO ESD INC. MAIL
 ESD SPEC 81-001
FLOPPY DISK CONTROLLER
 NORISK DATA A.B
 Oslo, Norway

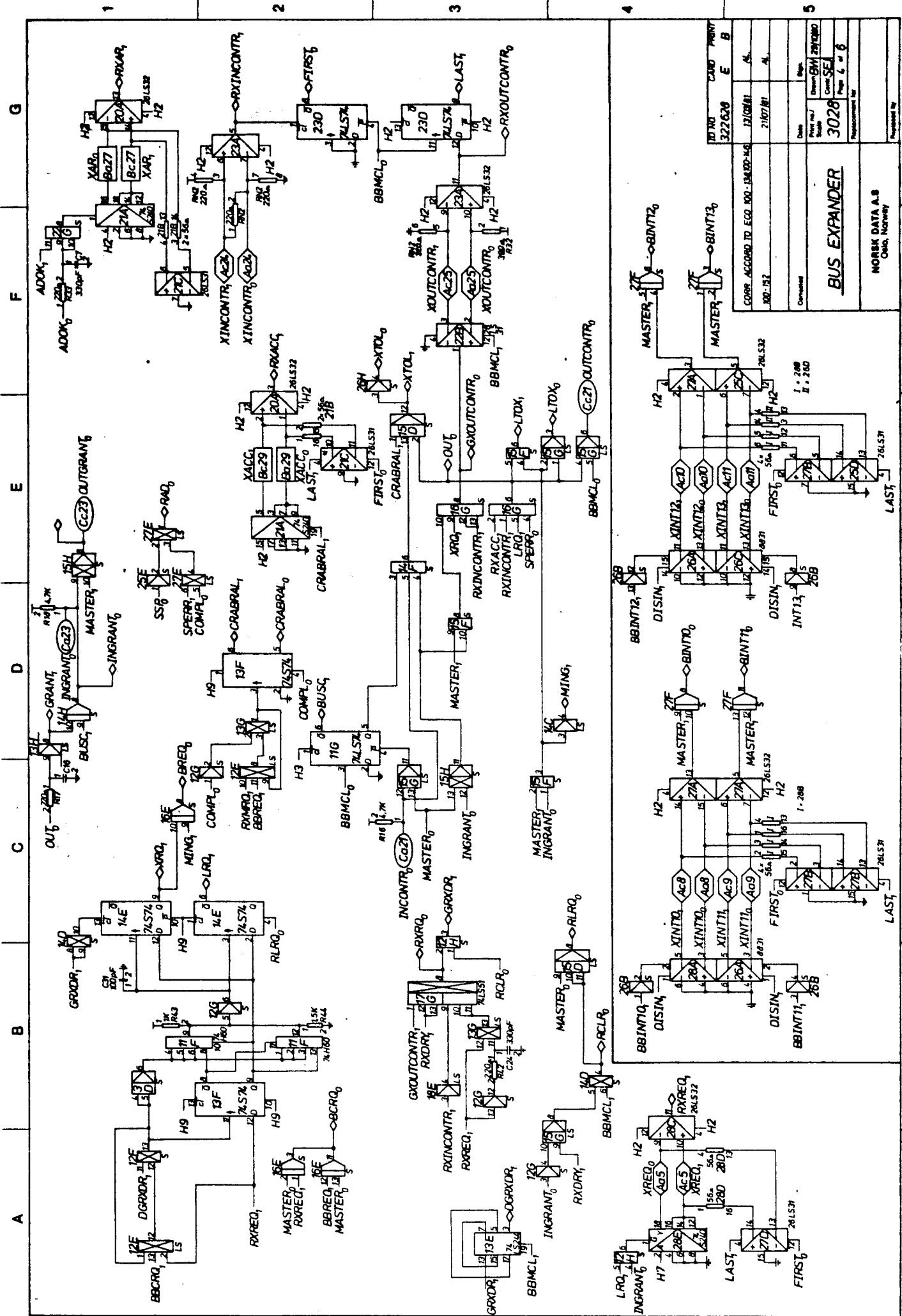
1	2	3	4	5
0	0	0	0	0
1	1	1	1	1
2	2	2	2	2
3	3	3	3	3
4	4	4	4	4
5	5	5	5	5
6	6	6	6	6
7	7	7	7	7
8	8	8	8	8
9	9	9	9	9
10	10	10	10	10
11	11	11	11	11
12	12	12	12	12
13	13	13	13	13
14	14	14	14	14
15	15	15	15	15
16	16	16	16	16
17	17	17	17	17
18	18	18	18	18
19	19	19	19	19
20	20	20	20	20
21	21	21	21	21
22	22	22	22	22
23	23	23	23	23



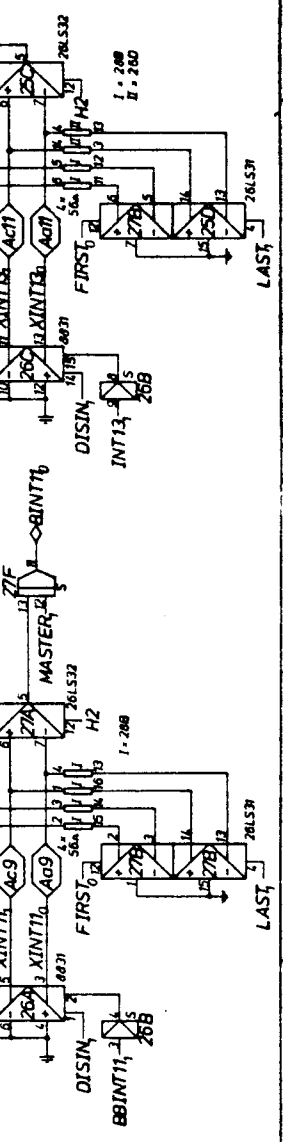
Part no.	3028
Rev.	1
Drawn by	GMV/29/CMO
Checked by	SEA
Date	
Project no.	
Page	2 of 6
Prepared by	
Approved by	

ULTIM6-230
 322628
 13103M
 210701
 3028
 NORISK DATA A.8
 Oslo, Norway



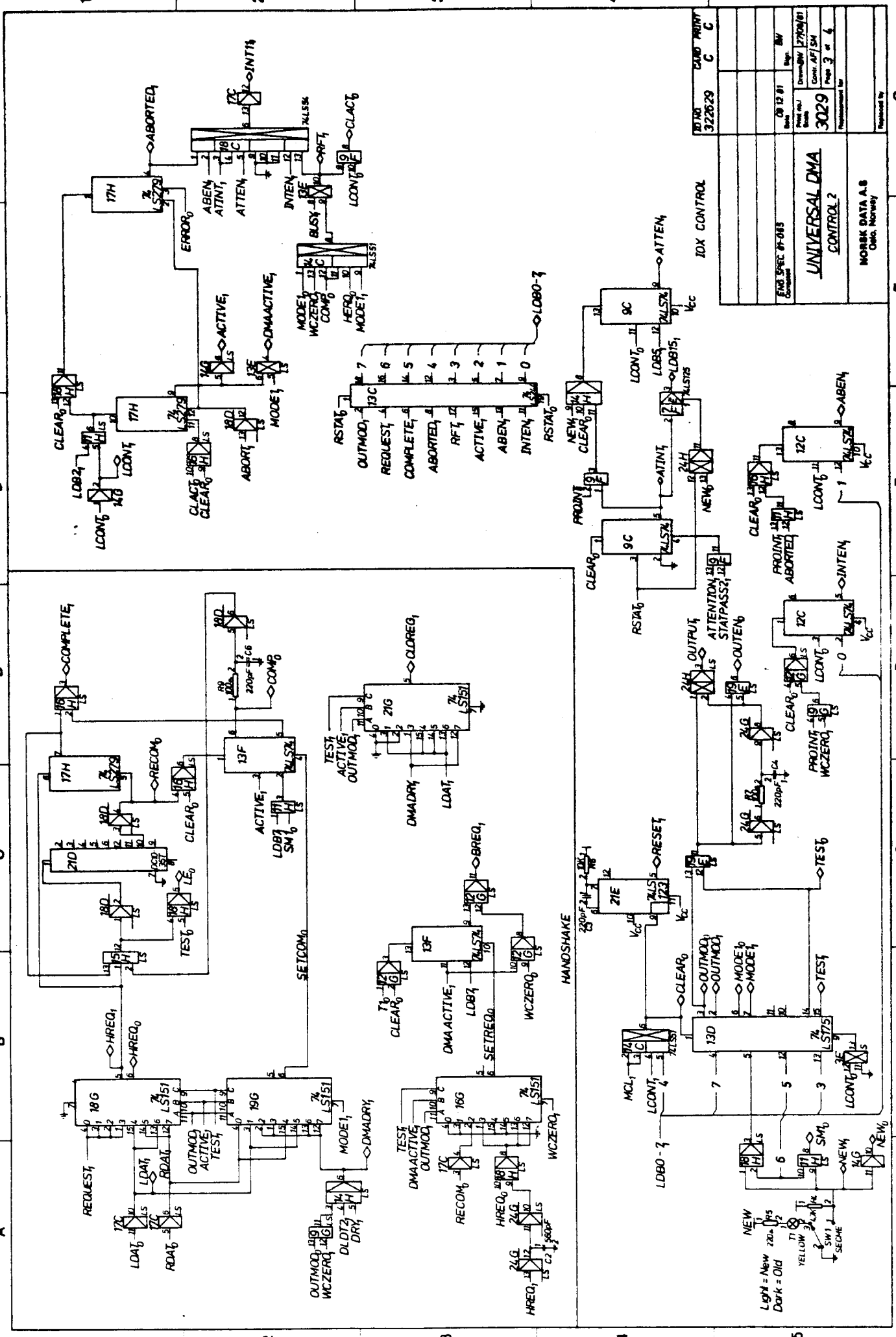


REV NO	222030	DATE	12/01/81
APP'D		DESIGN	2107/81
BUS EXPANDER			
NORISK DATA A.8 Osaka, Norway			
COMP	ACCORD TO ECO NO. 18M00-48	DATE	12/01/81
REV	100-152	DESIGN	2107/81
3028			
Page 4 of 6			



REV NO	222030	DATE	12/01/81
APP'D		DESIGN	2107/81
BUS EXPANDER			
NORISK DATA A.8 Osaka, Norway			
COMP	ACCORD TO ECO NO. 18M00-48	DATE	12/01/81
REV	100-152	DESIGN	2107/81
3028			
Page 4 of 6			

A B C D E F G

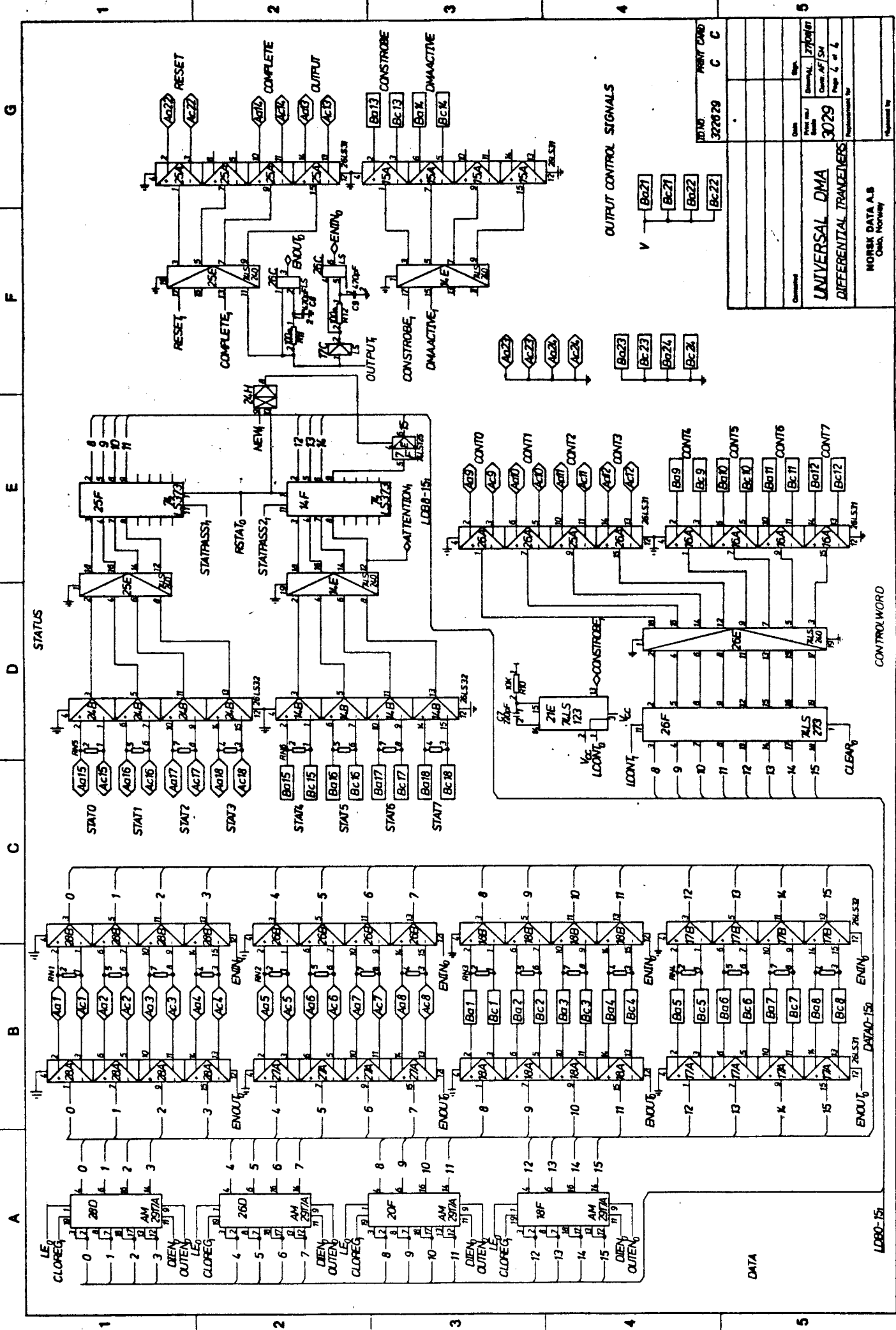


REV	322629	DATE	08/19/81
BY		CHKD	
DESIGNED BY		DATE	
DRAWN BY		DATE	
CHECKED BY		DATE	
APPROVED BY		DATE	
UNIVERSAL DMA CONTROL ?			
WORK DATA A,B Oth. Norway			

NO	322629	DATE	08/19/81
BY		CHKD	
DESIGNED BY		DATE	
DRAWN BY		DATE	
CHECKED BY		DATE	
APPROVED BY		DATE	
UNIVERSAL DMA CONTROL ?			
WORK DATA A,B Oth. Norway			

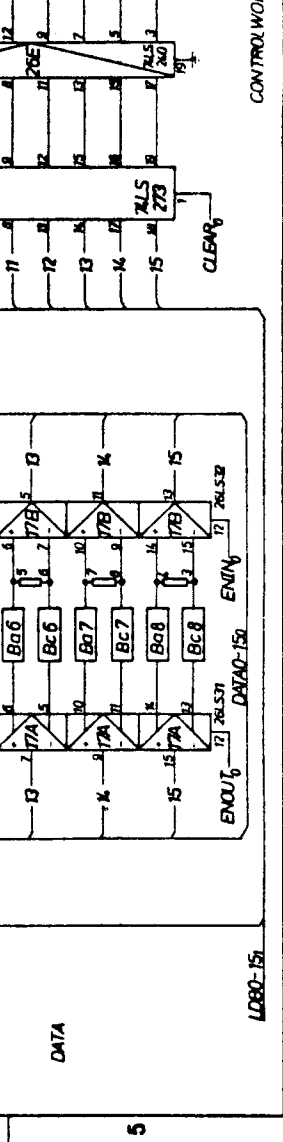
NEW
Light = New
Dark = Old

YELLOW SW1, 2
SW1, 1
SECURE

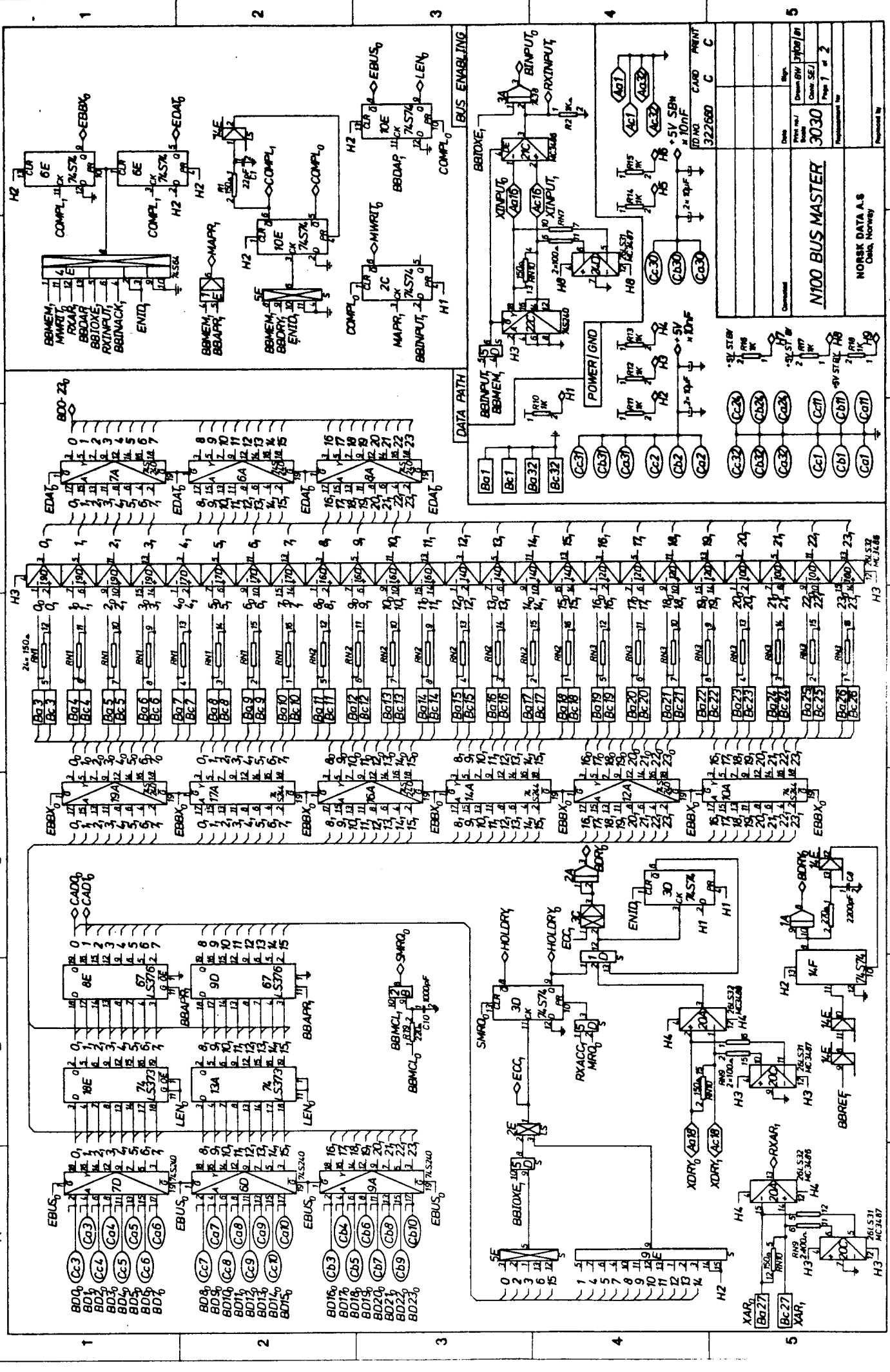


NO. 322829	REV. C
UNIVERSAL DMA	
DIFFERENTIAL TRANSMISSIONS	
DATE	3/7/68
DESIGNED BY	DAVID AF/SAL
CHECKED BY	DAVID AF/SAL
APPROVED BY	DAVID AF/SAL
PAGE	6 OF 4

NORSK DATA A.S.
Oslo, Norway

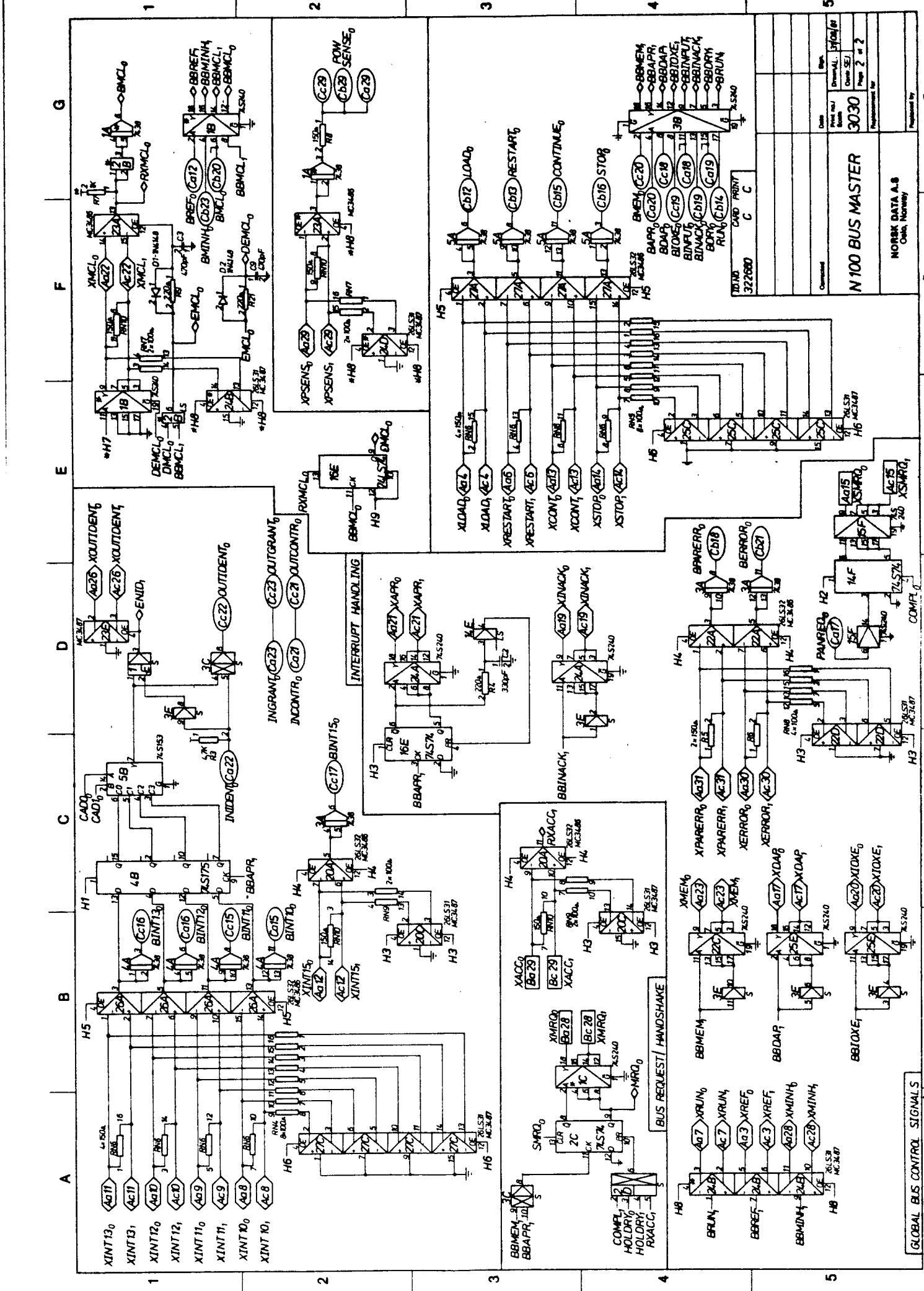


A B C D E F G



Date	1987
Print no./	30330
Drawn by/	Page 1 of 2
Checked by/	
Project name	N100 BUS MASTER
Prepared by	NORSK DATA A.S. Oslo, Norway

1 2 3 4 5



A B C D E F G

1 2 3 4 5

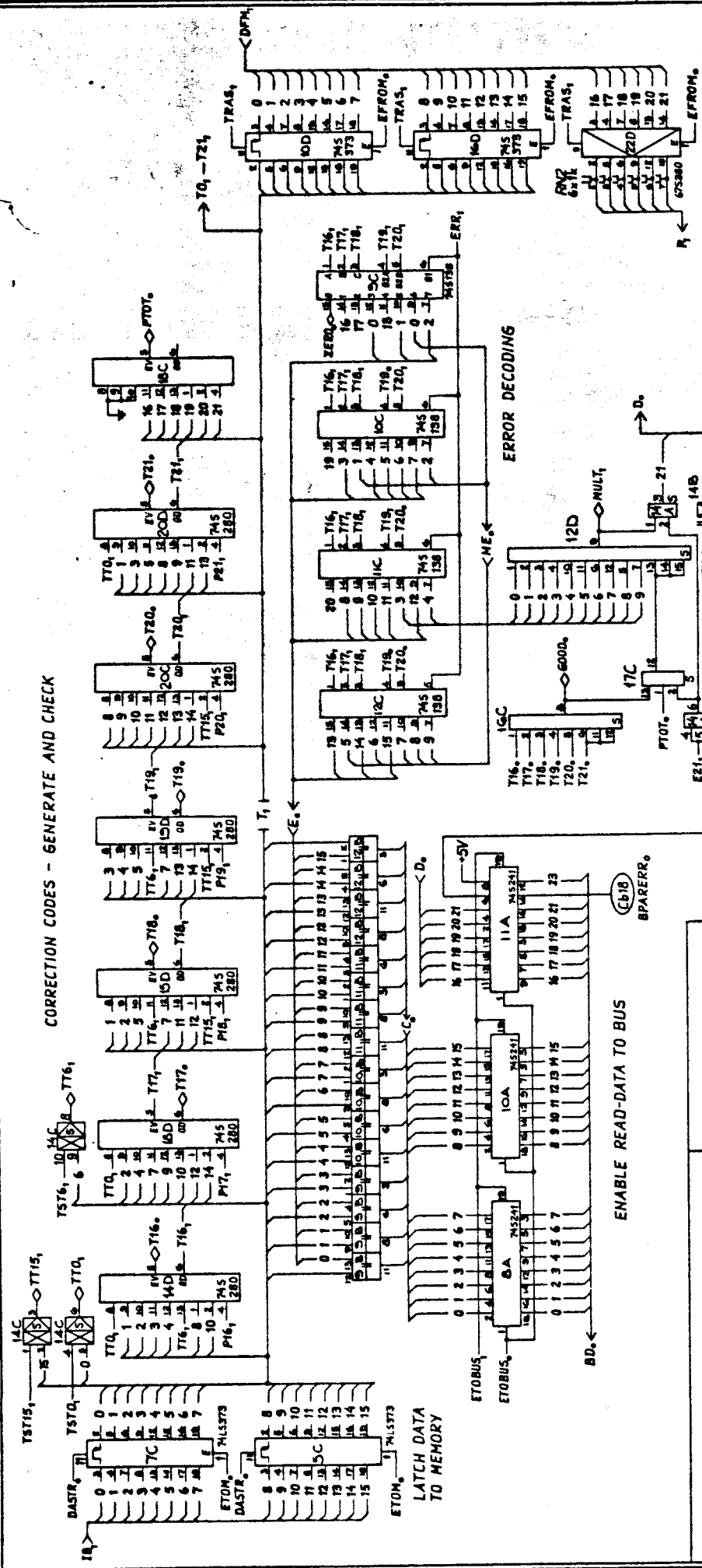
A B C D E F G

1 2 3 4 5

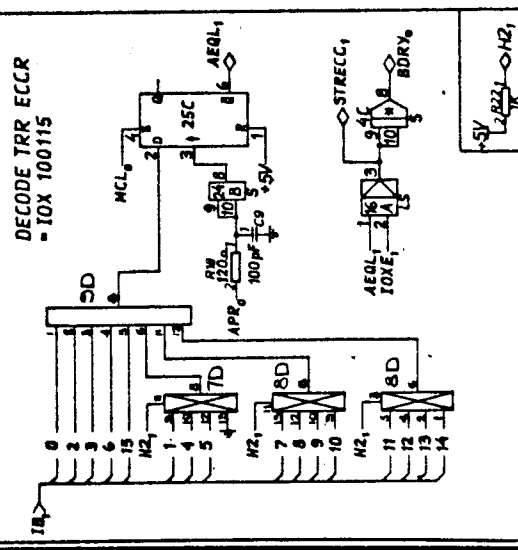
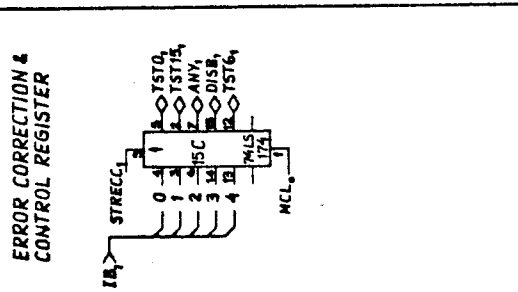
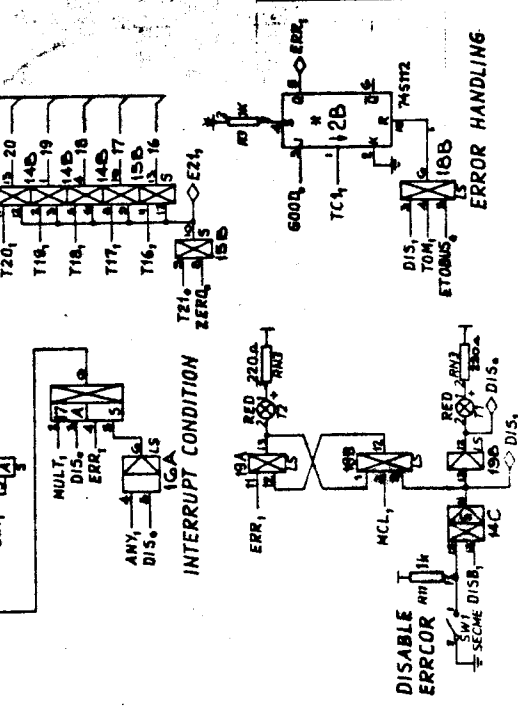
Date	Drawn by	Checked by	Page 2 of 2
3030			
N100 BUS MASTER			
NORISK DATA A-8 Oslo, Norway			

GLOBAL BUS CONTROL SIGNALS

CORRECTION CODES - GENERATE AND CHECK



TO ME	322664	DATE	28.10.81
FROM	324101	DATE	
	324102	DATE	
Page No.	3034	Page No.	2 of 3
DYNAMIC MEMORY			
Data			
WORK DATA A.S			



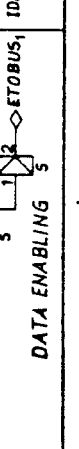
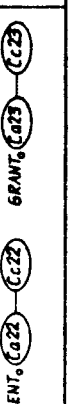
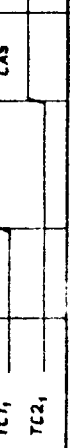
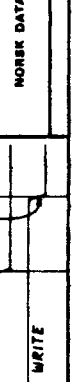
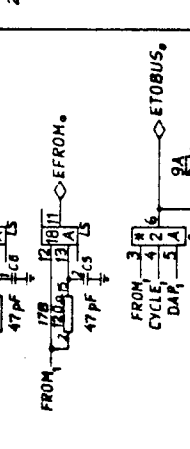
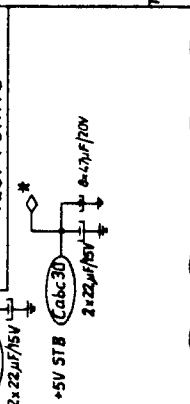
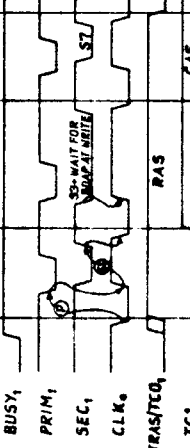
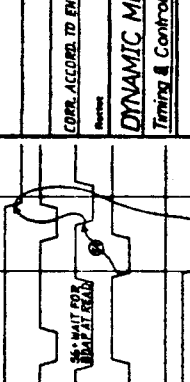
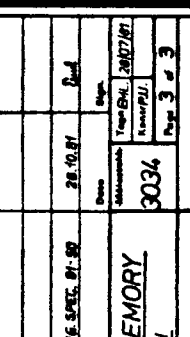
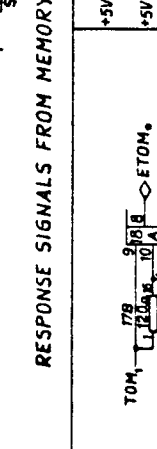
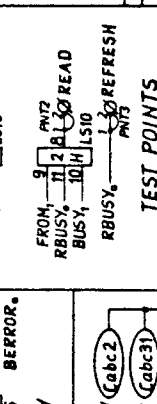
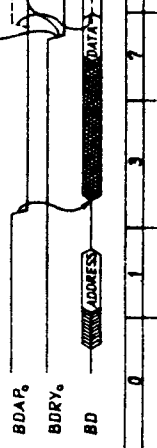
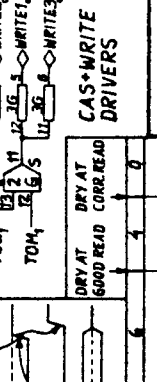
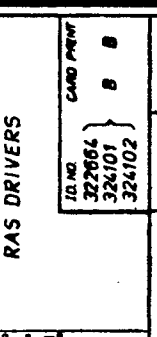
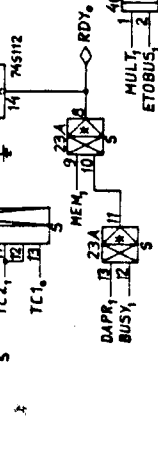
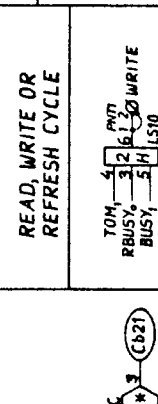
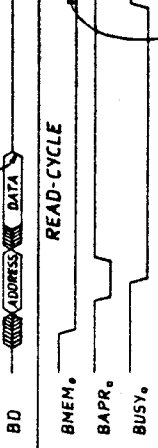
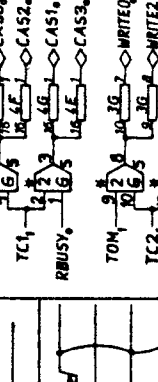
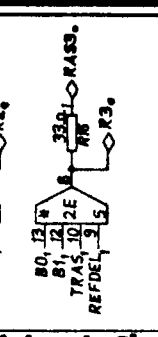
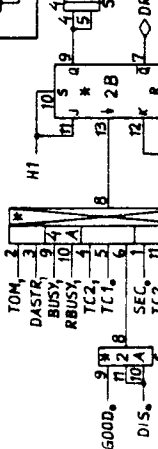
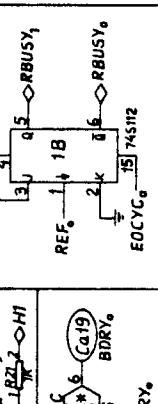
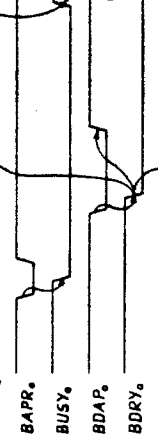
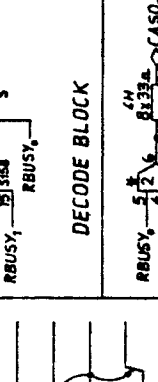
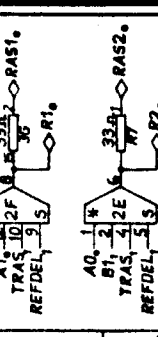
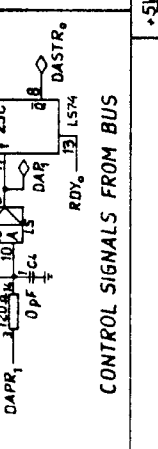
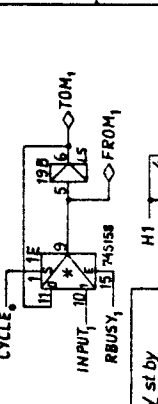
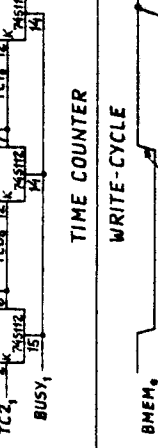
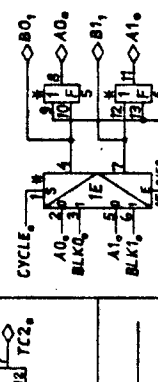
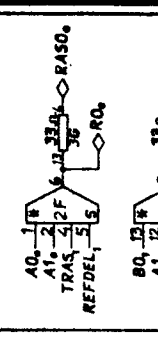
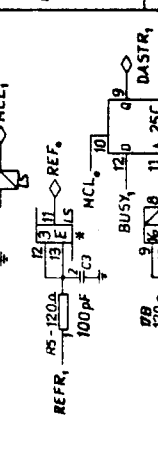
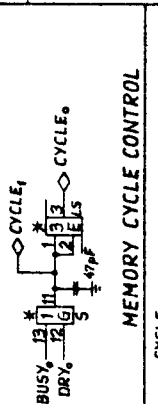
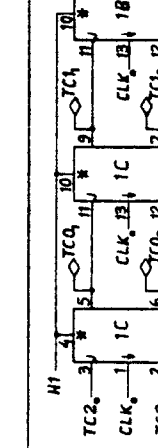
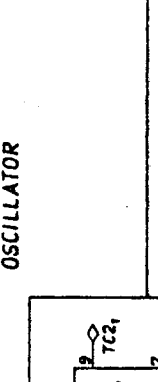
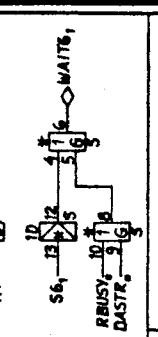
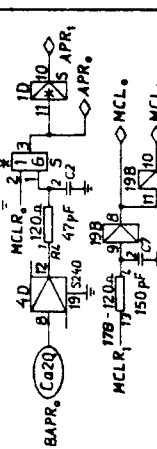
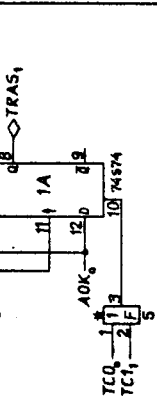
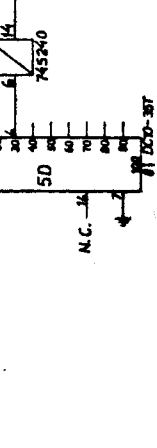
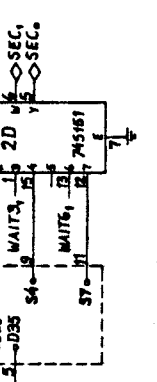
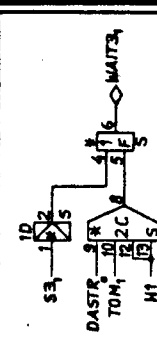
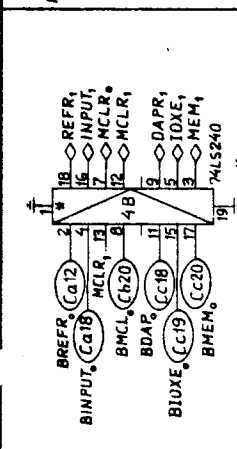
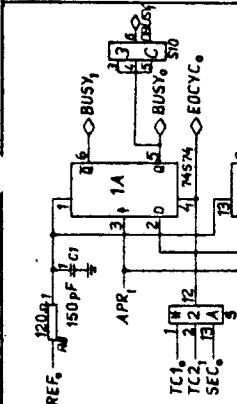
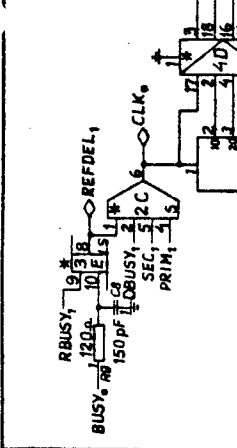
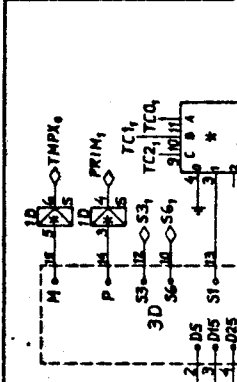
CONNECTED ACCORD TO ENV SPEC-3034

DATE: 28.10.81

Page 2 of 3

WORK DATA A.S

MIC TYPE	M	P	S1	S3	S7	S6	S4
200 MB	15	25	15	15	15	15	25
150 MB	15	15	15	15	15	15	25



TO NO. 322664
324101
324102

CARD PRINT

DATE 28.10.81

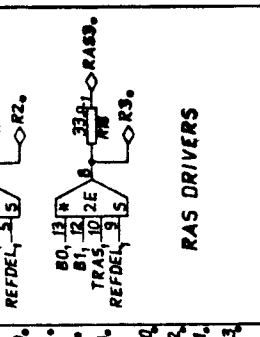
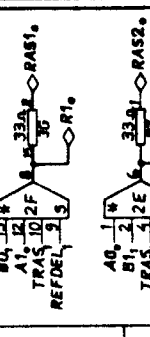
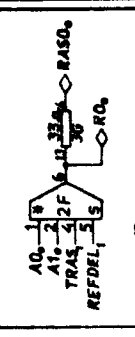
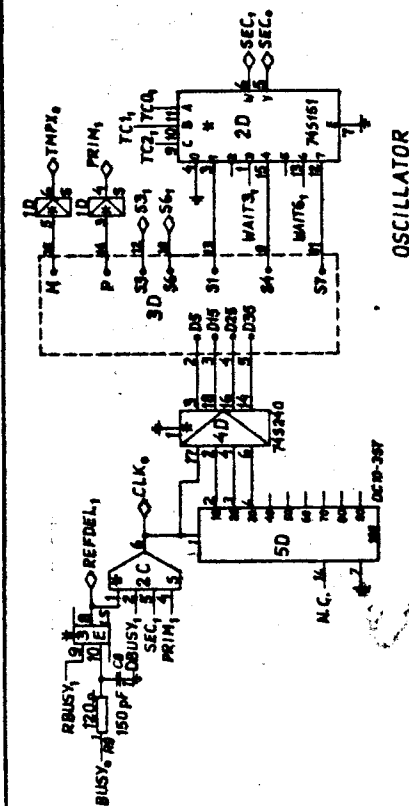
3034

DYNAMIC MEMORY

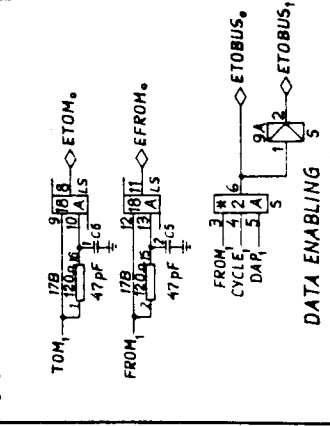
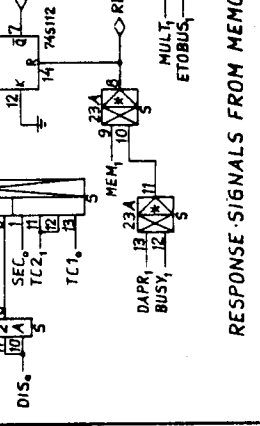
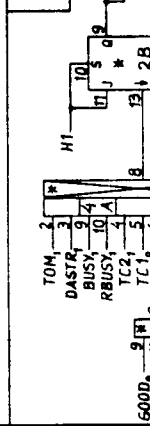
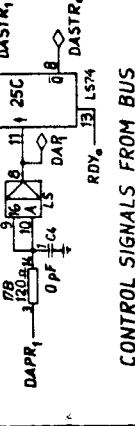
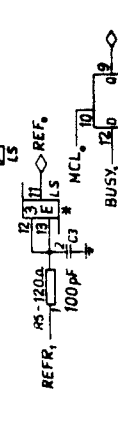
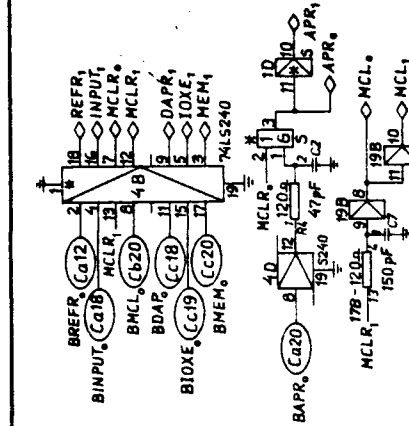
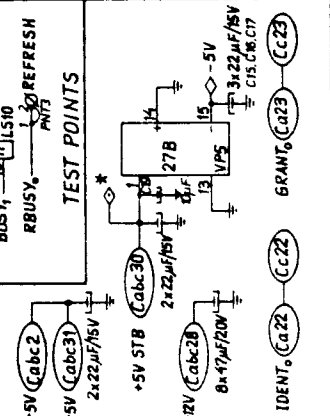
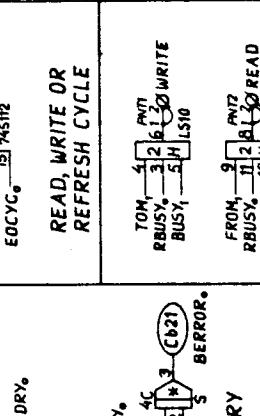
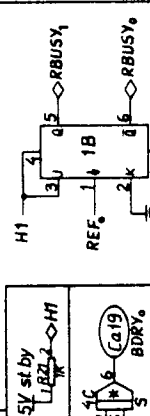
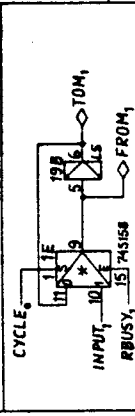
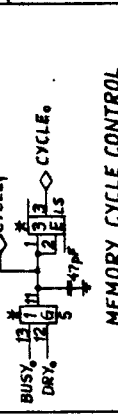
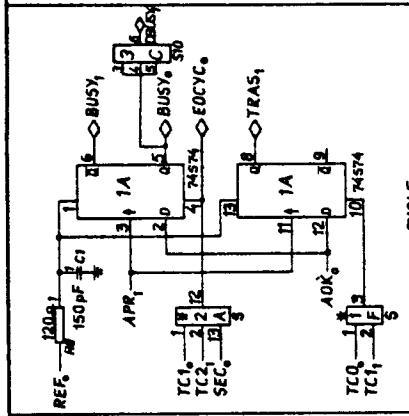
Timing & Control

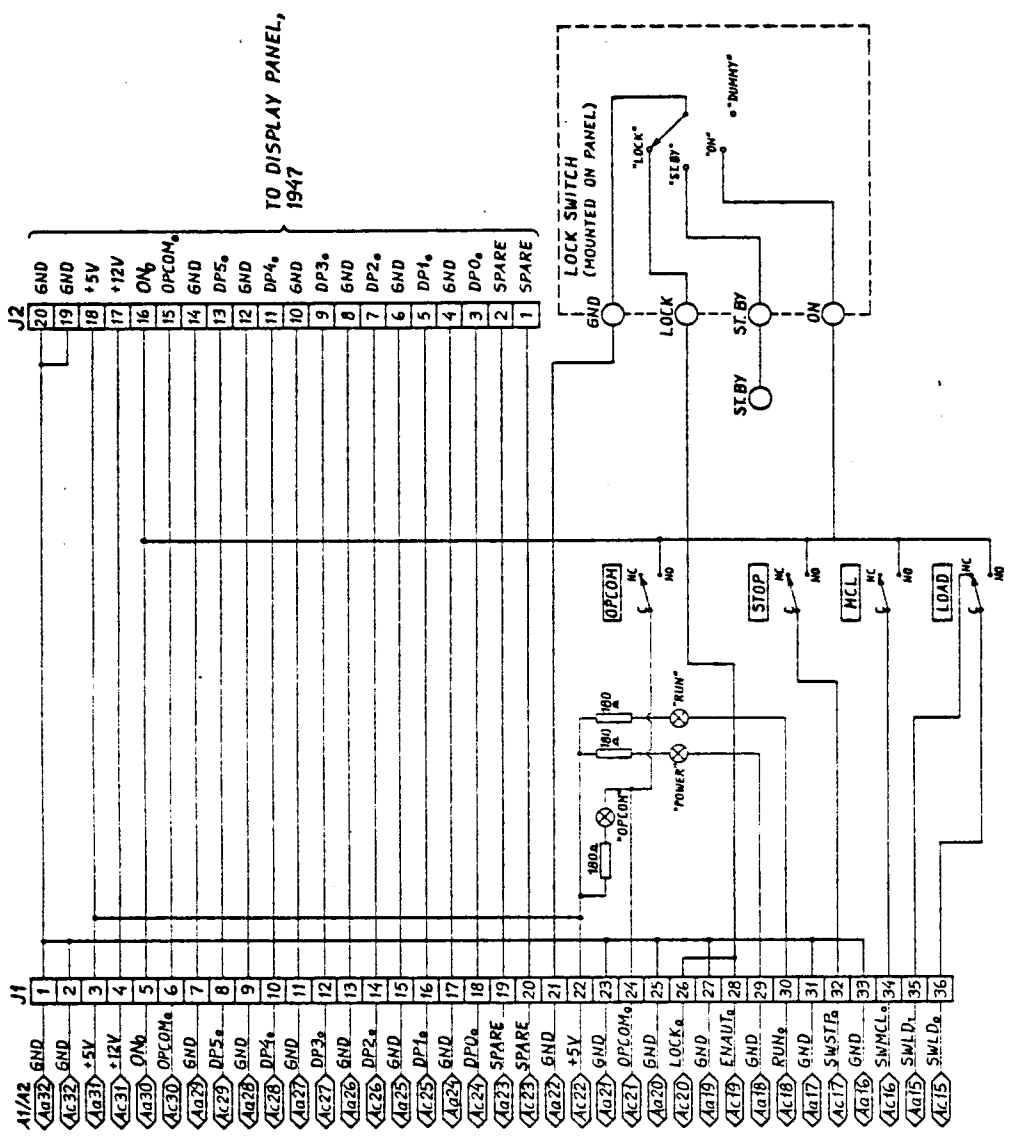
NORIK DATA A.5

MTC TYPE	M	P	S1	S7	S9	S5	S6	S4
200 MS	15	25	15	15	15	15	15	25

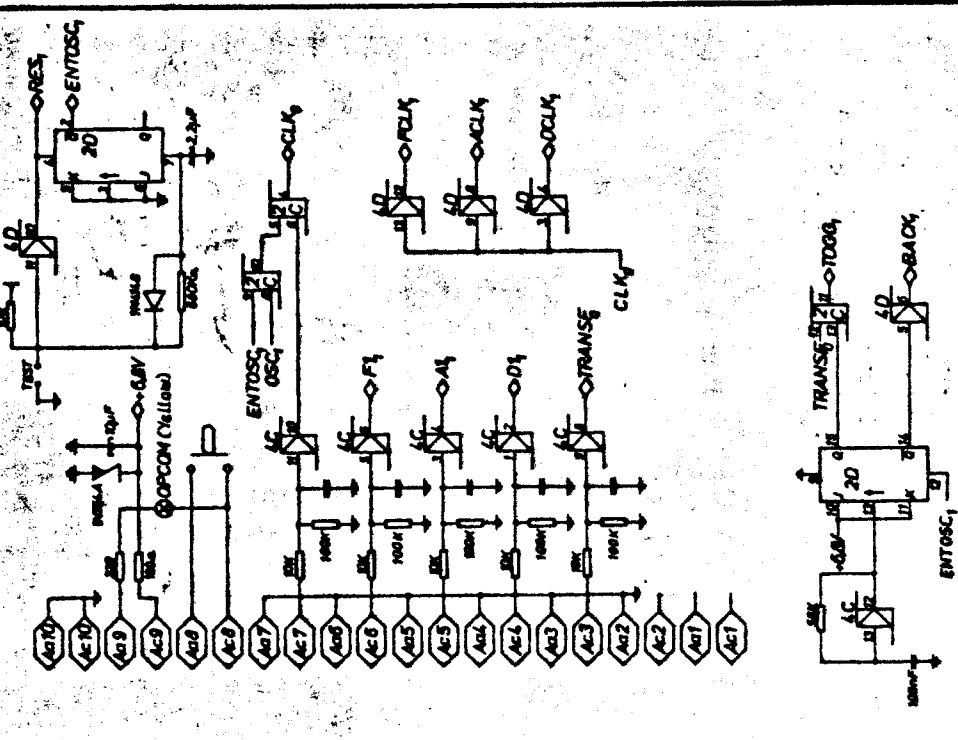
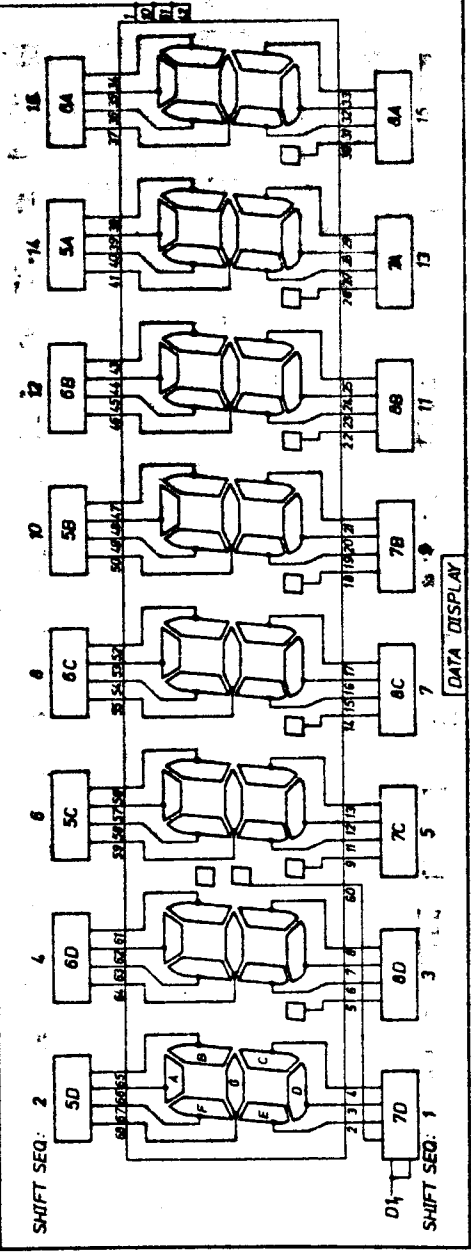
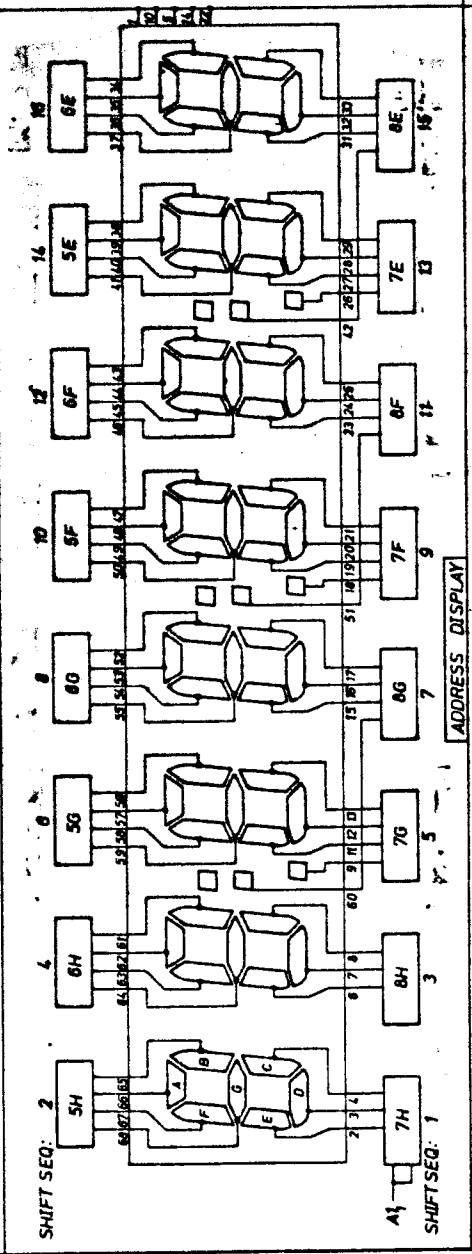
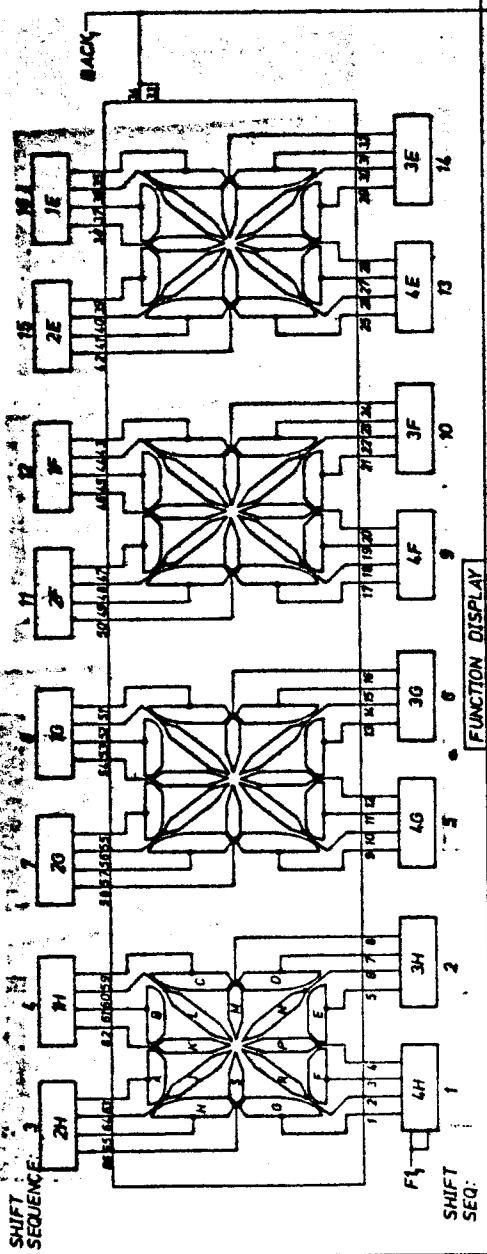


REV. NO.	322666	DATE	11.11.81
324103		DESIGN	A A
32K & 64K RAM		TIMING & CONTROL	
3036		HOBK DATA A.8	



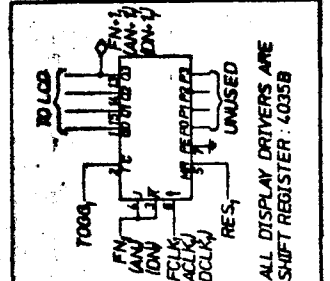


CORRECTED ACCORDING TO ECO 100-59		DATE 14.12.79		SIGNATURE BW	
CONTRACT NO.		DATE 1946		DRAWING NO. 322690	
PANEL CONTROL N-100		DATE 25.05.79		DRAWING NO. D C	
NORSK DATA AS Oslo, Norway		PAGE 1 of 1		7B30	



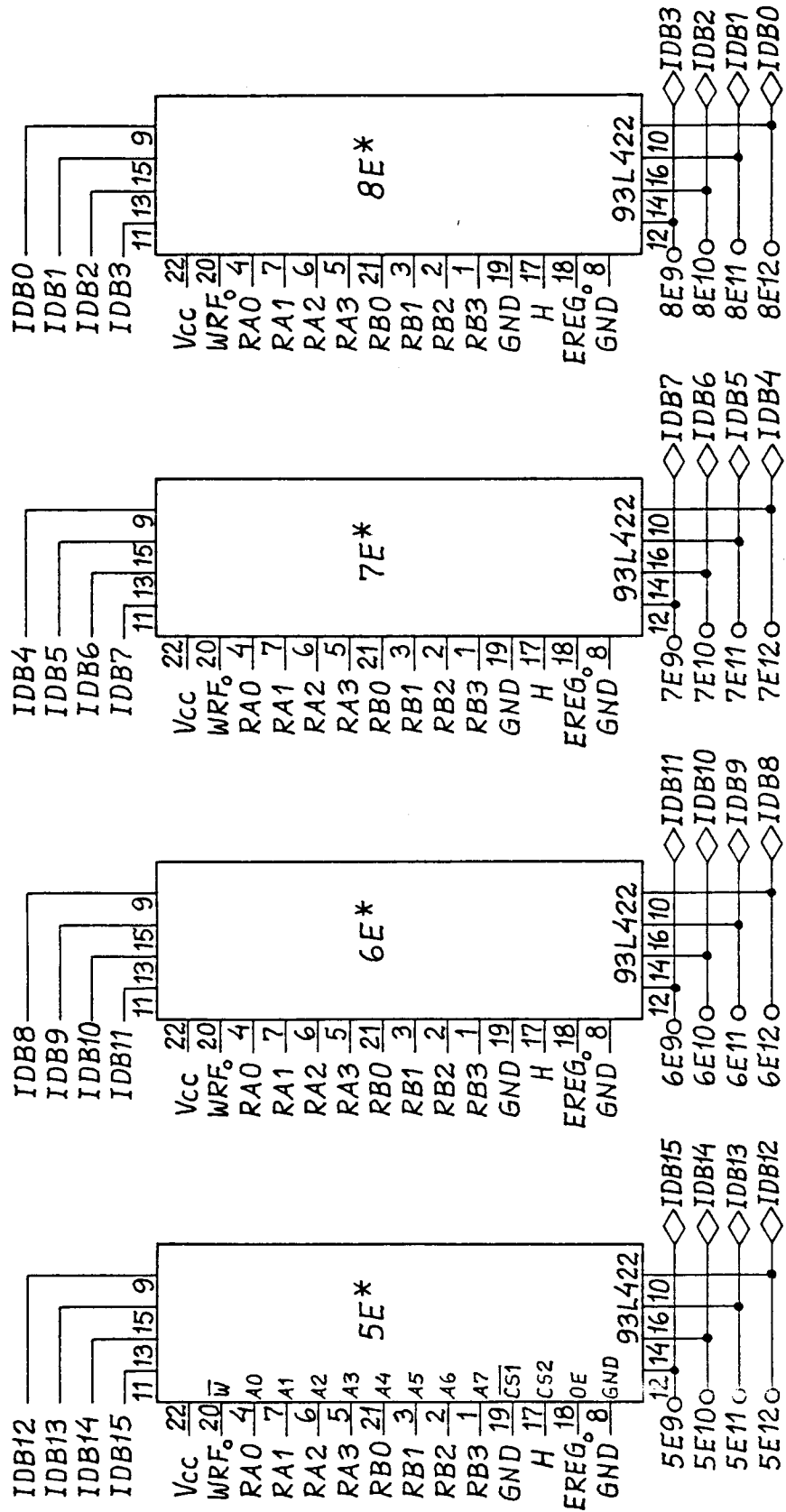
CMOS IC's
 1- DISPLAY 74180/06H or 74181
 2- DISPLAY 74181/06H or 74180

REV	DATE	BY	CHKD	APP'D
1	11/15/67	W. J. B. J.		
2	11/15/67	W. J. B. J.		
3	11/15/67	W. J. B. J.		
4	11/15/67	W. J. B. J.		
5	11/15/67	W. J. B. J.		

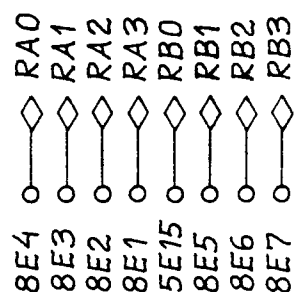


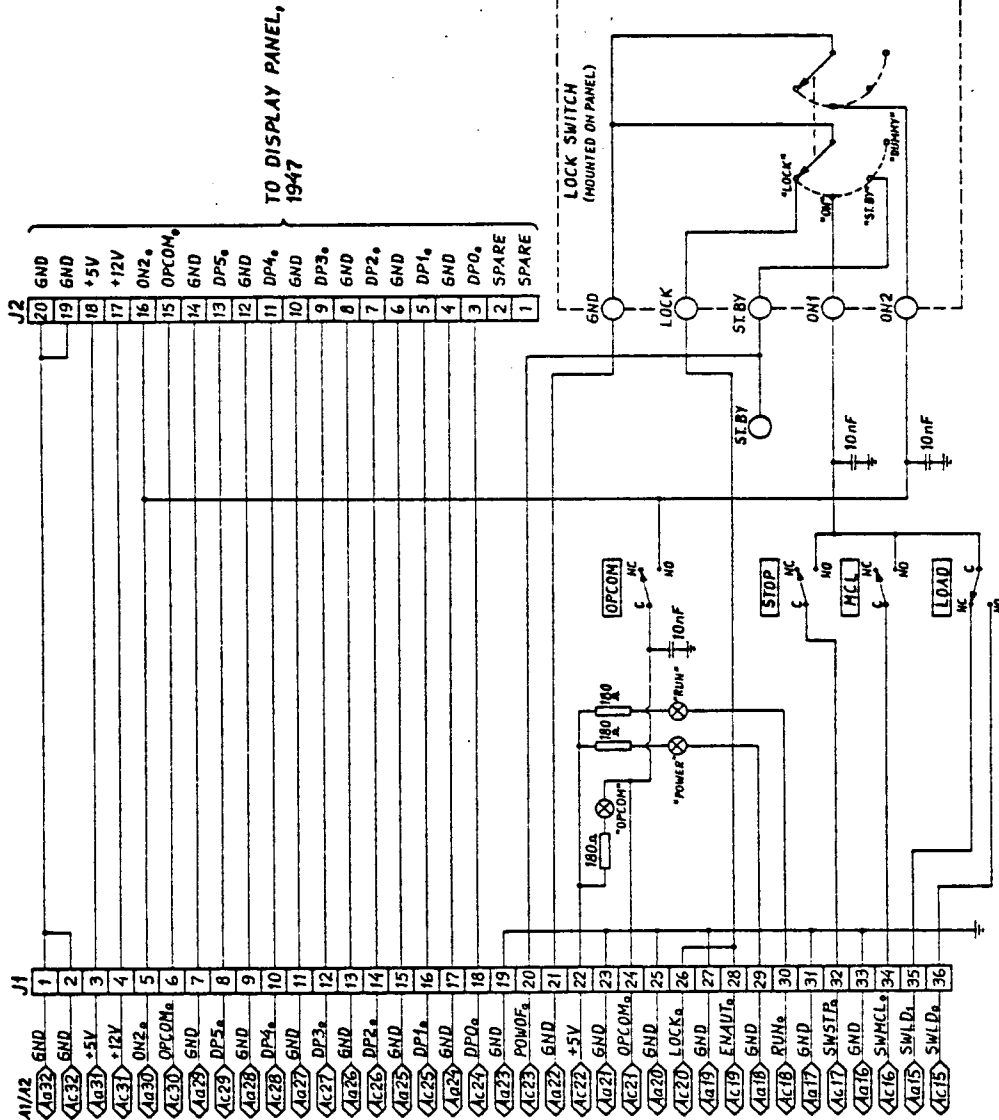
ALL DISPLAY DRIVERS ARE
 SHIFT REGISTER 4035B

4035B DATA-ELECTRONICS



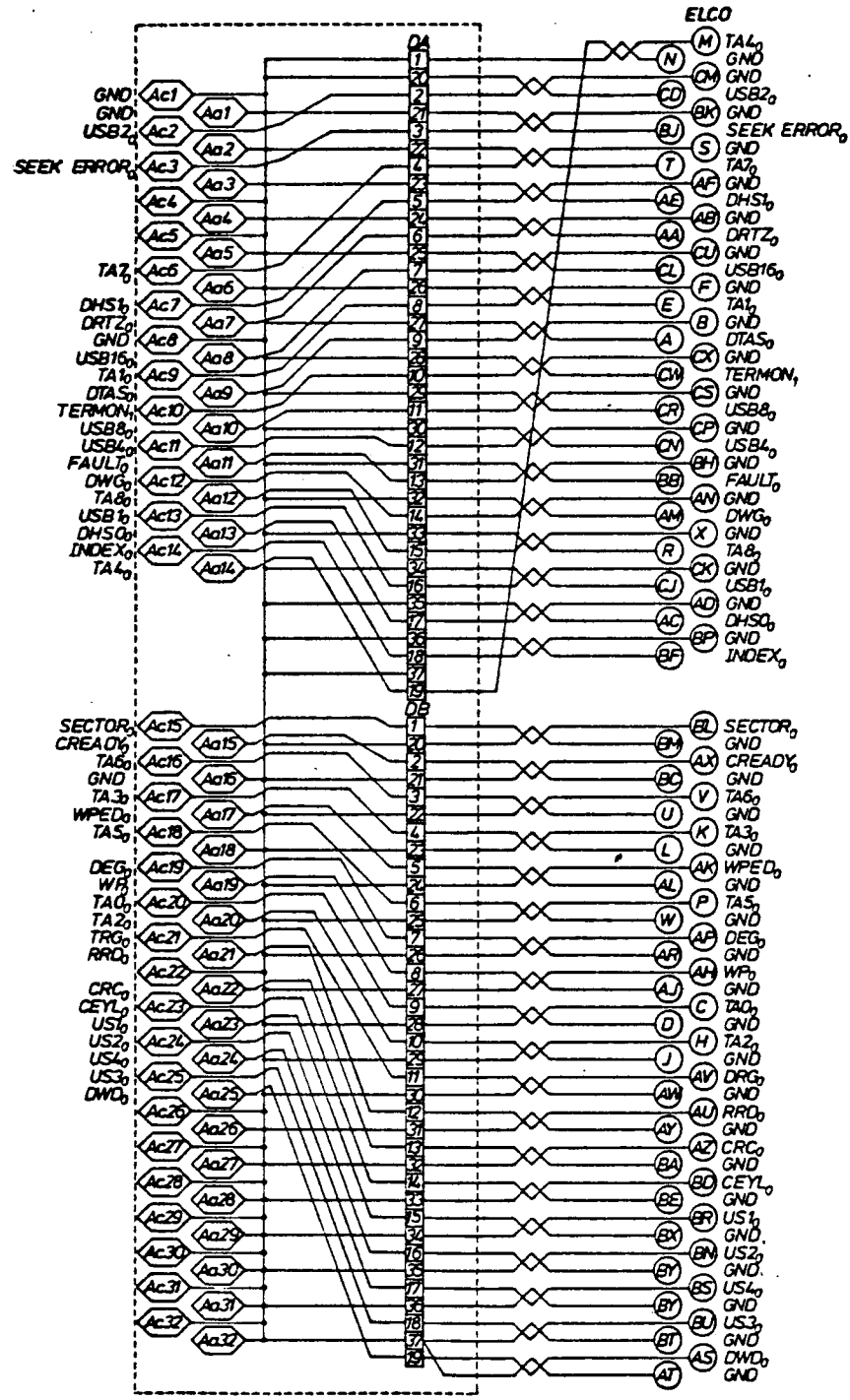
* POSITION ON DAUGHTER CARD
o SOCKET PIN ON MOTHER CARD

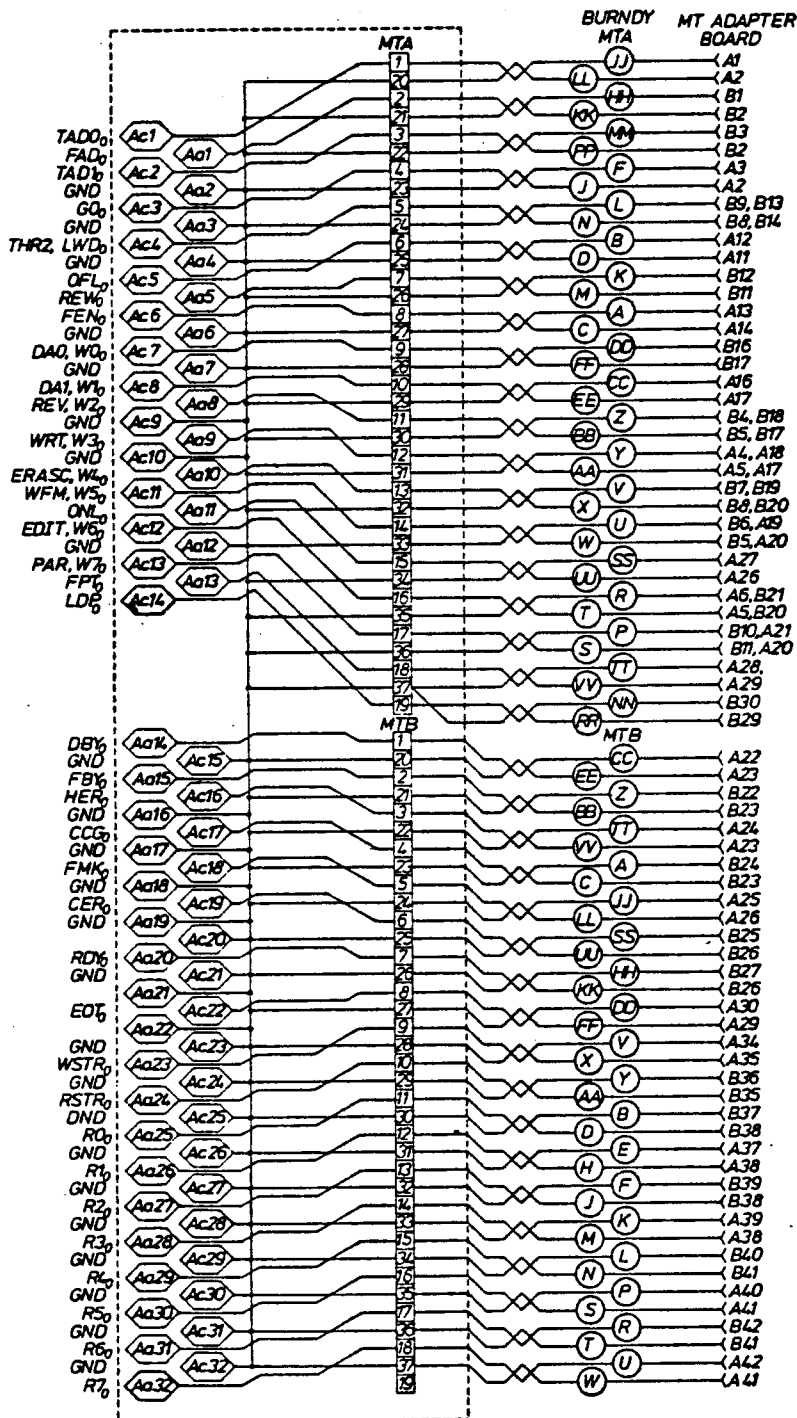




CORRECTED ACCORDING TO ECO 000-62		CARD PRINT	
322778		B A	
14 12 79		9W	
Date		Elev	
Printed on		Drawn (Scale) 25 05 79	
1964		Conn. SEJ	
Page 1 of 1		Replacement for 322650 IC	
PANEL CONTROL N-100		NORSK DATA A/S Oslo, Norway	
		7831	
		Designed by	

BOARD	CARD	PRINT	B
322792	B	B	
Date	Print no	Form	Rev
	1965	BW 28079	SEI
Checked	Approved	Supervisor	
10MB DISK CABLE ADAPTER			7832
NORSK DATA A/S			Oslo, Norway





TD NO	CARD PRINT				
32793	B	B			
Date	Project	Drawn	Checked	Approved	
		BM29879			
		1966	SEJ		
PERTEC M-T CABLE ADAPTER					
NORSK DATA A/S Oslo, Norway					
7833					

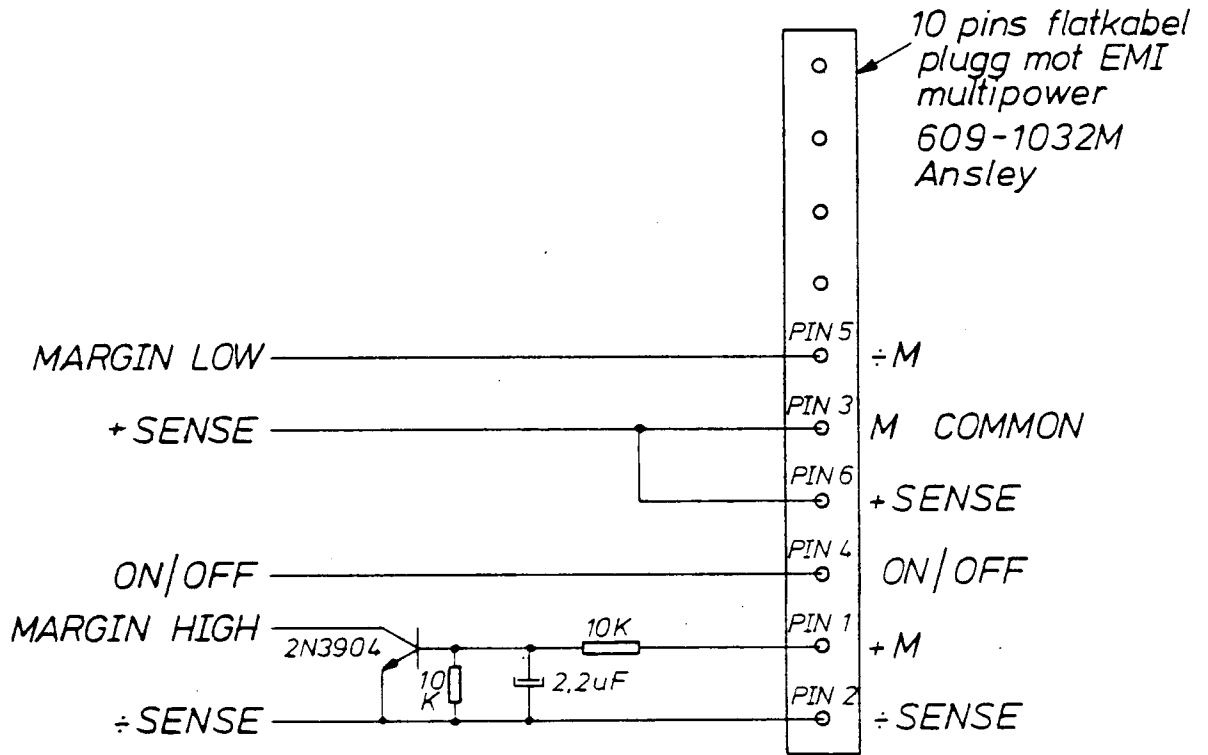
NORSK DATA A.S
Oslo, Norway

Title

LH ADAPTER

IDNO CARD PRINT

322795 A A



DRAWN BY BW

APPROVED BY KA

DATE 19.10.79.

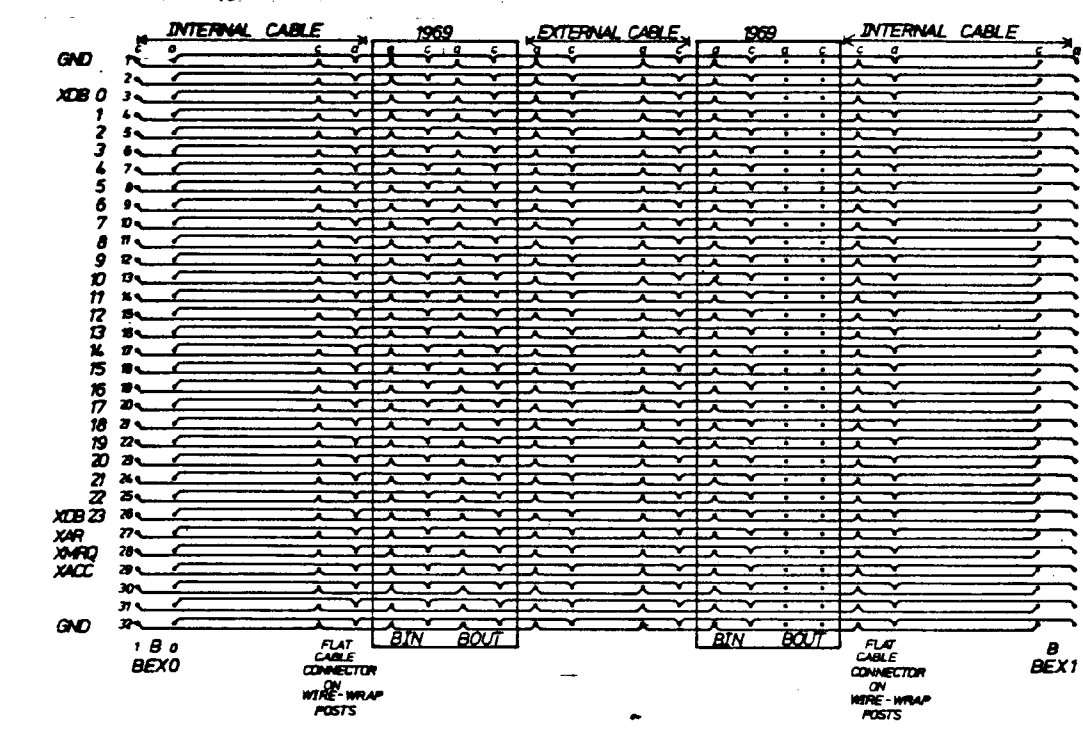
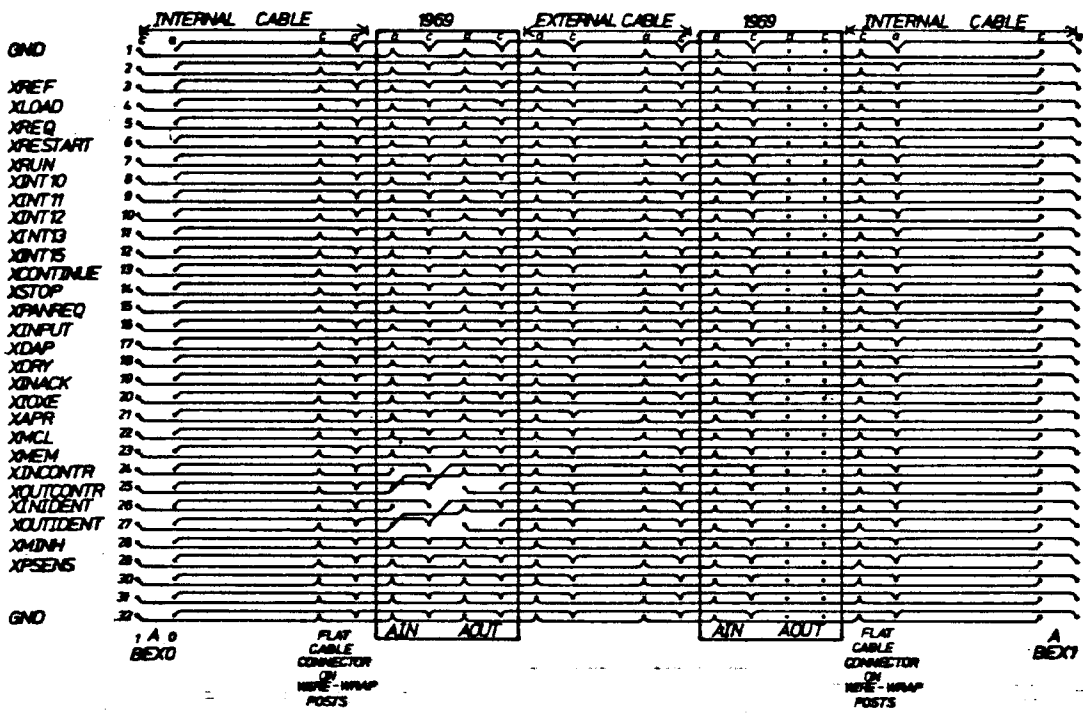
Remarks

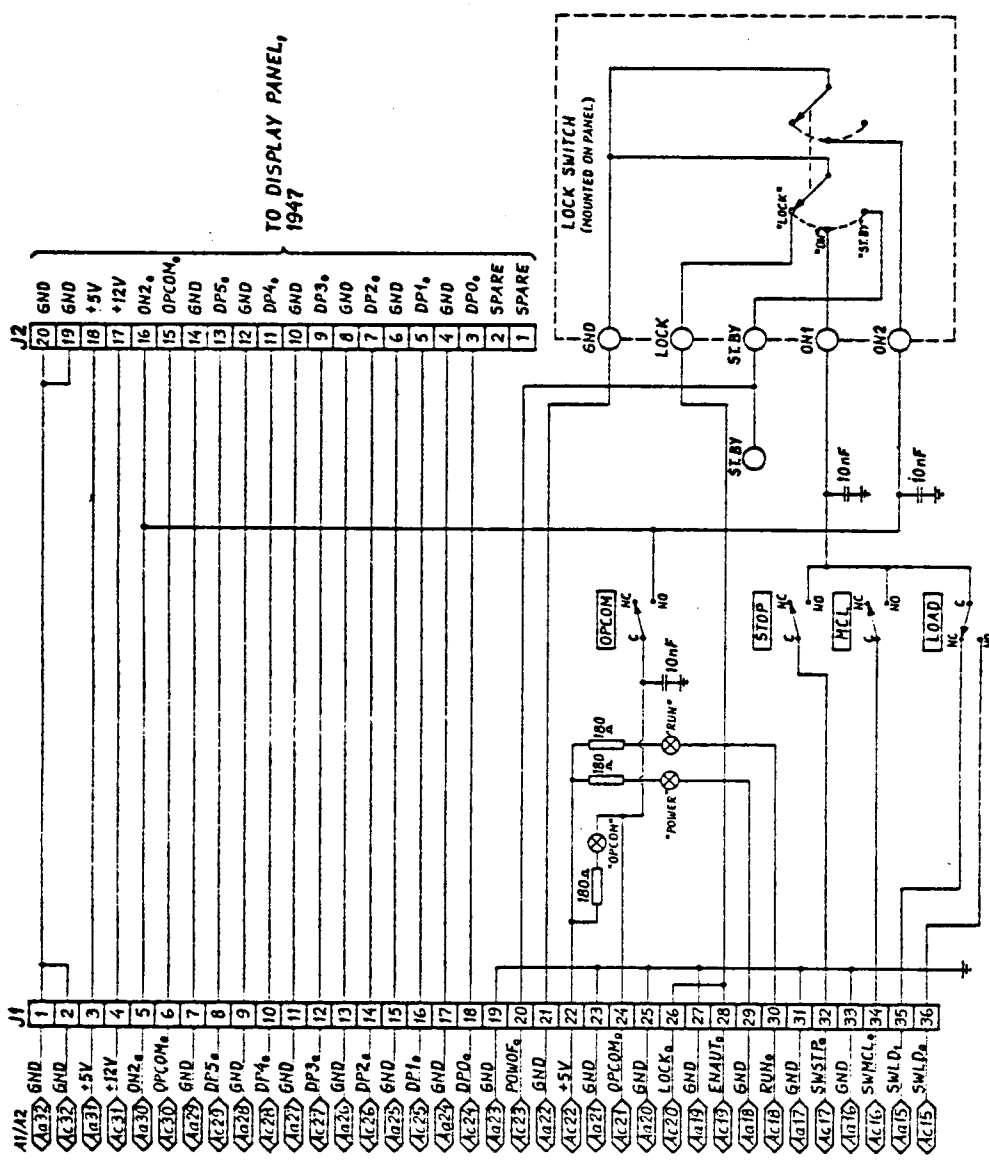
PRINT 1968

Replacement for Date

Replaced by Date

CAND PART		A A	
ID NO:	322776	Date	1969
Drawn by	AL	Checked by	AL
Project No	1969	Page	1 of 1
CABLE DIAGRAM FOR BUS EXPANDER		NOBBK DATA A.B Oslo, Norway	





TO DISPLAY PANEL,
1947

IO INC 322693	CARD FRONT A A	Page	Page
		Printed on 1981	Drawn by 02.07.80
		Checked by N-102	Checked by 3.27.81
PANEL CONTROL N-102		NORSK DATA A.S Oslo, Norway	