

Publication Title: BJ7XXPublication Number: 83308600 Manual Preliminary Revision: AG

Instructions: The attached pages contain replacement information. Insert the attached pages into the appropriate place. Do not discard current manual sheet (back-up page information is not supplied with this packet). All changes contained in this preliminary packet will be in the released revision.

REV	REWORK NUMBER	ECO/FCO NUMBER	DESCRIPTION	PAGES AFFECTED
01	s/c 37	ECO 60337	Add Ground wire to Brake	3-30, 3-31.1 3-31.2
02	s/c 37	ECO 60332	Add Xducer Stop	3-24, 3-25

11171121

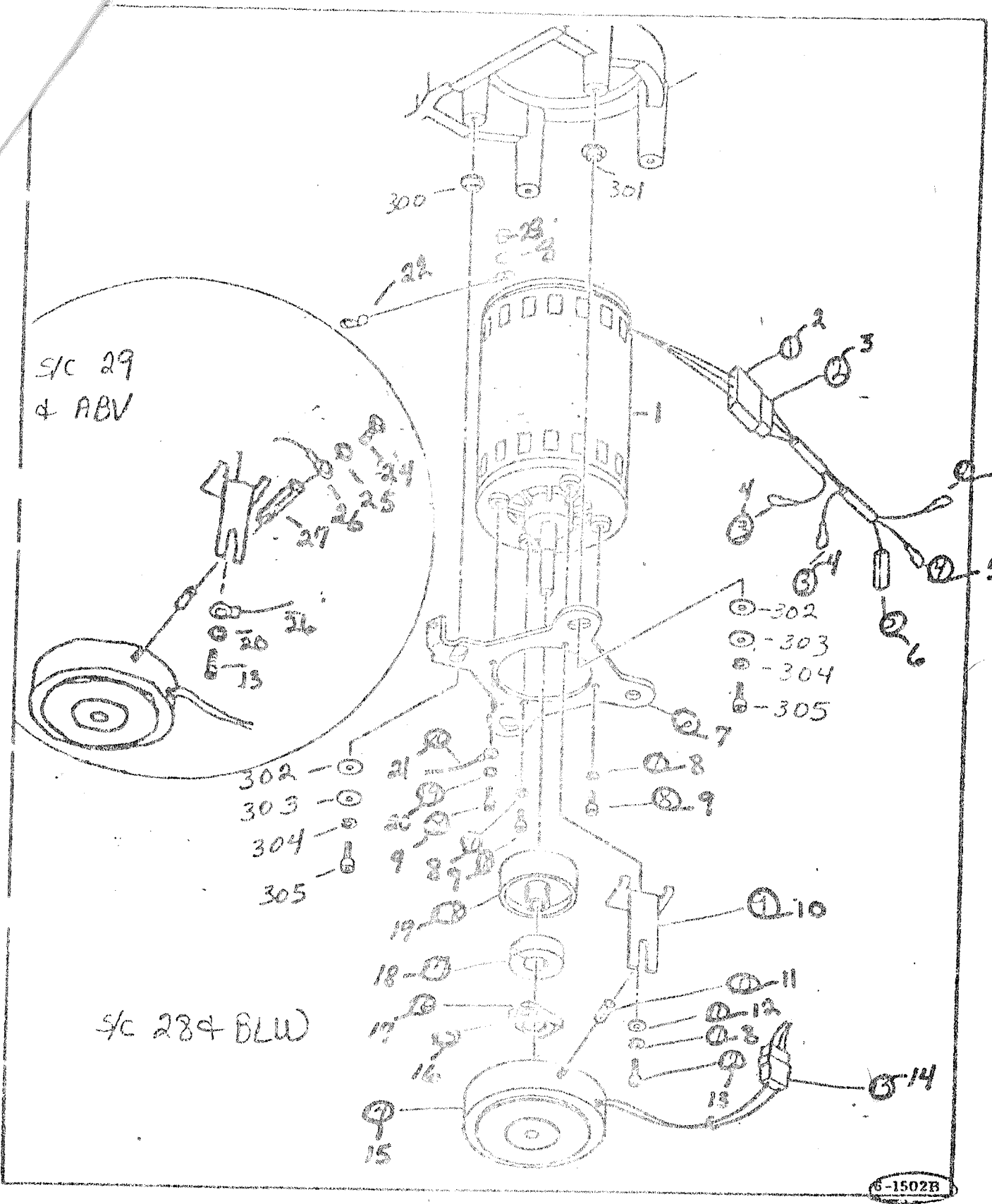


Figure 3-5 A. Drive Motor And Brake Assemblies

3-30 AG

Eric 60337

23308600

EX O.	PART NUMBER	PART DESCRIPTION	NOTES
3-30 DRIVE MOTOR AND BRAKE ASSEMBLIES			
	#	DRIVE MOTOR ASSEMBLY (A3DMI)	
1	7739	MOTOR, End Mounting	60 Hz, 120 V AC
1	7739	MOTOR, End Mounting	60 Hz, 100 V AC
1	7739	MOTOR, End Mounting	50 Hz, 100 V AC
1	9201	MOTOR, End Mounting	50 Hz, 220/240 V AC
2	7394	CONNECTOR, Pin Housing (3 Pin) (P304)	
		(ASSOCIATED PARTS)	
	9394	CONTACT, Pin	
		----- * -----	
		W6 CABLE ASSEMBLY (See Figure 3-22, Sheet 1 For Part Number)	
3	9394	CONNECTOR, Socket Housing (3 Pin) (J305)	
		(ASSOCIATED PARTS)	
	9394	CONTACT, Socket	
		----- * -----	
4	9364	CONNECTOR, Quick Connect	
5	9364	CONNECTOR, Quick Connect	
6	9394	CONNECTOR, Pin Housing (1 Pin) (S302)	
		(ASSOCIATED PARTS)	
		CONTACT, Pin	
		----- * -----	
7	76409	PLATE, Motor Mounting	
8	10125	WASHER, #8 Spring Lock	
9	10126	SCREW, 8-32 x 1/2 Hexagon Socket Head	
10	73053	BRACKET, Brake Mount	
11	94165	TUBING, Plastic	
12	93210000	WASHER, # 8 Stainless Steel Flat	
13	10126227	SCREW, 8-32 x 5/8 Hexagon Socket Head	
	# #	HYSTERESIS BRAKE ASSEMBLY	
14	73948064	CONNECTOR, Pin Housing (2 Pin)	
		(ASSOCIATED PARTS)	
	73942023	CONTACT, Pin	
		----- * -----	
15	94382300	BRAKE, Hysteresis	

NO. AG

ECO 60337

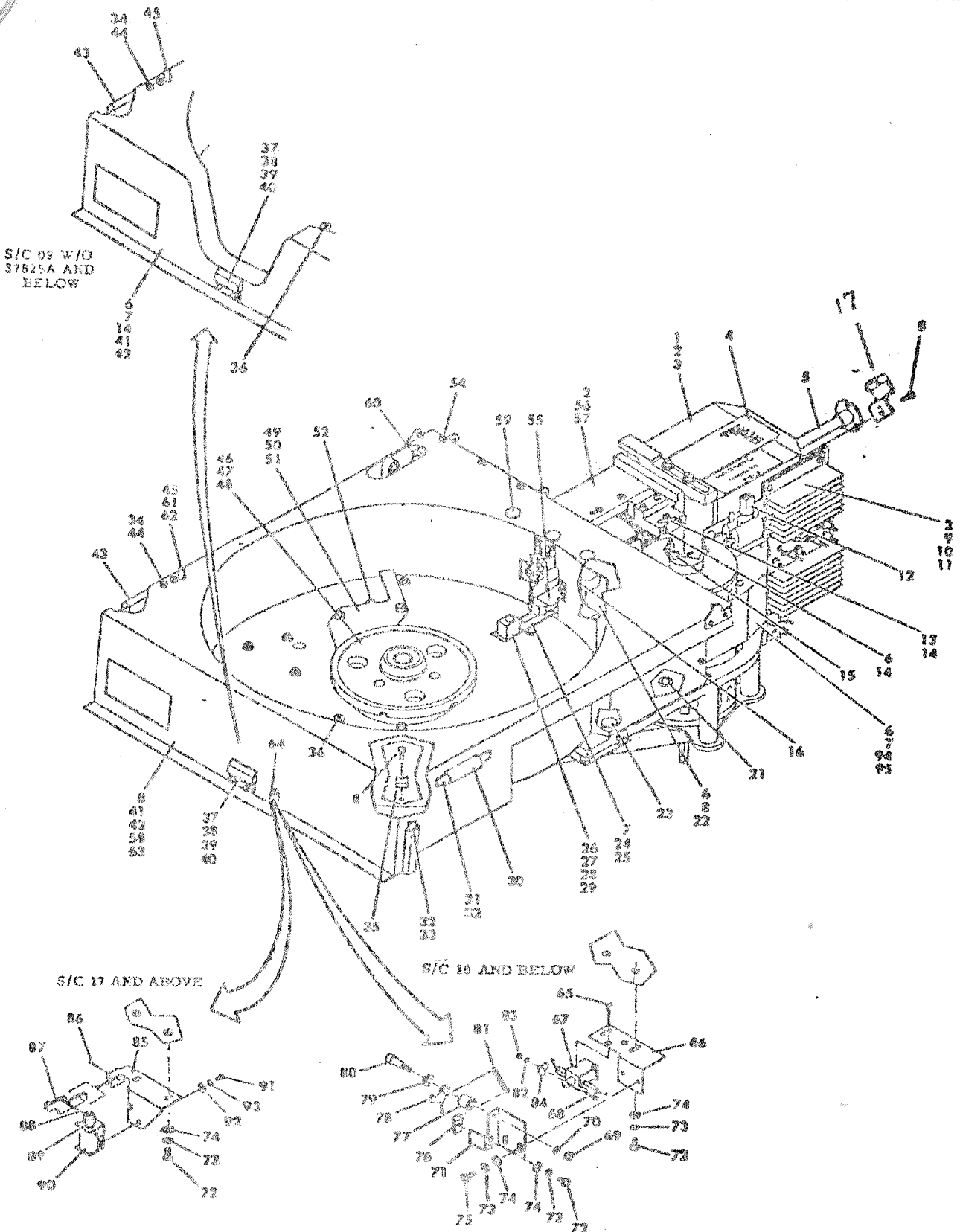
83308600

3-31-1

NO.	PART NUMBER	PART DESCRIPTION	NOTES
3-30		DRIVE MOTOR AND BRAKE ASSEMBLIES (Contd)	
16	73044100	COLLAR, Brake	
17	92005200	SCREW, 8-32 X 3/4 Socket Head	
18	93287009	COLLAR, Shaft	
19	76051302	PULLEY, Motor	60 Hz
19	76051303	PULLEY, Motor	50 Hz
20	10126104	WASHER, #8 Internal Tooth Lock	
21	94281404	CABLE, Ground	Used on all units except BK4B7B, BK5A1K, BK5A7M, BK5A9U & BK5C1F only
22	93841012	CABLE, Ground (ASSOCIATED PARTS) TERMINAL, Ring Tongue	Used on BK4B7B, BK5A1K, BK5A7M, BK5A9U & BK5C1F only
23		NUT, Hexagon	Supplied with Motor
24	10129361	SCREW,	
25	10126105	WASHER,	
26	97599946	JUMPER ASSEMBLY (ASSOCIATED PARTS) TERMINAL, Ring Tongue	
27	73098800	STANDOFF, Motor Brake Ground	
		(ITEMS LISTED BELOW ARE NOT PART OF THE DRIVE MOTOR AND BRAKE ASSEMBLIES)	
300	75062810	WASHER, Shoulder	
301	75062805	WASHER, Shoulder	
302	75062400	WASHER, Insulator	
303	94047052	WASHER, Special	
304	10125805	WASHER, #10 Spring Lock	
305	10124835	SCREW, 10-24 X 5/8 Socket Head	

ECO 60337

83308600



6-POM(1)

FIGURE 3-4. DECK ASSEMBLY (SHEET 2)

AG 02

83308600

ECO 60392

DEX O.	PART NUMBER	PART DESCRIPTION	NOTES
		DECK ASSEMBLY (SHEET 2)	
	10126234	SCREW, HEX, SOCKET HEAD, CAP, 10-24 x 1/2	
	10125805	WASHER, SPRING LOCK, 10	
3		MAGNET ASSEMBLY (SEE FIG. 3-7)	
4	75257100	COVER, MAGNET	
5	##	TRANSDUCER ASSEMBLY	
6	10125805	WASHER, PLAIN, 6	
7	10125803	WASHER, SPRING LOCK, 6	
8	93749162	SCREW, PAN HEAD, MACHINE, 6-32 x 3/8	
9		POWER-AMP ASSEMBLY (SEE FIG. 3-8)	
10	10127131	SCREW, PAN HEAD, 10-24 x 3/8	
11	75259901	POWER AMP CABLE, W/O	
12	94309803	POB, TERMINAL INSULATING	
13	92402001	CLAMP, CABLE, NYLON	
14	10127112	SCREW, PAN HEAD, 6-32 x 5/16	
15	94241008	CLIP, CABLE, (ADHESIVE BACK)	
16	94001102	TAPE, FOAM	
17	73072900	STOP, TRANSDUCER SAFETY	
18		NOT USED	
19		NOT USED	
20		NOT USED	
21	15012412	BUSHING, SNAP-IN	
22	##	COMPONENT ASSEMBLY, -EON	
23	94351204	CAPS AND PLUGS, PLASTIC	
24	NFR	RAIL, BOTTOM	
25	10126220	SCREW, HEX SOCKET HEAD, CAP, 6-32 x 5/8	
26	75070600	BLOCK-STOP	
27	75070700	STOP, BUMPER	
28	10126226	SCREW, HEX, SOCKET HEAD, CAP, 8-32 x 1/2	
29	10125804	WASHER, SPRING LOCK, 8	
30	76423503	GASKET, SIDE, SHROUD (LEFT)	
31	76423400	STIFFENER, GASKET (LONG)	
32	95655516	SCREW, SHEET METAL, 6-20 x 3/8	
33	76423404	STIFFENER, GASKET (SHORT)	
34	10126103	WASHER, INTERNAL TOOTH, LOCK, 6	
35	76031600	BLOCK-STOP	
36	##	SPEED SENSOR ASSEMBLY	
37	76516700	CATCH, SWITCH, MOUNTING BRACKET	S/C 07 W/O 37651 & BLW
37	76 27700	CATCH, PACK ACCESS COVER	S/C 07 W/ 37651; S/C 08-16
37	76127702	CATCH, PACK ACCESS COVER	S/C 17 & ABV
38	92004120	SCREW, MACHINE, PAN HEAD, 4-40 x 5/16	
39	12111105	WASHER, FLAT	
40	10125801	WASHER, SPRING LOCK, 4	
41	77815200	SHROUD-PACK	S/C 09 W/O 37825A & BLW
41	77824400	SHROUD-PACK	S/C 09 W/ 37825A; S/C 10-16
41	47437900	SHROUD, PACK	S/C 17 & ABV
42	76024900	GASKET, SHROUD	S/C 09 W/O 37825A & BLW
42	77824500	GASKET, SHROUD	S/C 09 W/ 37825A & ABV
43	76423501	GASKET-SIDE, SHROUD (RIGHT)	
44	92004121	SCREW, MACH, PAN HD, 6-32 x 5/16	
45	##	SWITCH, INTERLOCK	
46	10125807	WASHER, SPRING LOCK, 5/16	
47	12723396	SCREW, BUTTON, SOCKET HEAD	
48		SPINDLE ASSEMBLY (SEE FIG. 3-9)	
49	92473005	NYLINER, SNAP-IN	

AG 02

83308600 *K

ECO 60392